

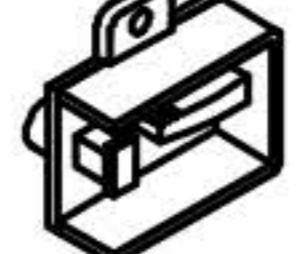
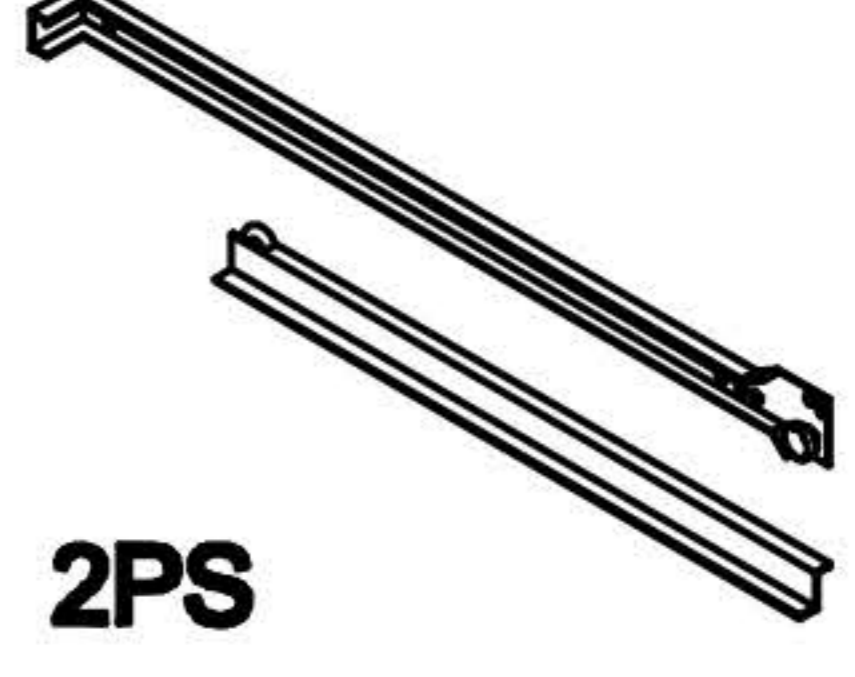
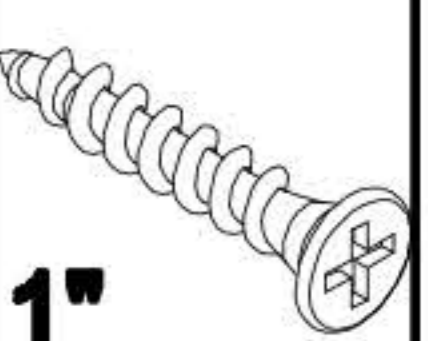
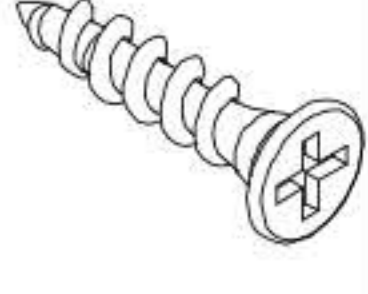
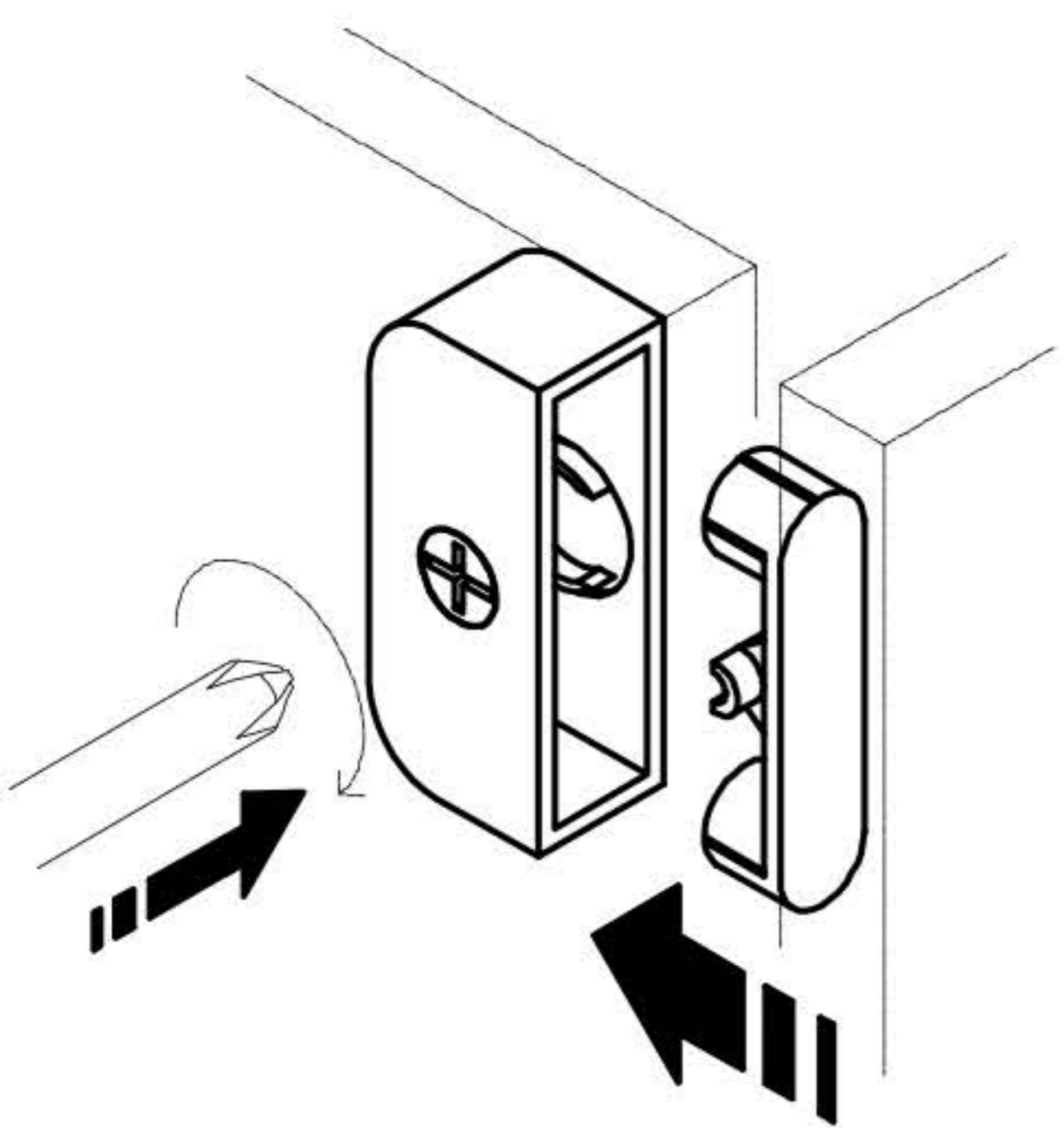


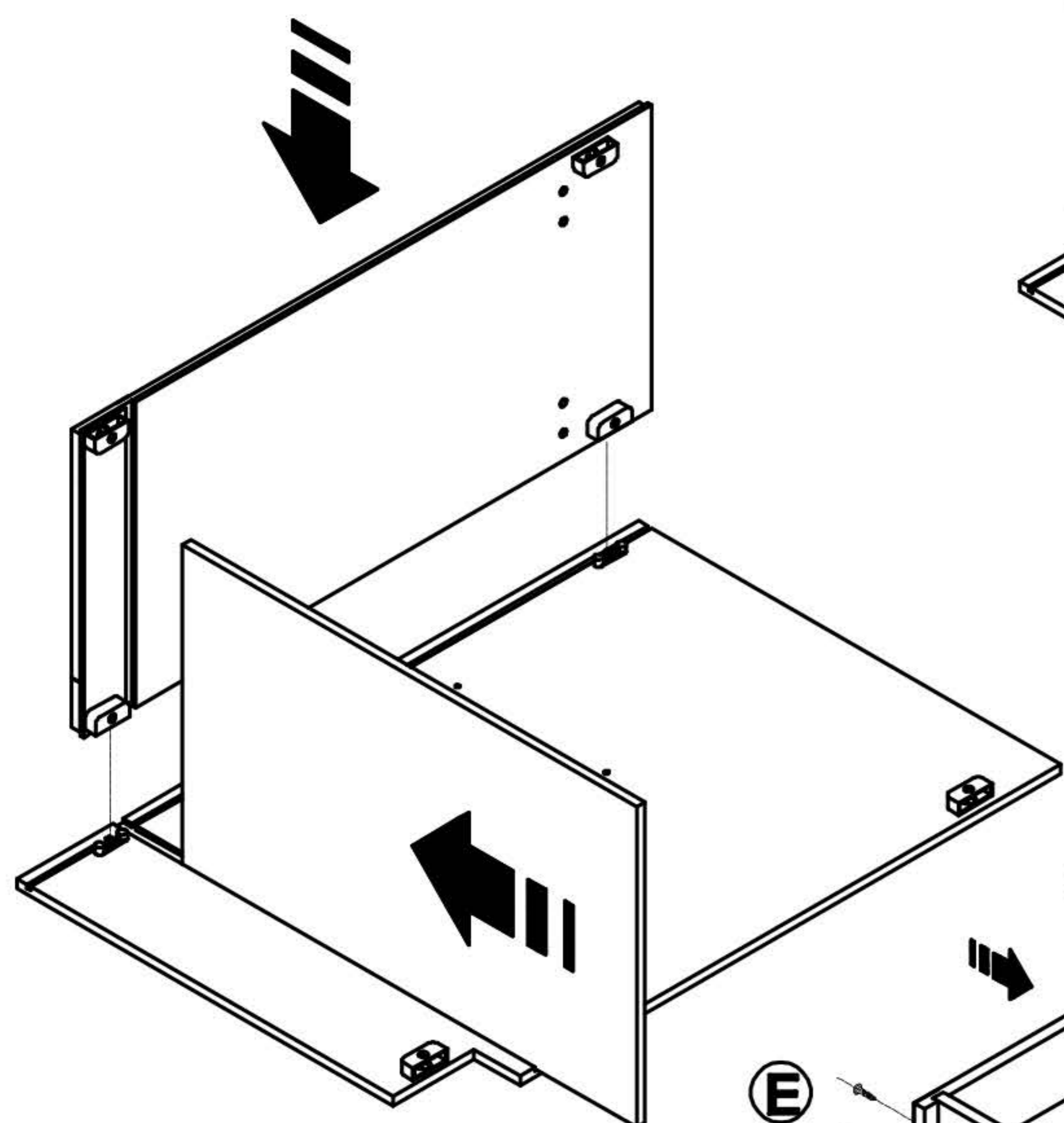
## Mocha Shaker Pg. 1

Code	A	B	C	D	E	F
Icon						
Number	4PS	6PS 1 1/2"	2PS	2PS	8PS 1"	6PS 5/8"

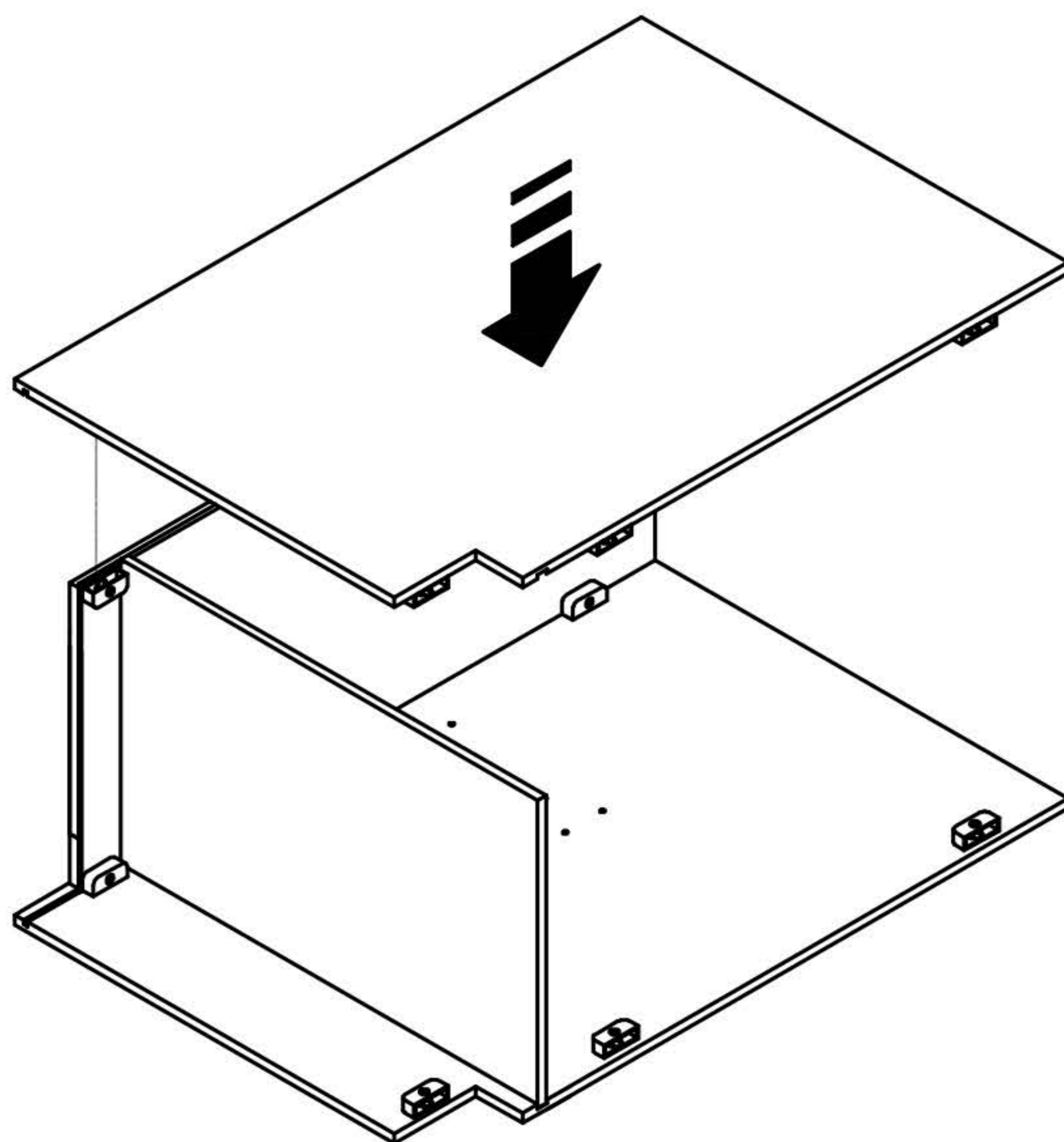
B09, B12, B15, B18, B21



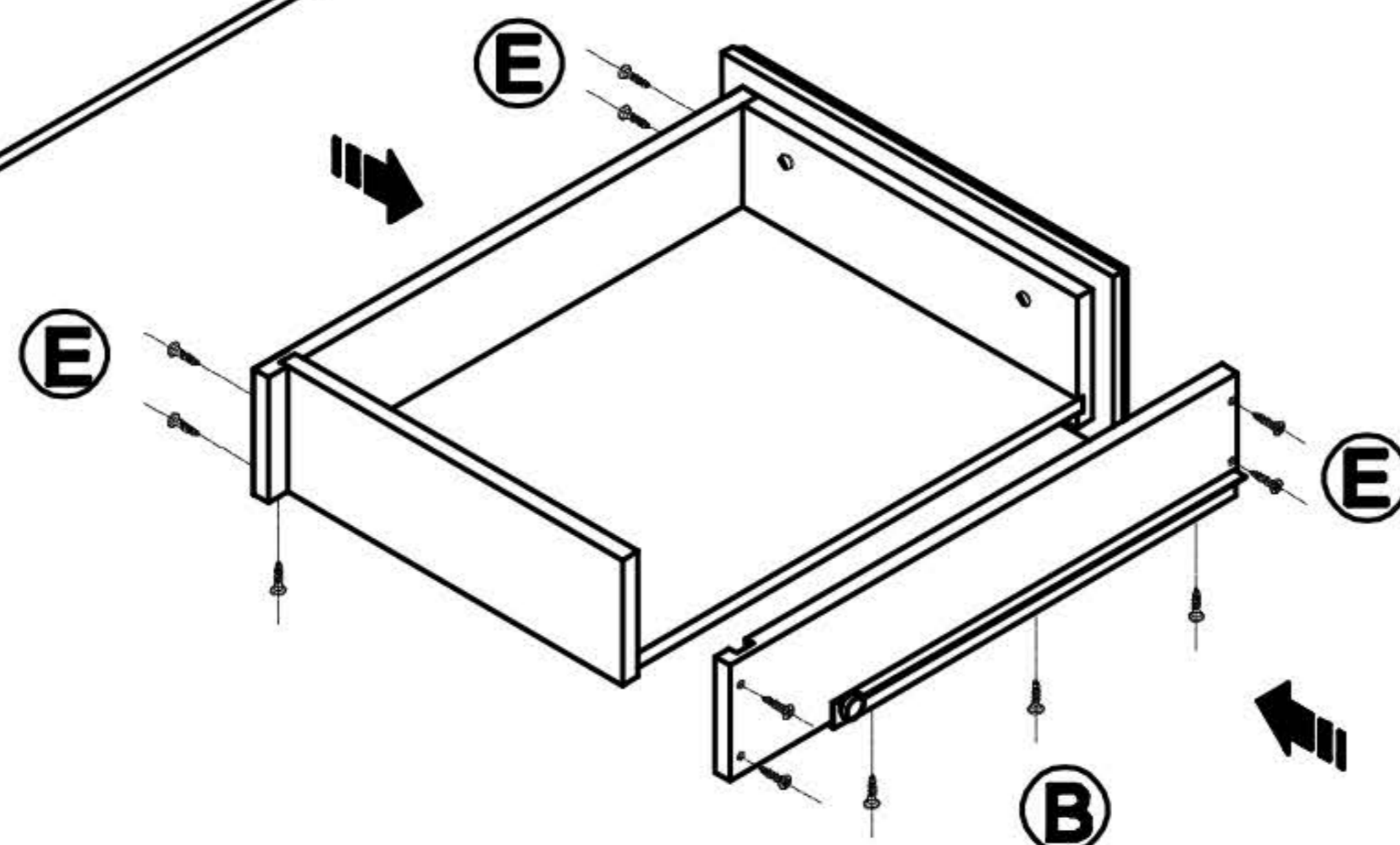
Example



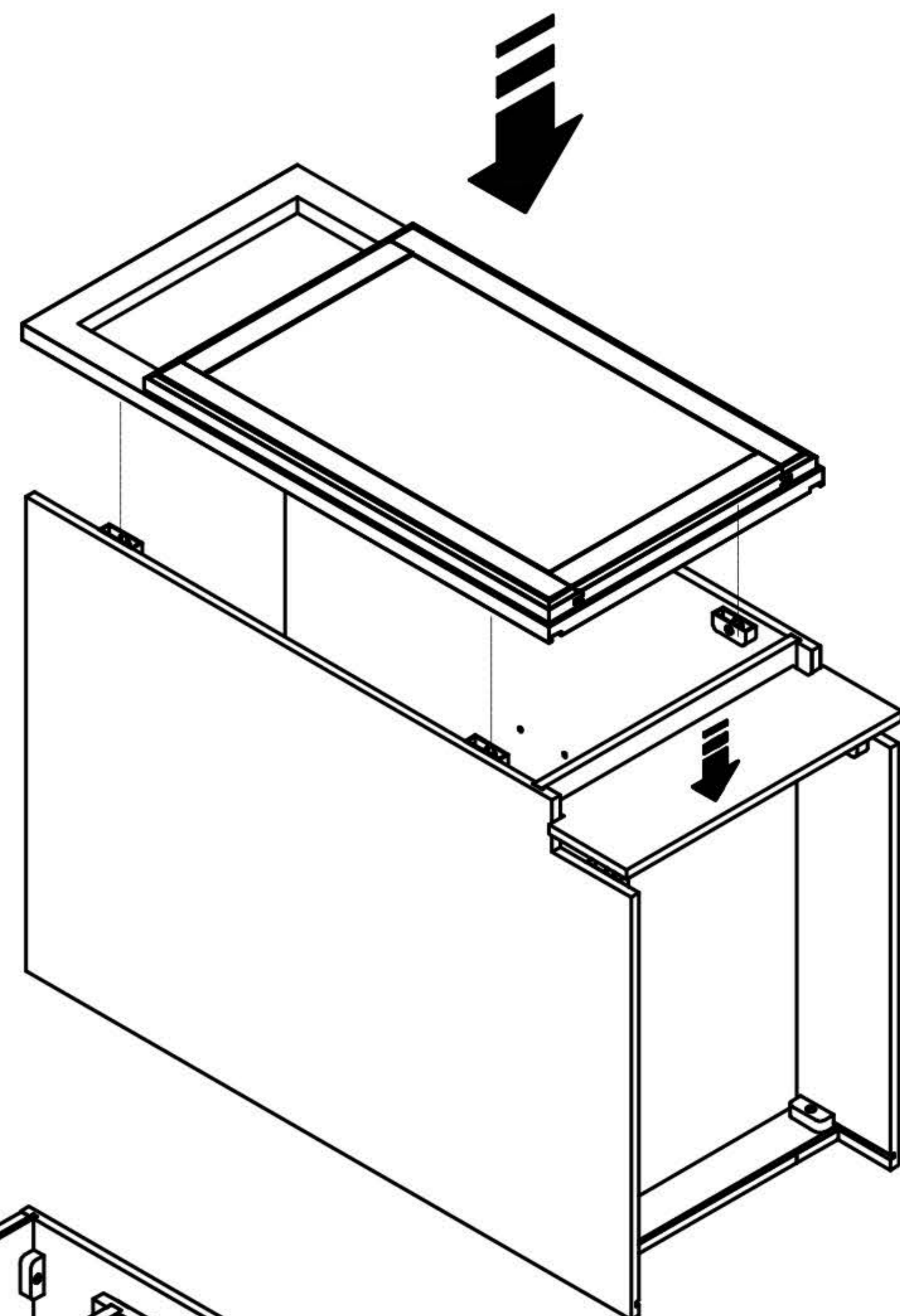
Step 1



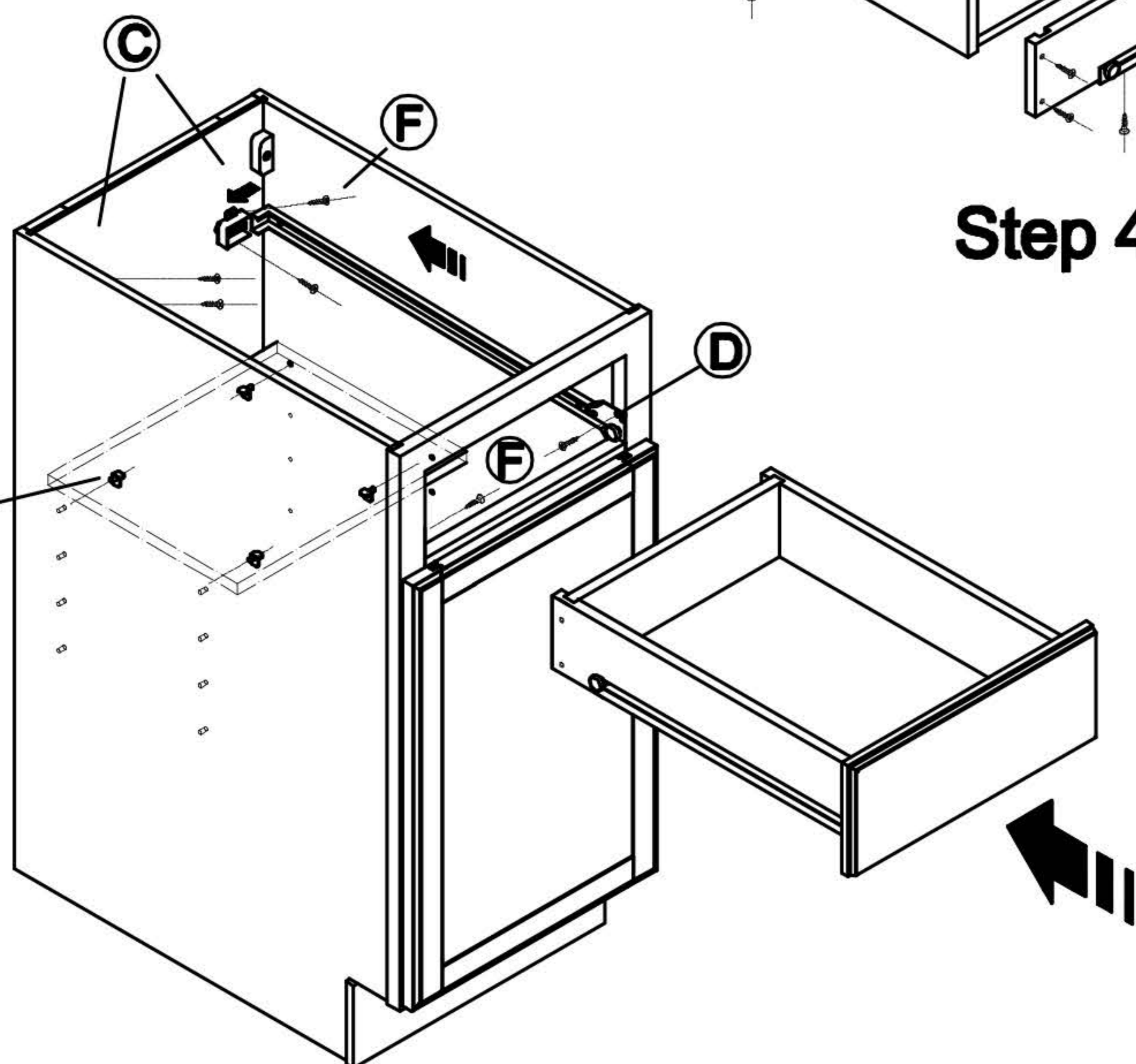
Step 2



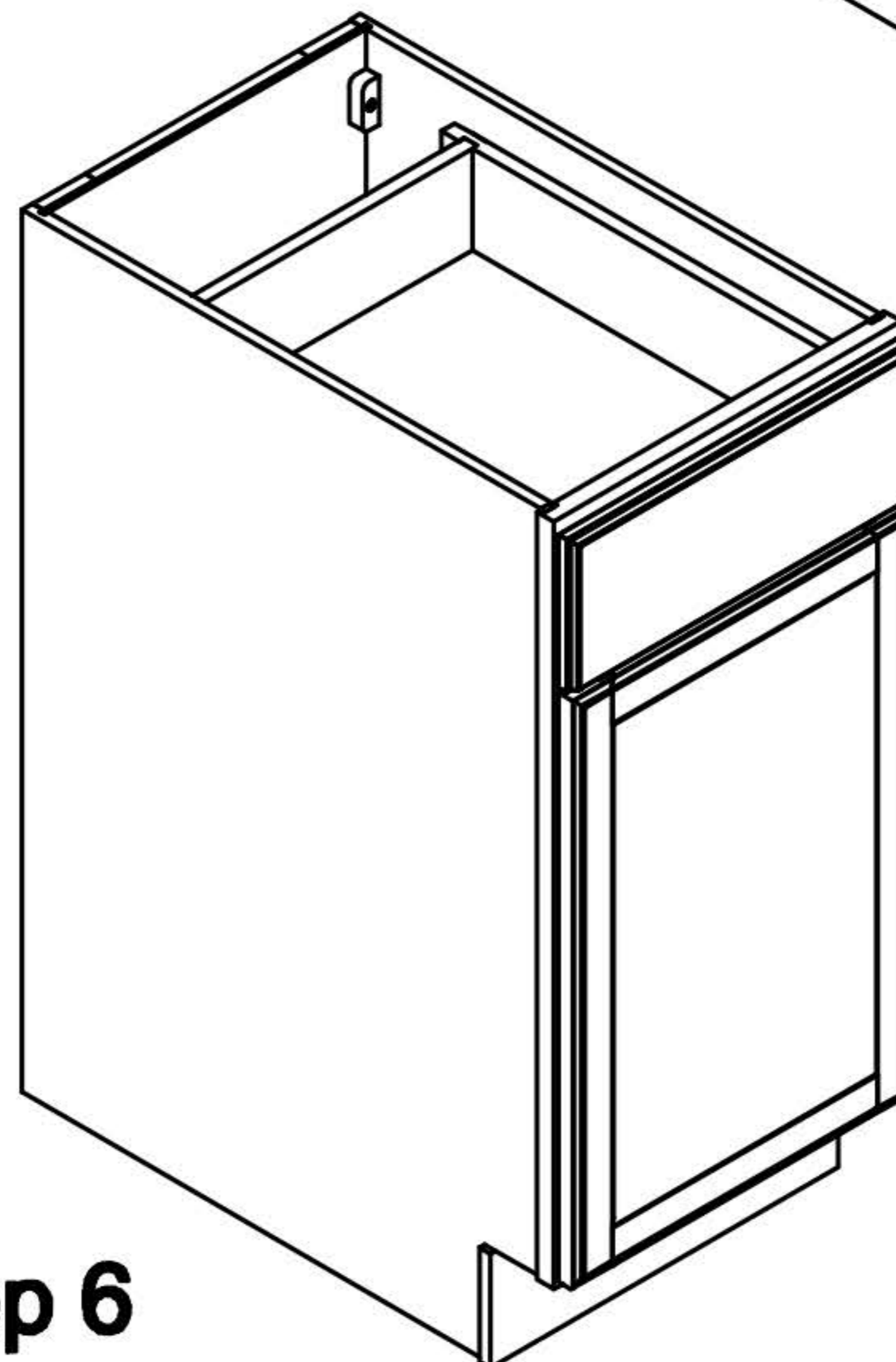
Step 4



Step 3



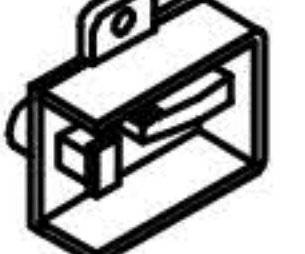
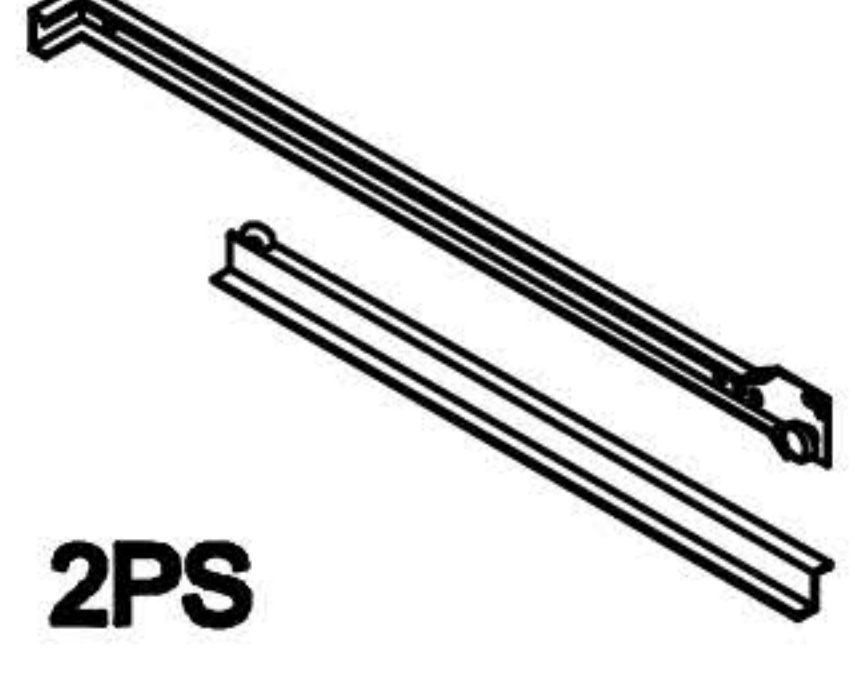
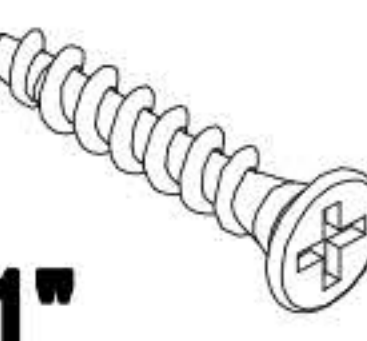
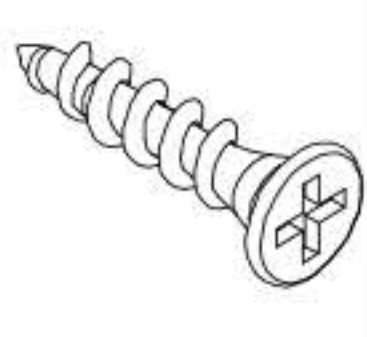


Step 5

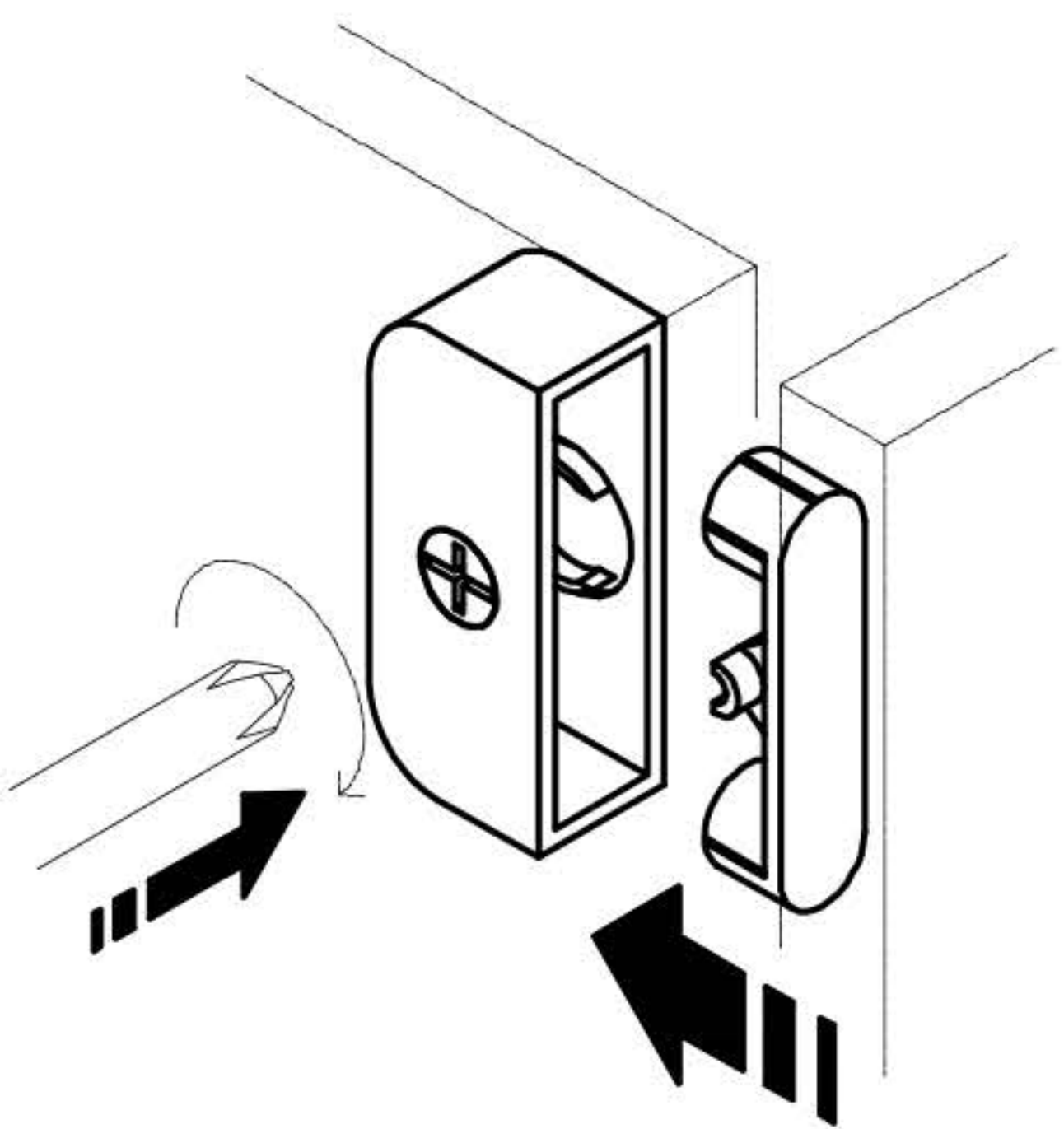


Step 6

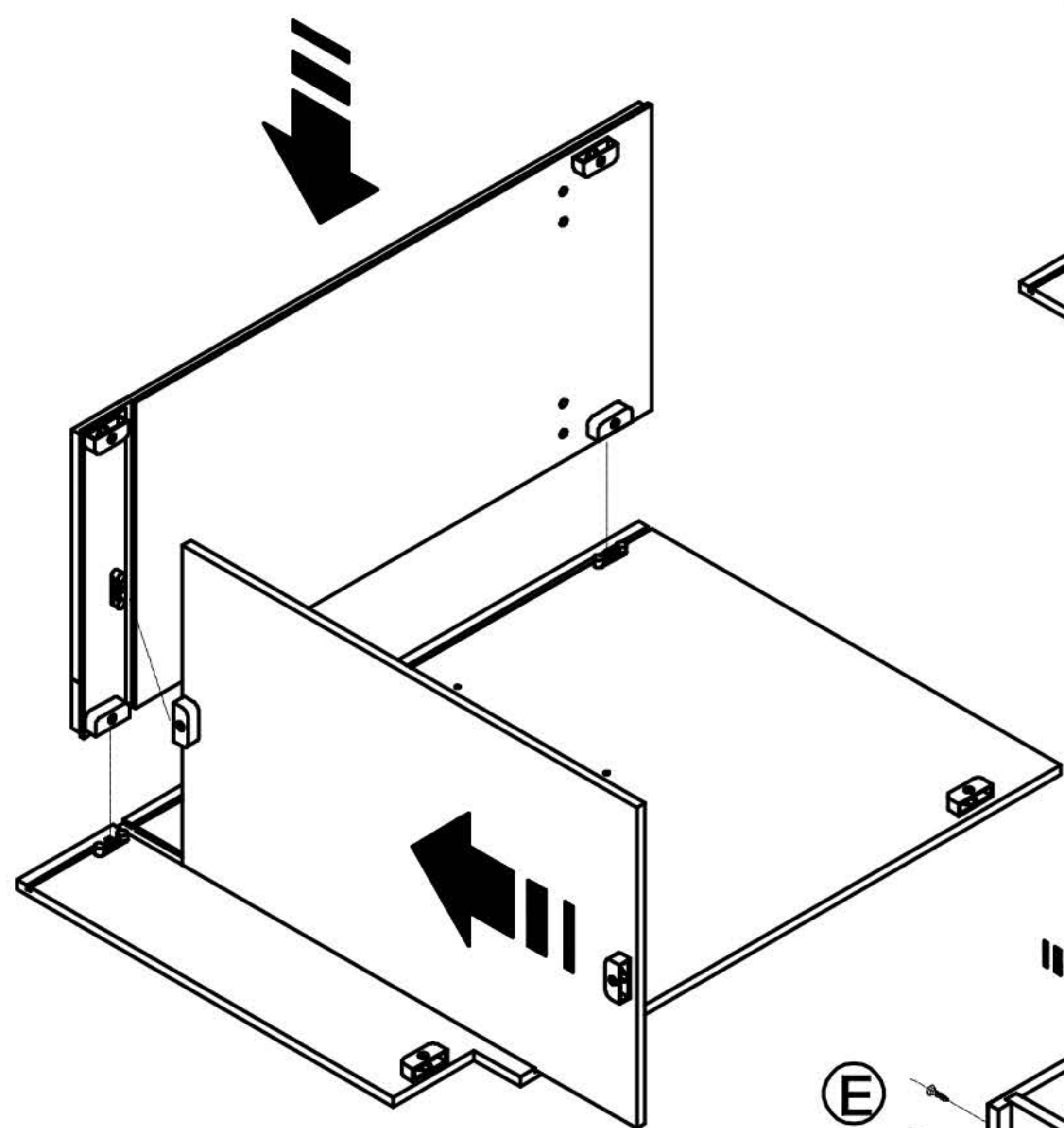
## Mocha Shaker Pg. 2

Code	A	B	C	D	E	F
Icon		 1 1/2"			 1"	 5/8"
Number	4PS	6PS	2PS	2PS	8PS	6PS

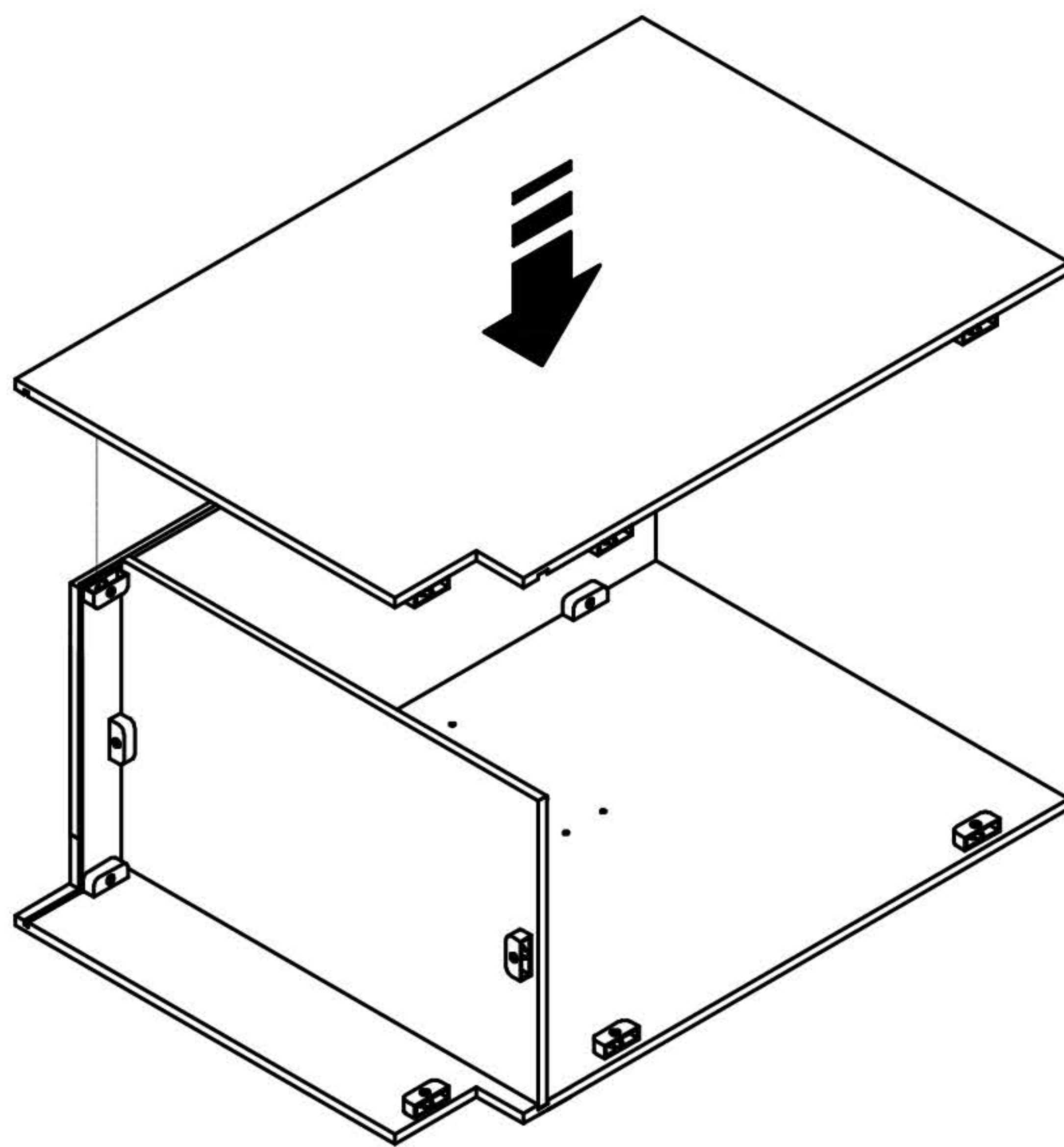
B24, B27, B30



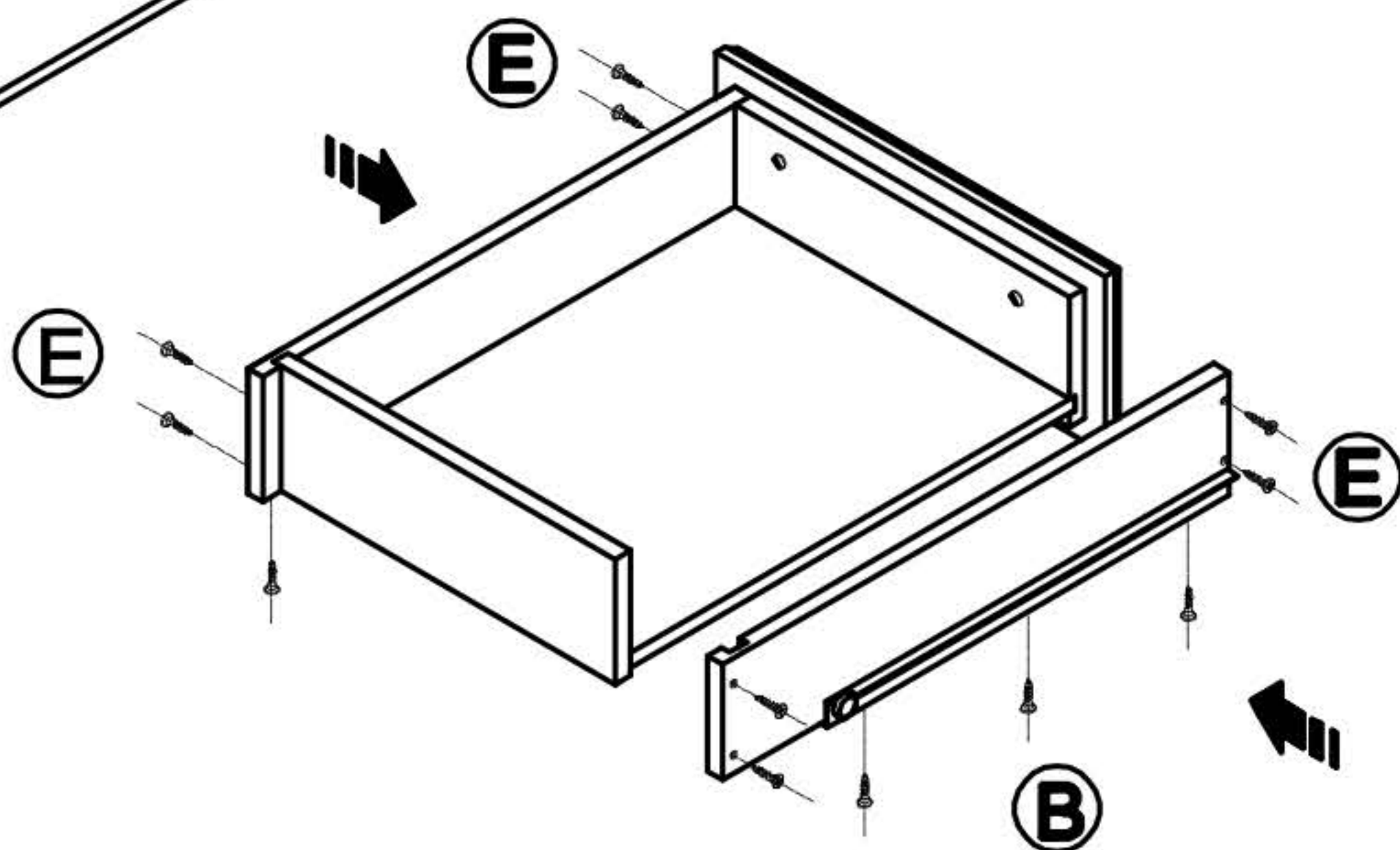
Example



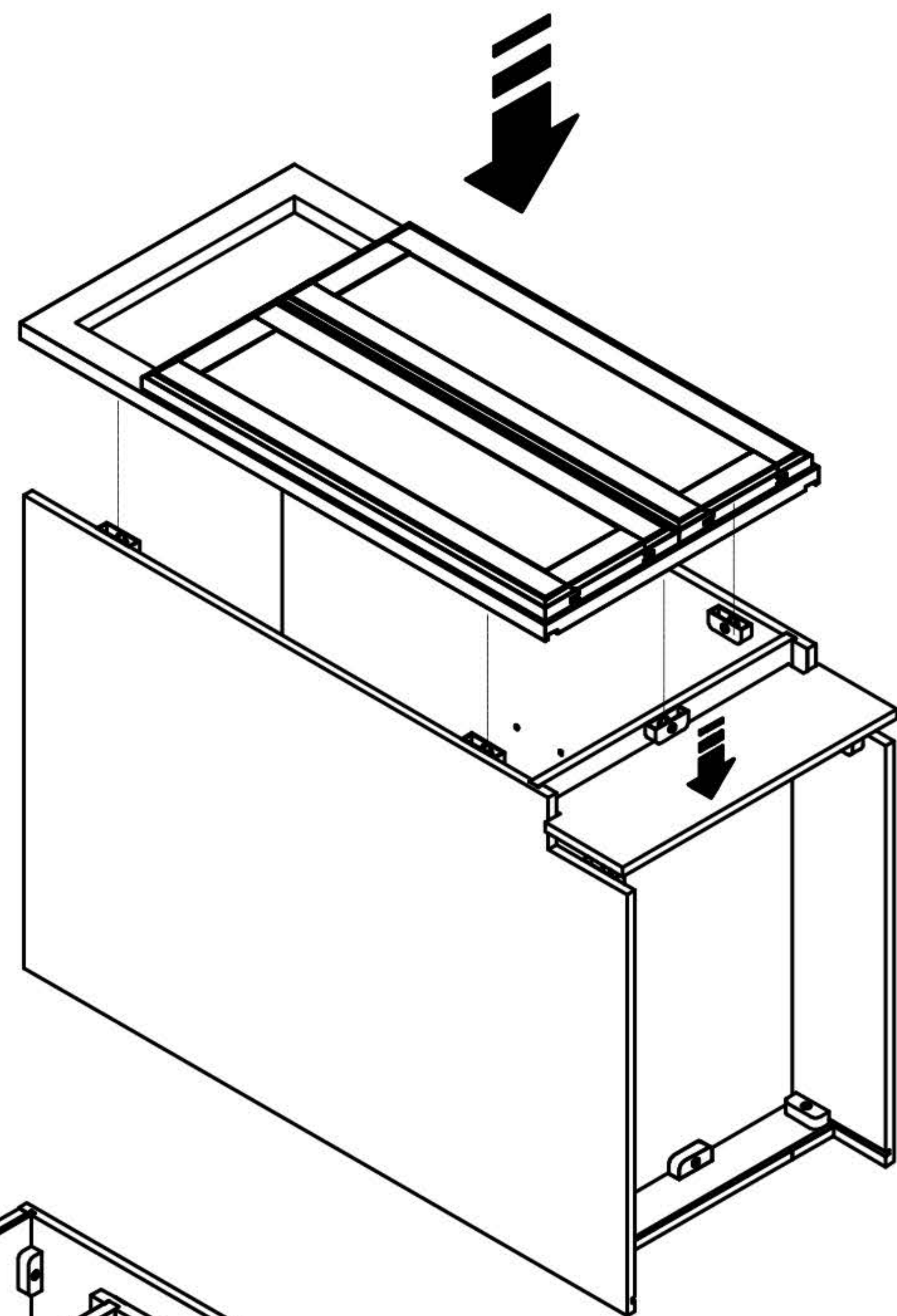
Step 1



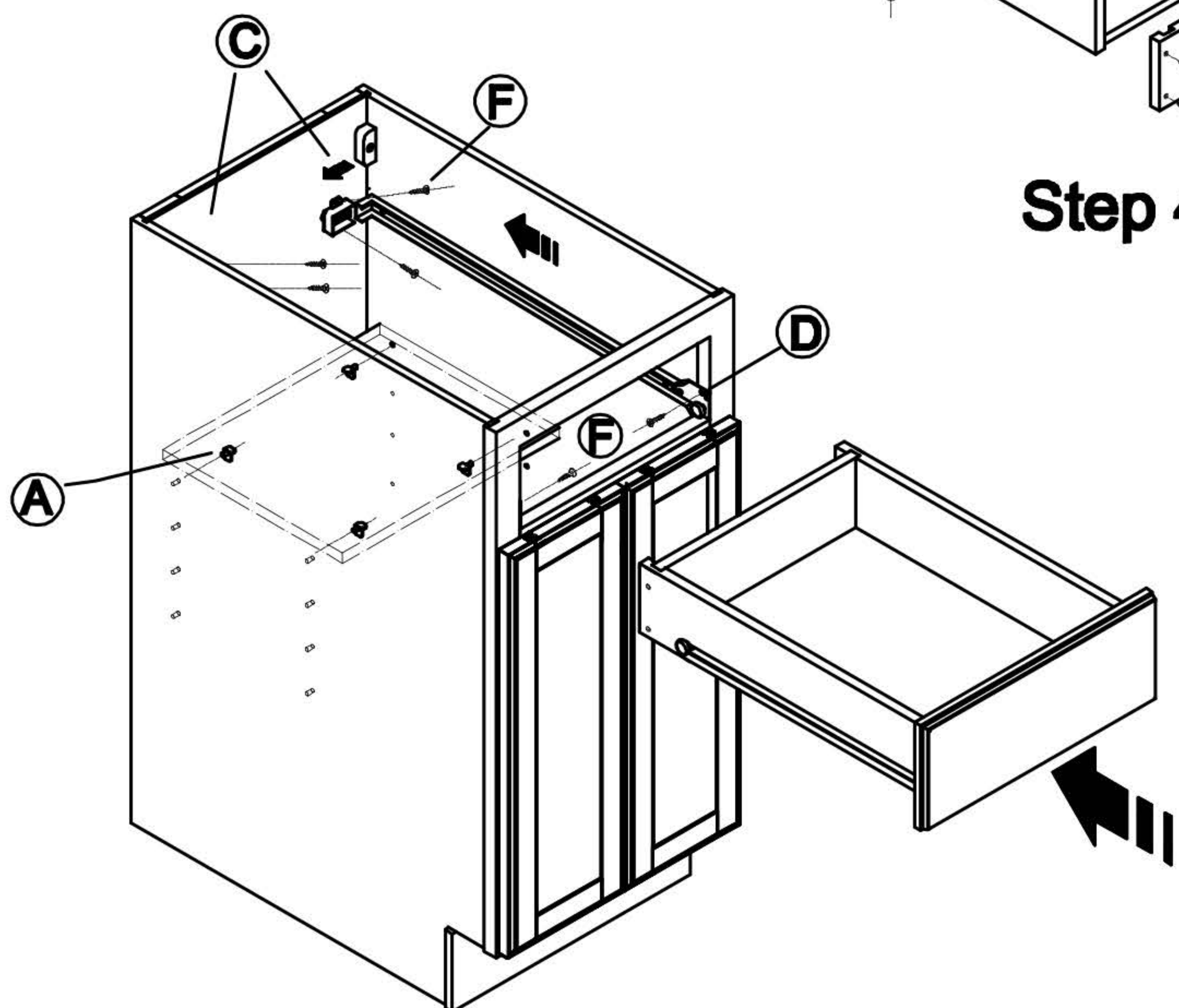
Step 2



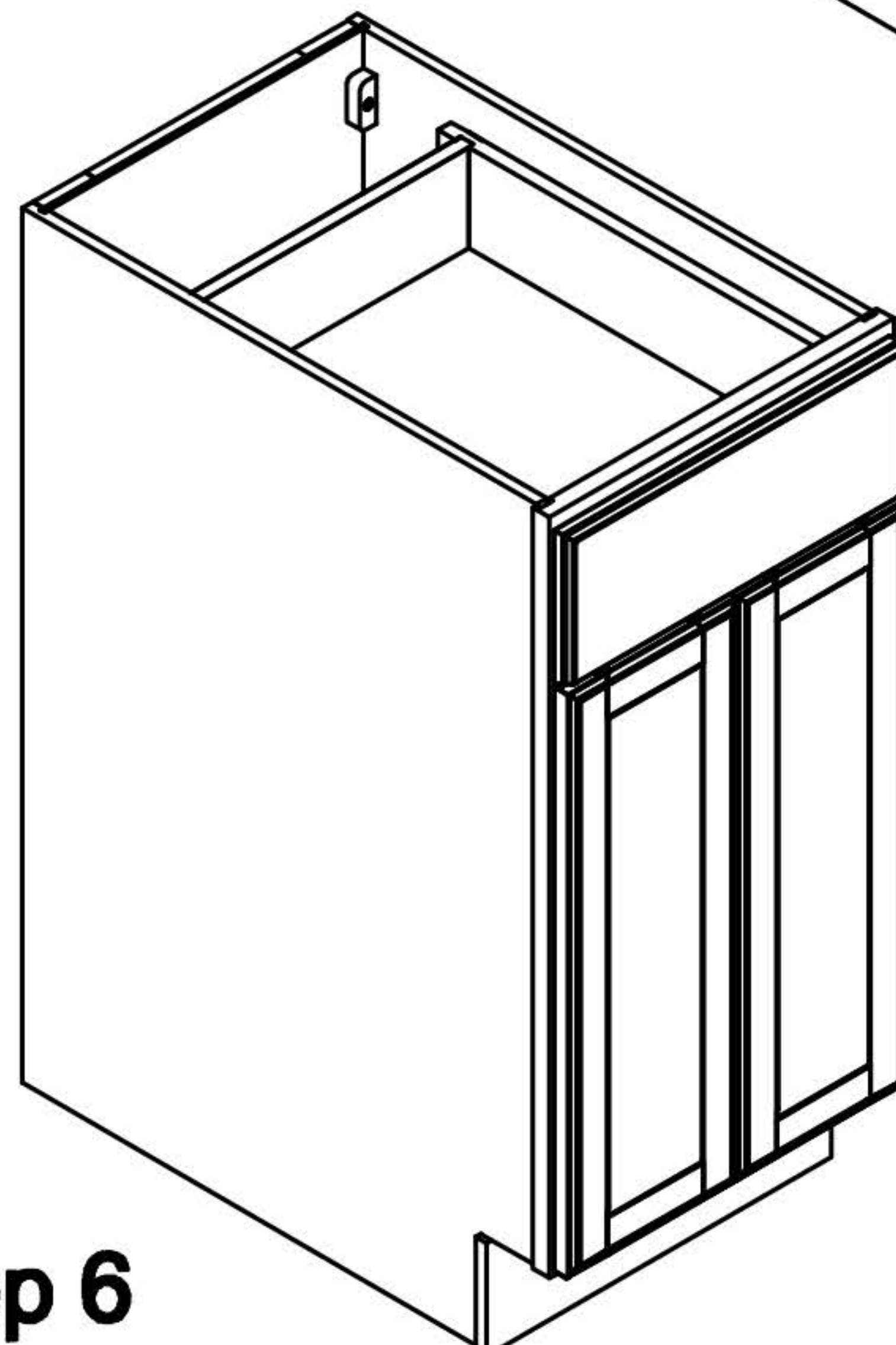
Step 4



Step 3




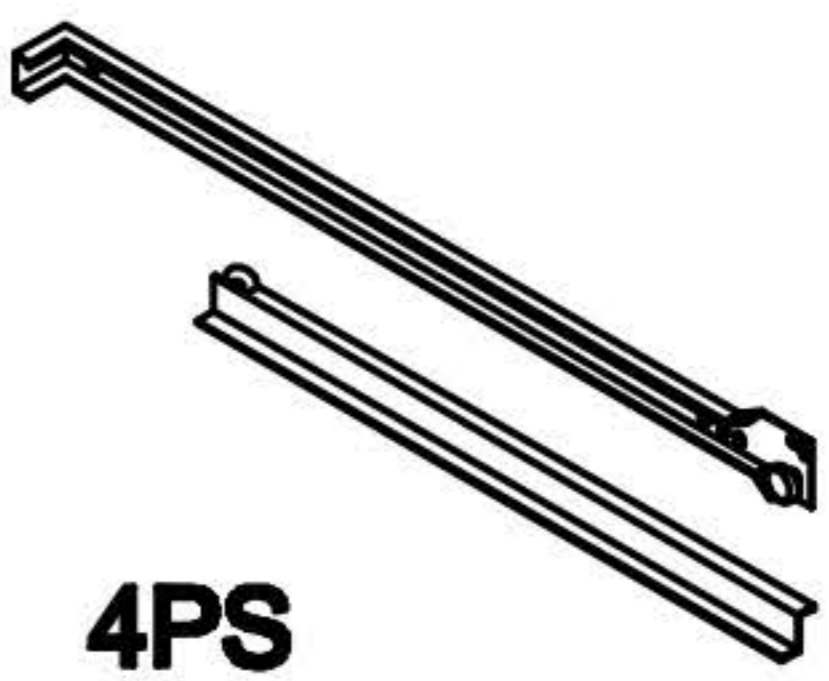
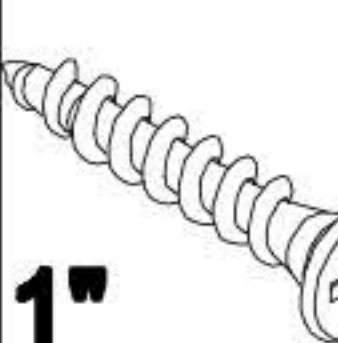
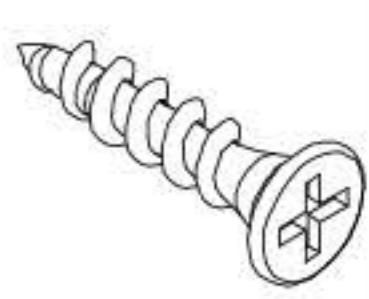


Step 5

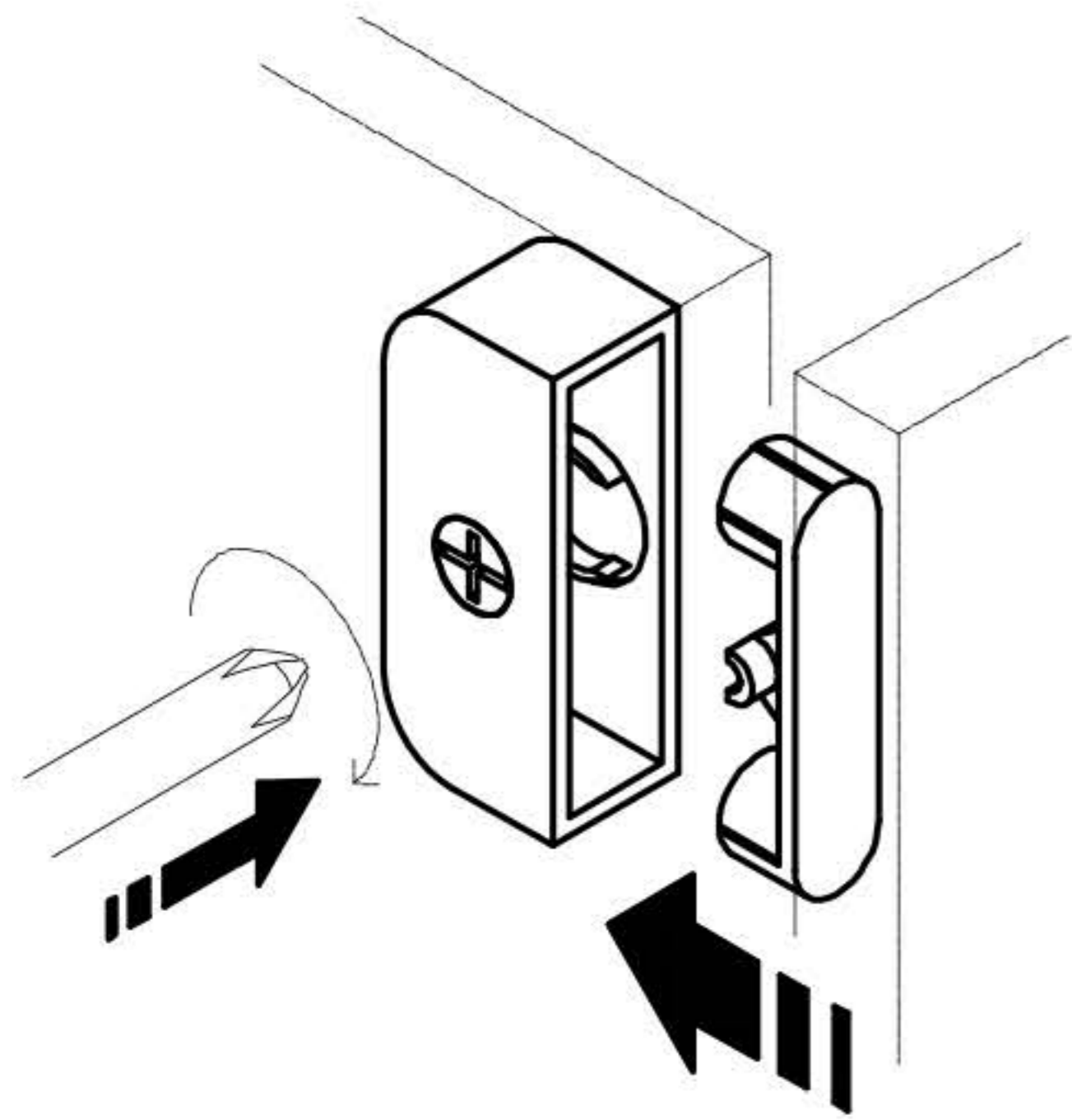


Step 6

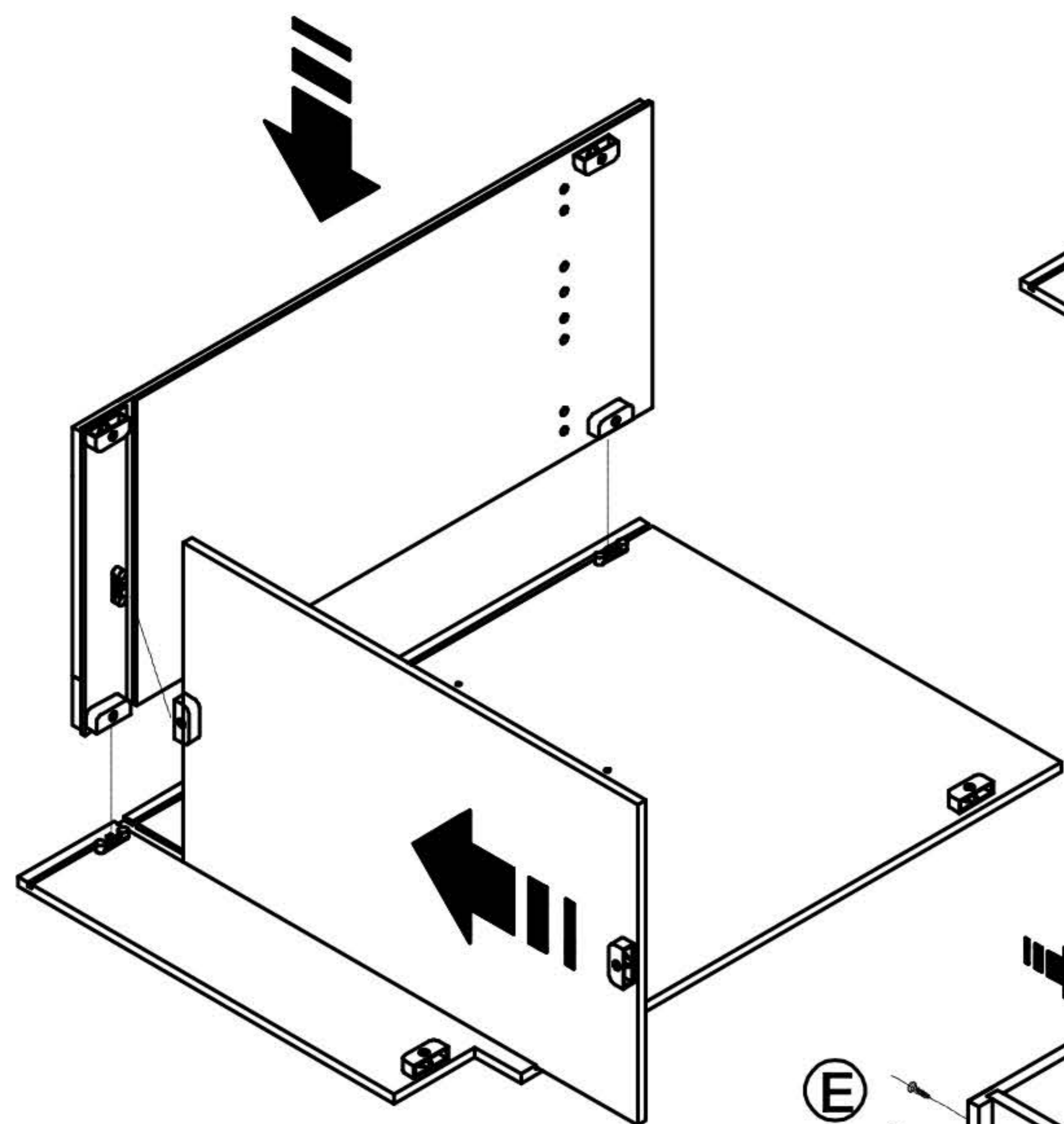
## Mocha Shaker Pg. 3

Code	A	B	C	D	E	F
Icon		 1/2"			 1"	 5/8"
Number	4PS	12PS	4PS	4PS	16PS	12PS

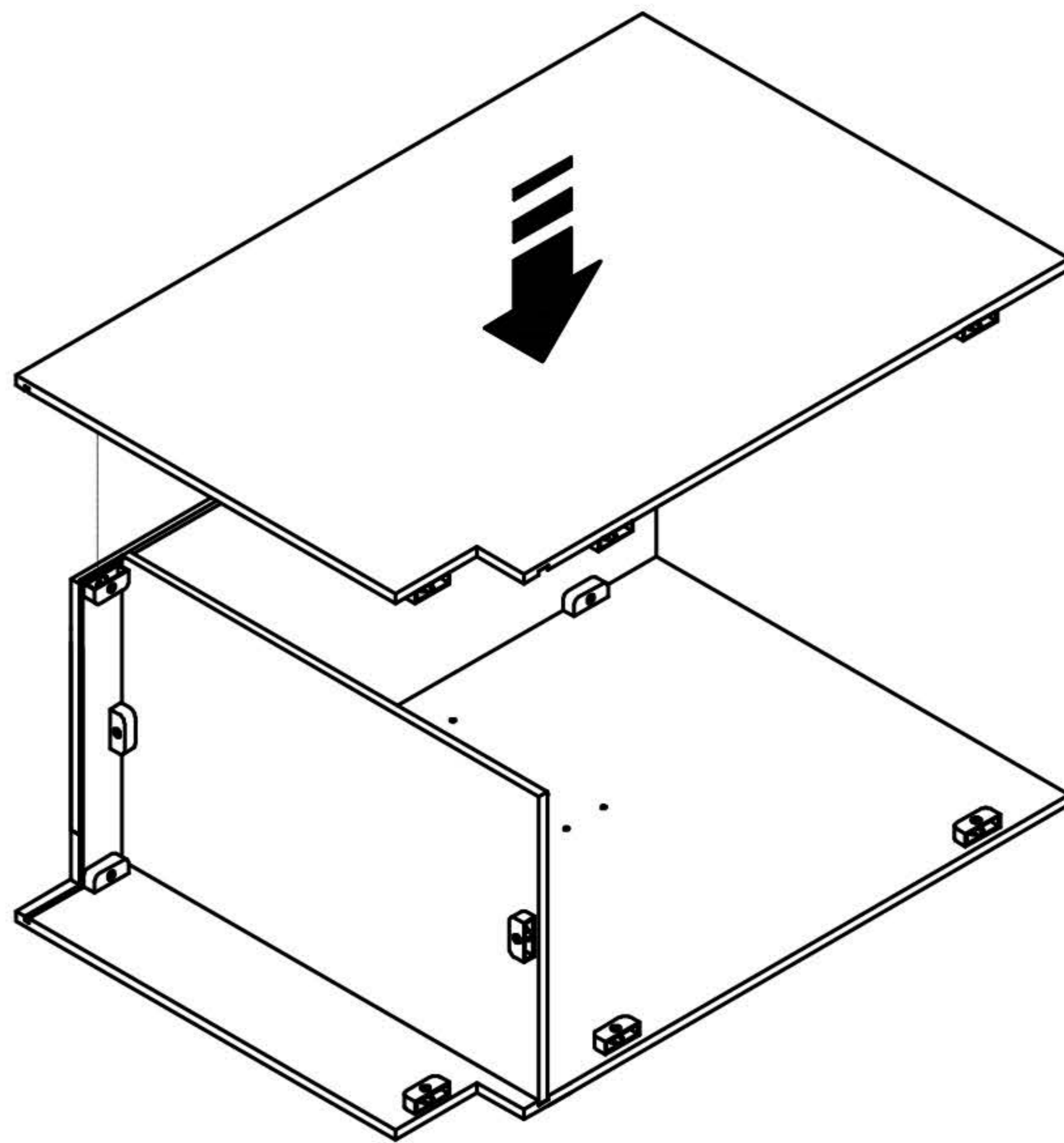
**B33, B36**



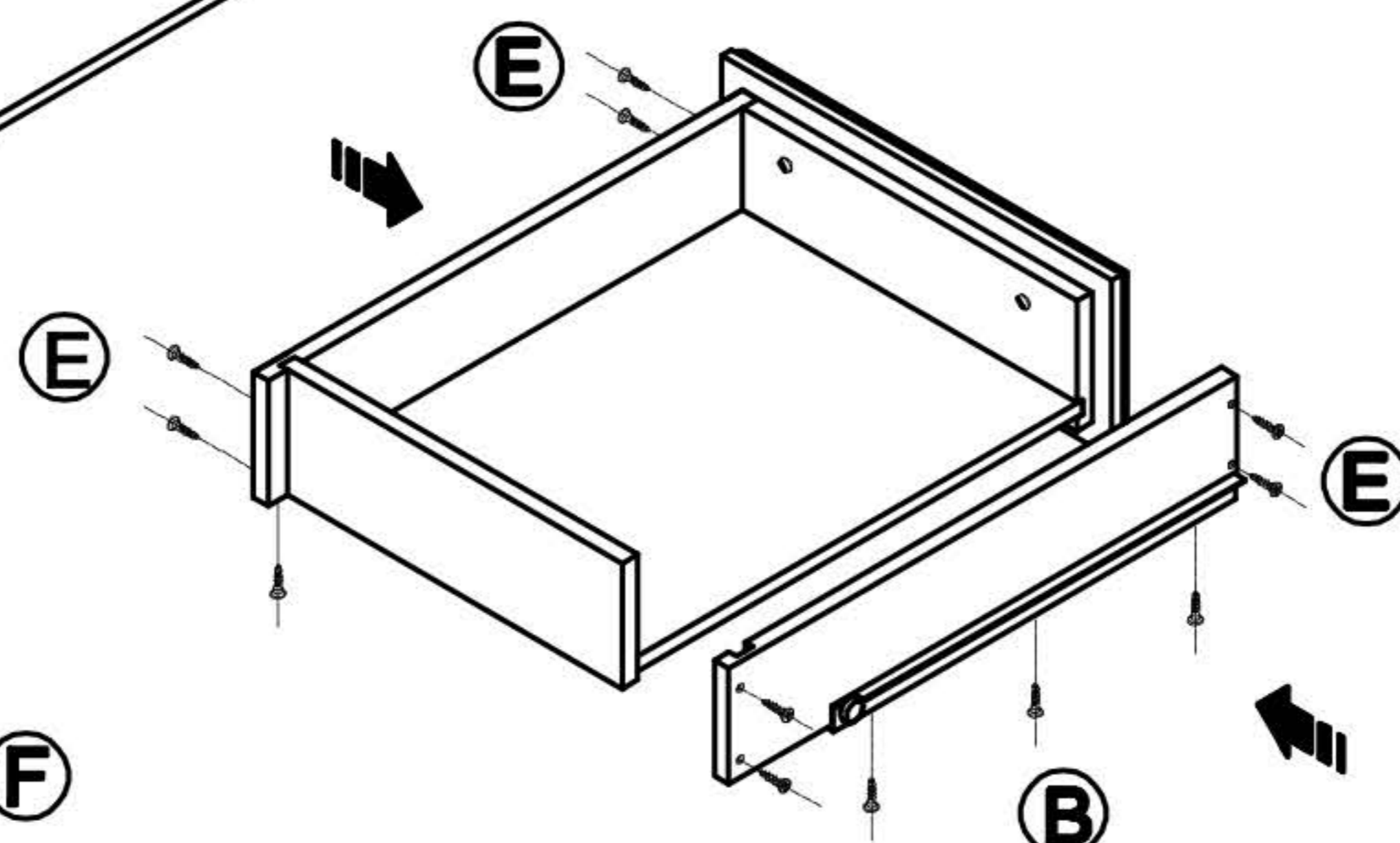
**Example**



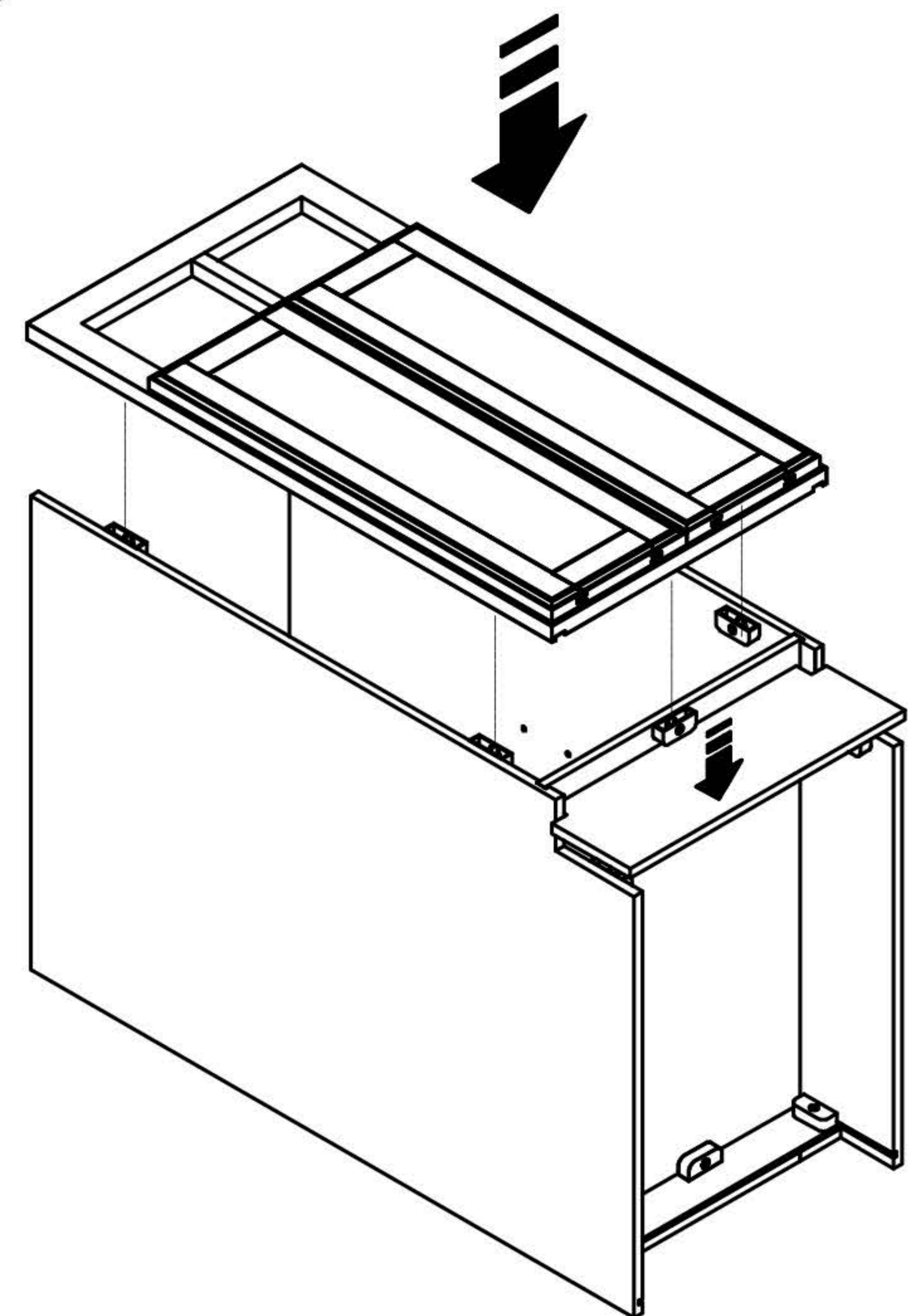
**Step 1**



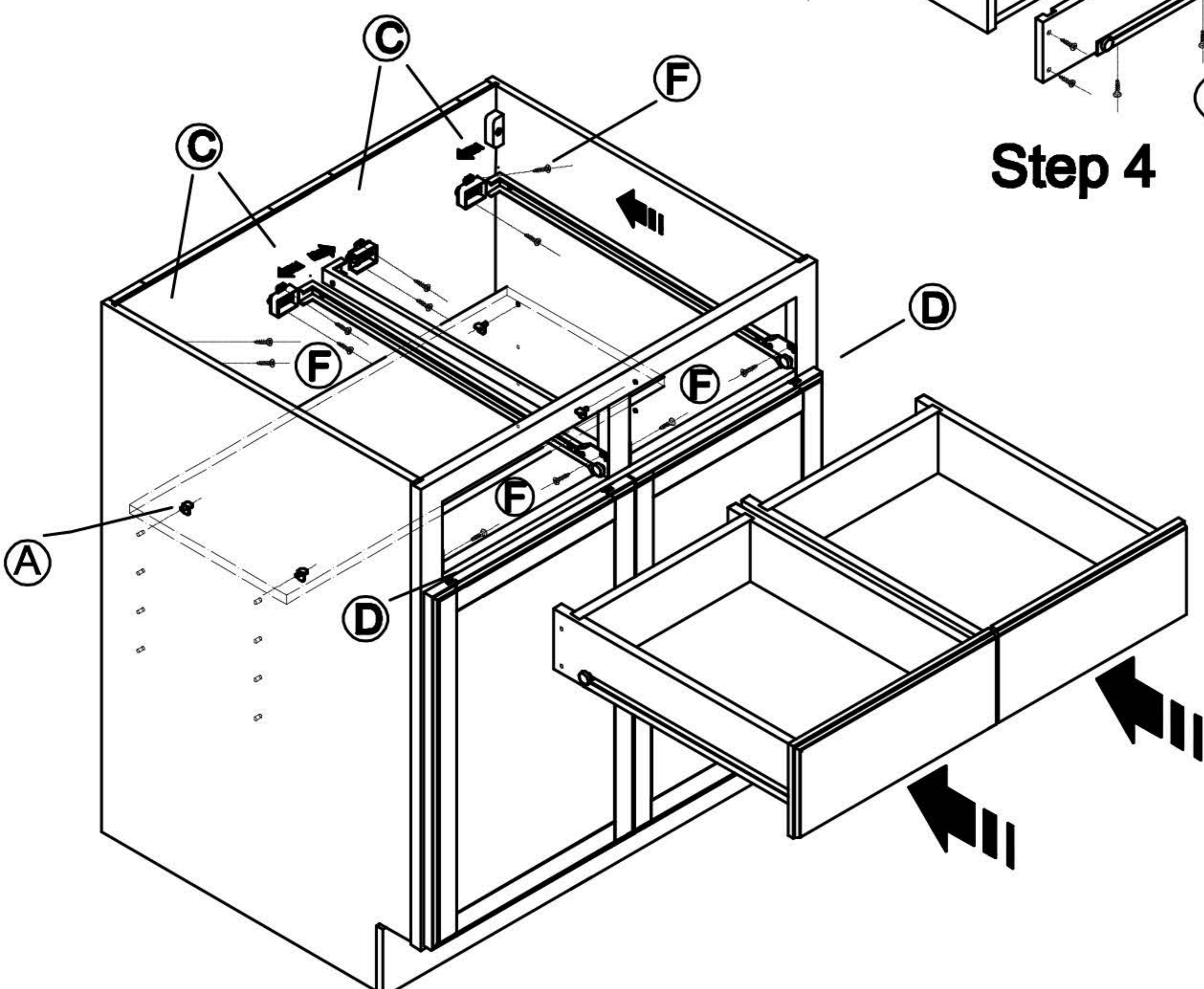
**Step 2**



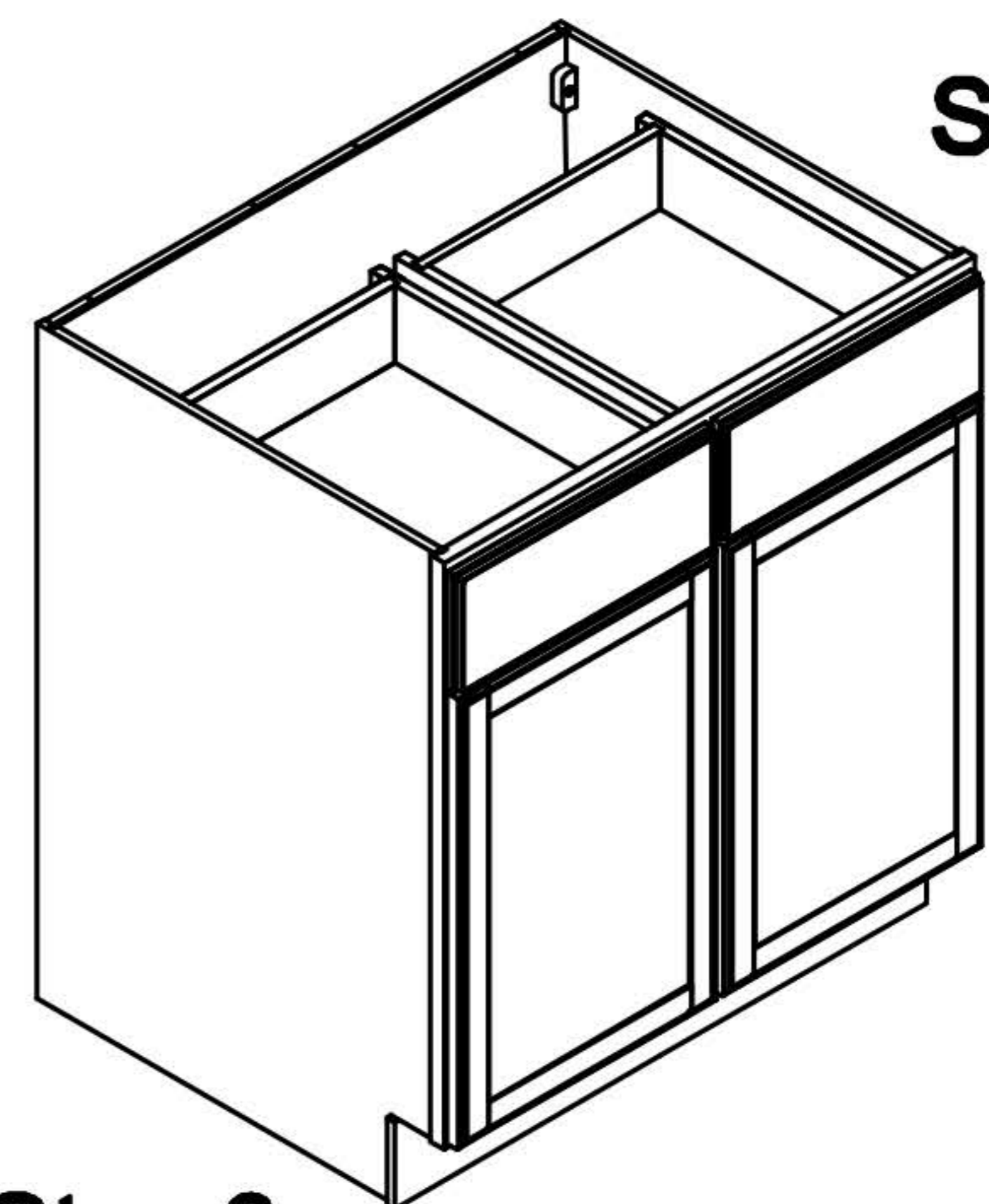
**Step 4**



**Step 3**



**Step 5**



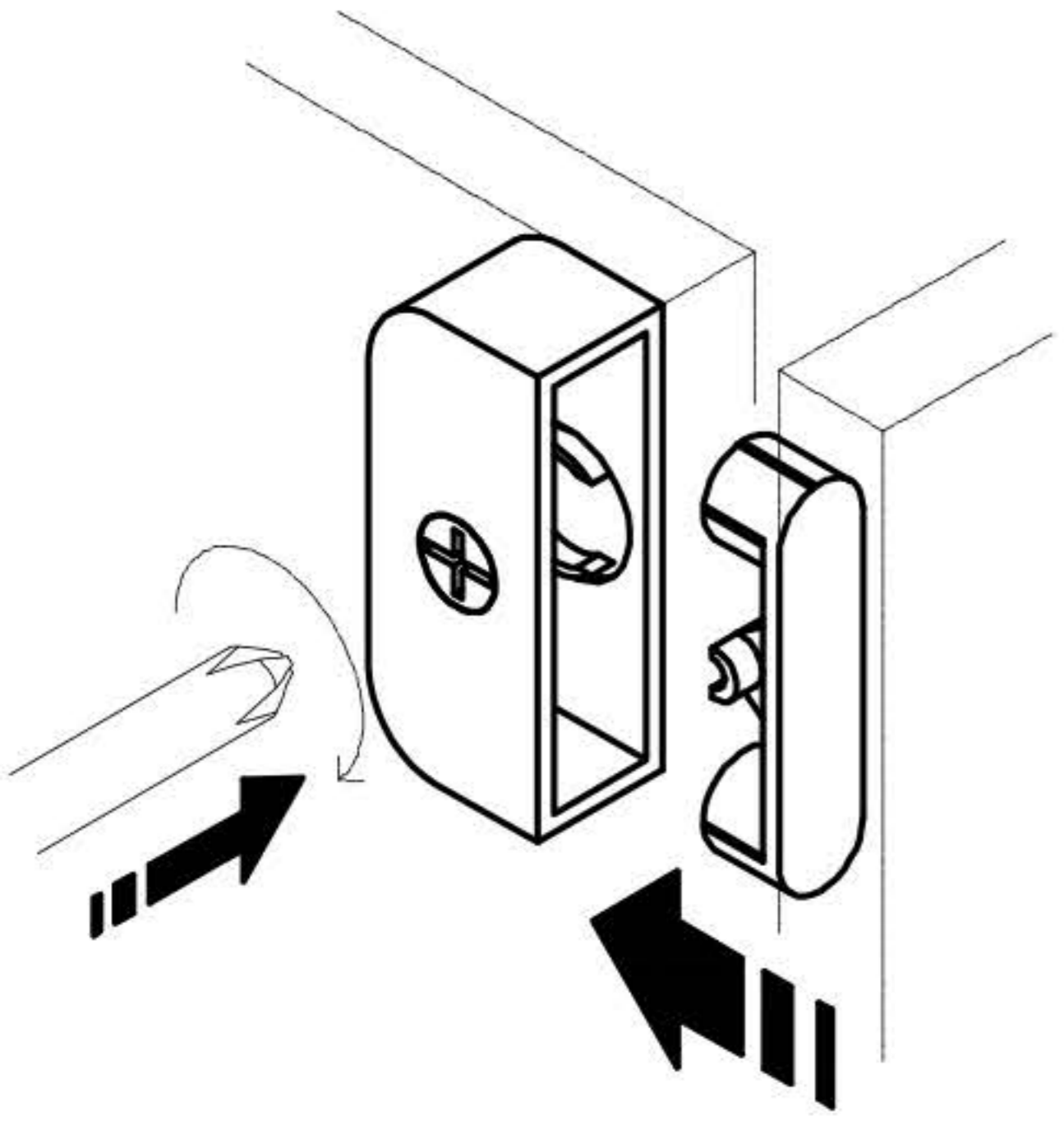
**Step 6**

# LORY CABINETS

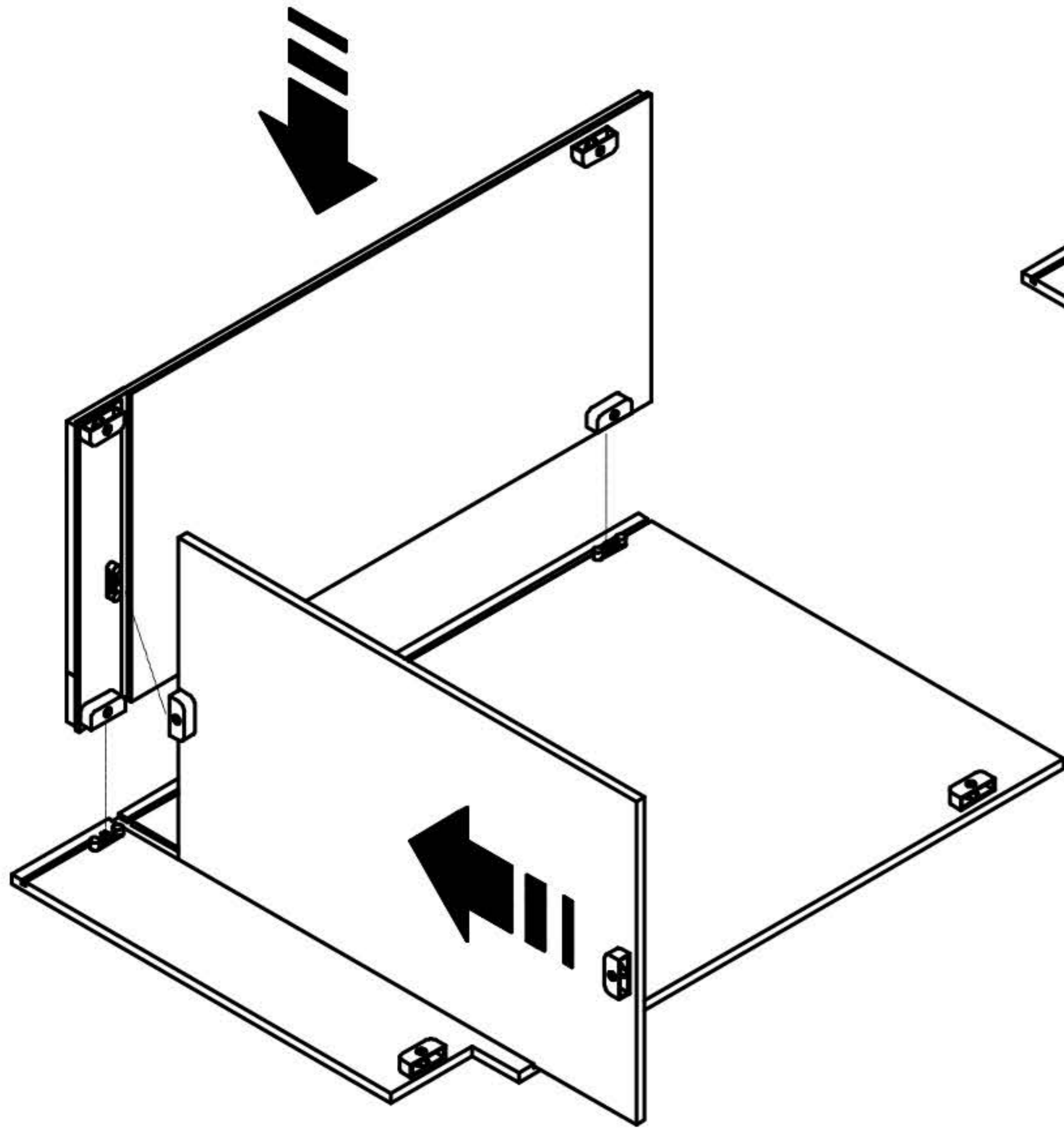
## Mocha Shaker

Pg. 4

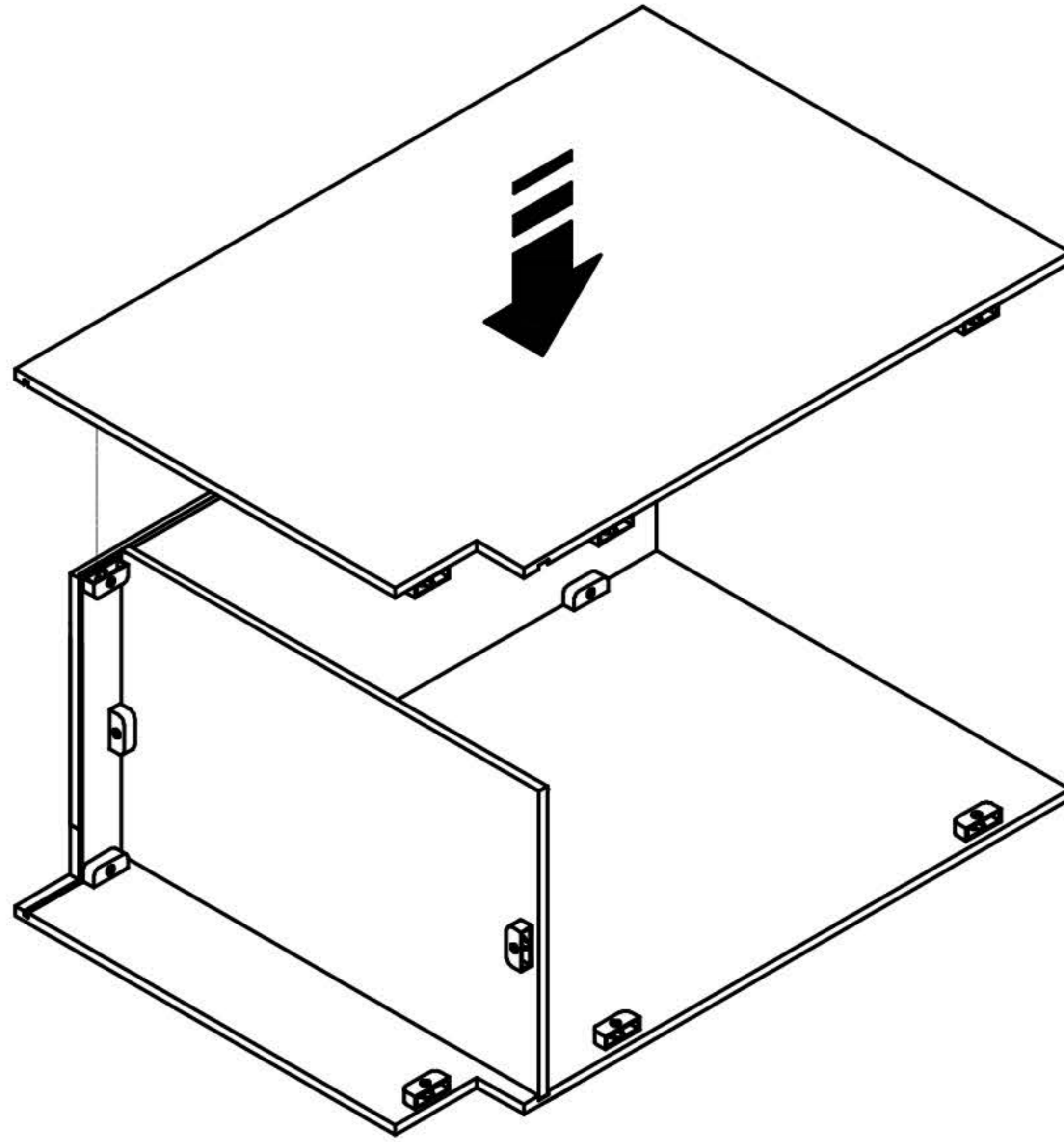
SB30-CY, VA2421, VA2721, VA3021



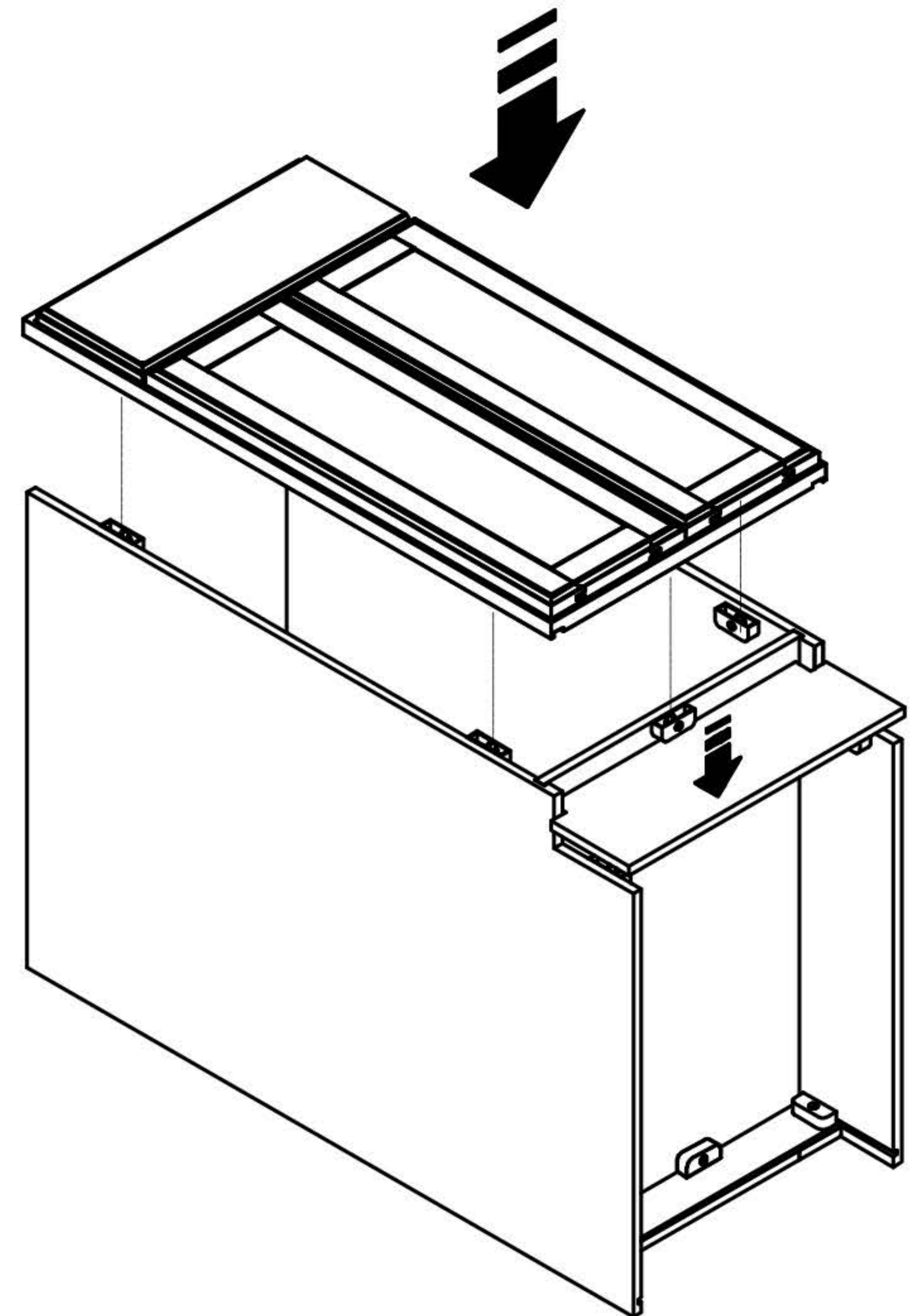
Example



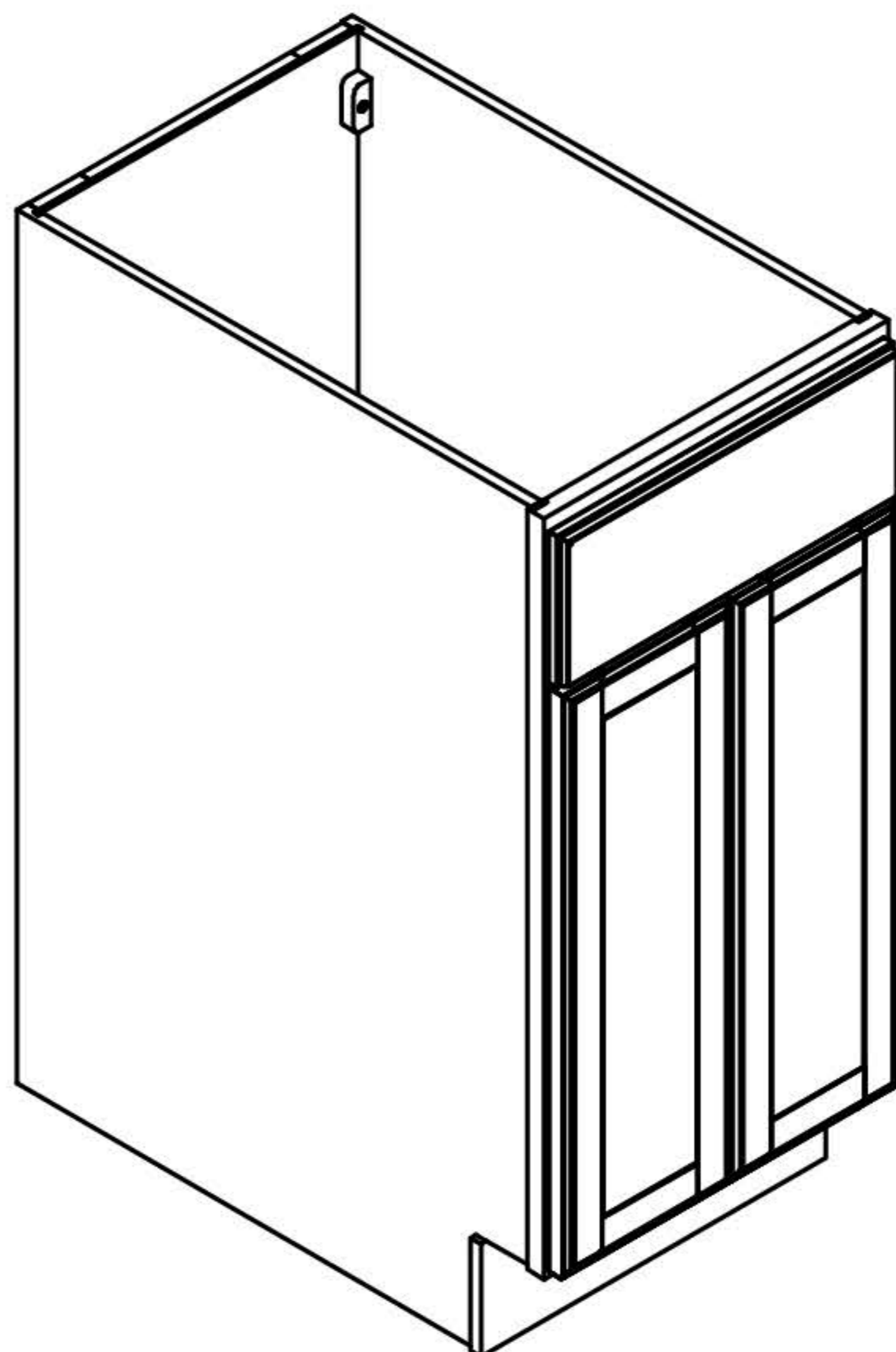
Step 1



Step 2



Step 3

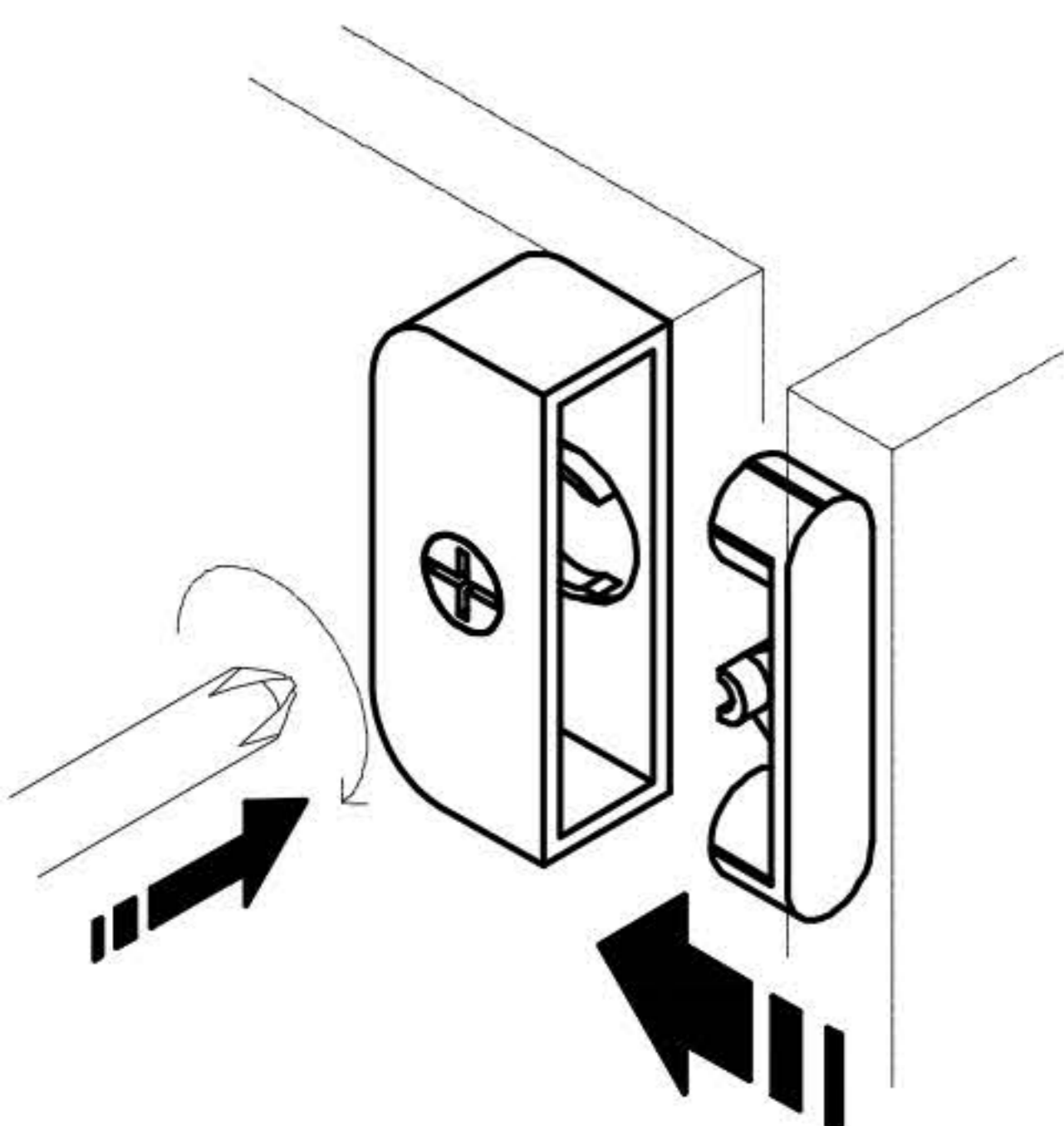


Step 5

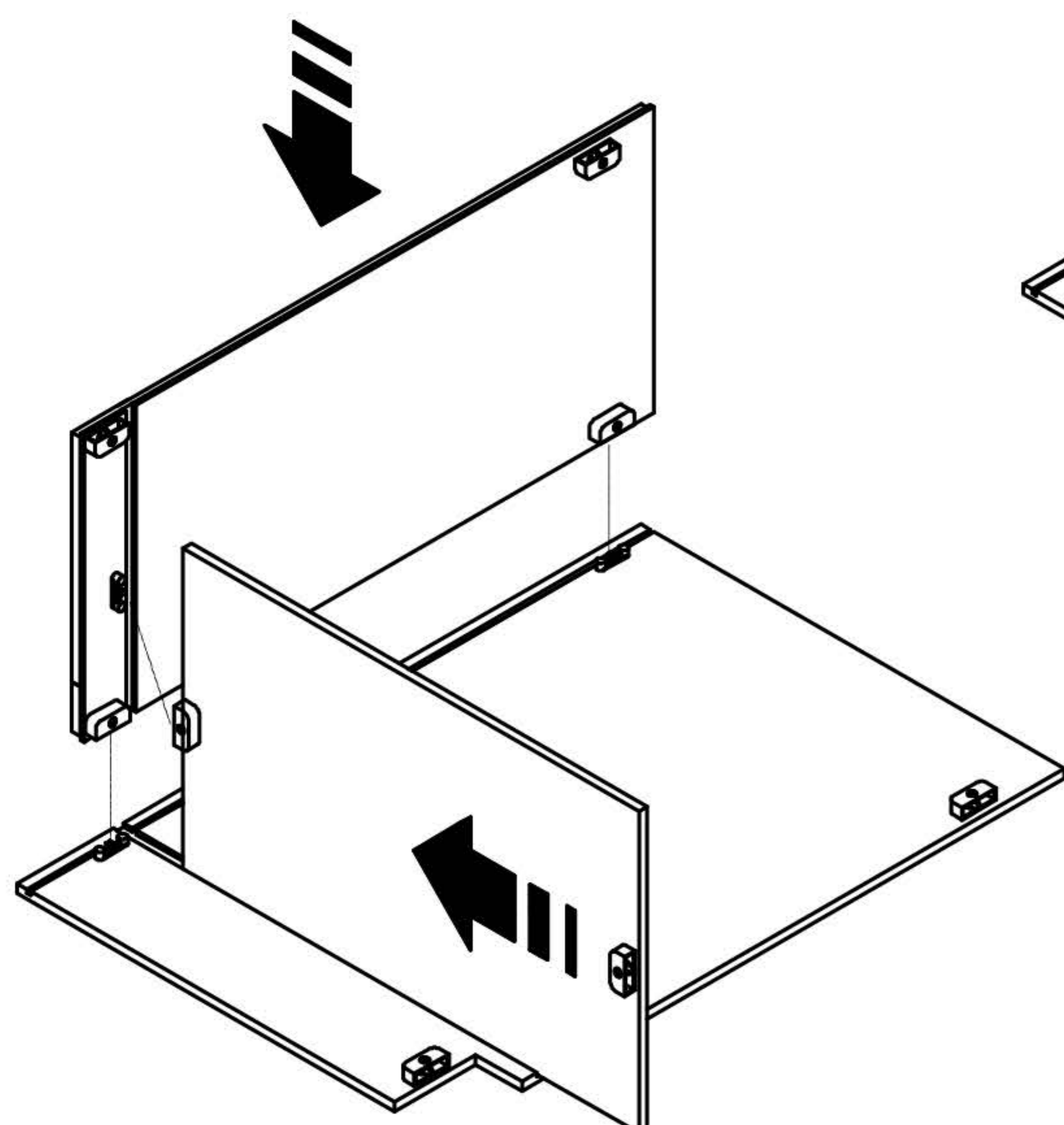
# LORRY CABINETS

## Mocha Shaker Pg. 5

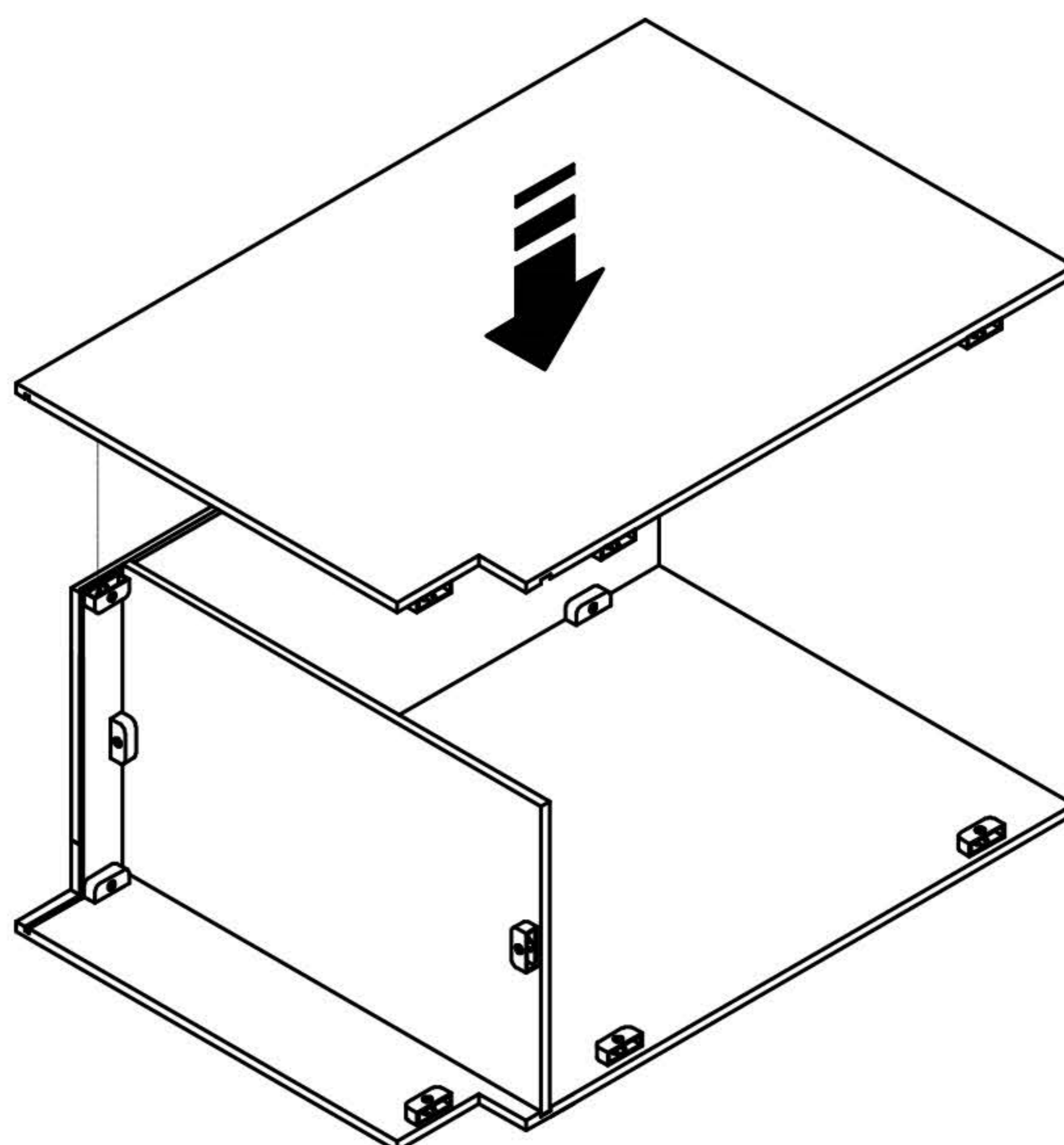
SB33-CY, SB36-CY, SB39-CY, SB42-CY  
VA3321, VA3621, VA3921, VA4221



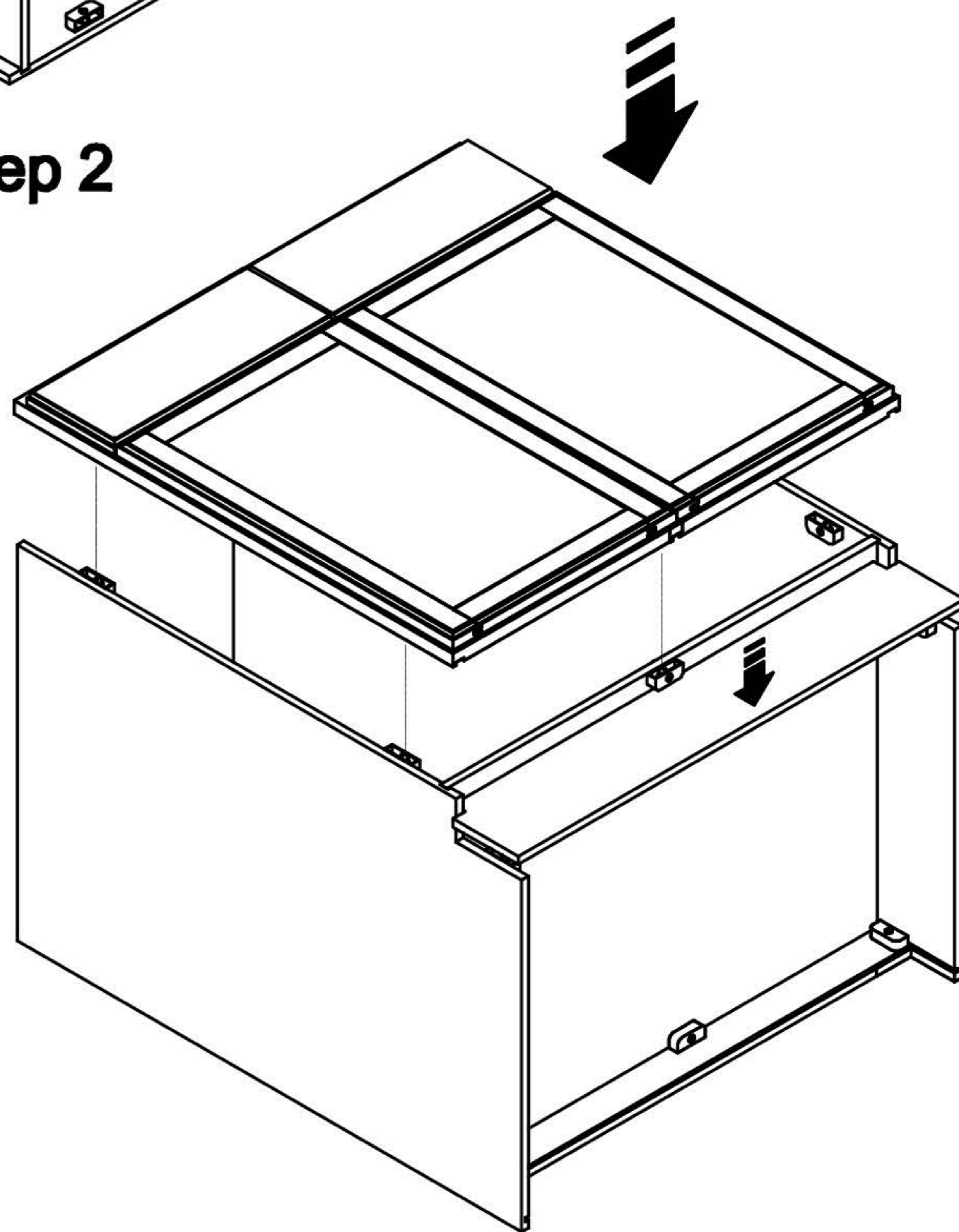
Example



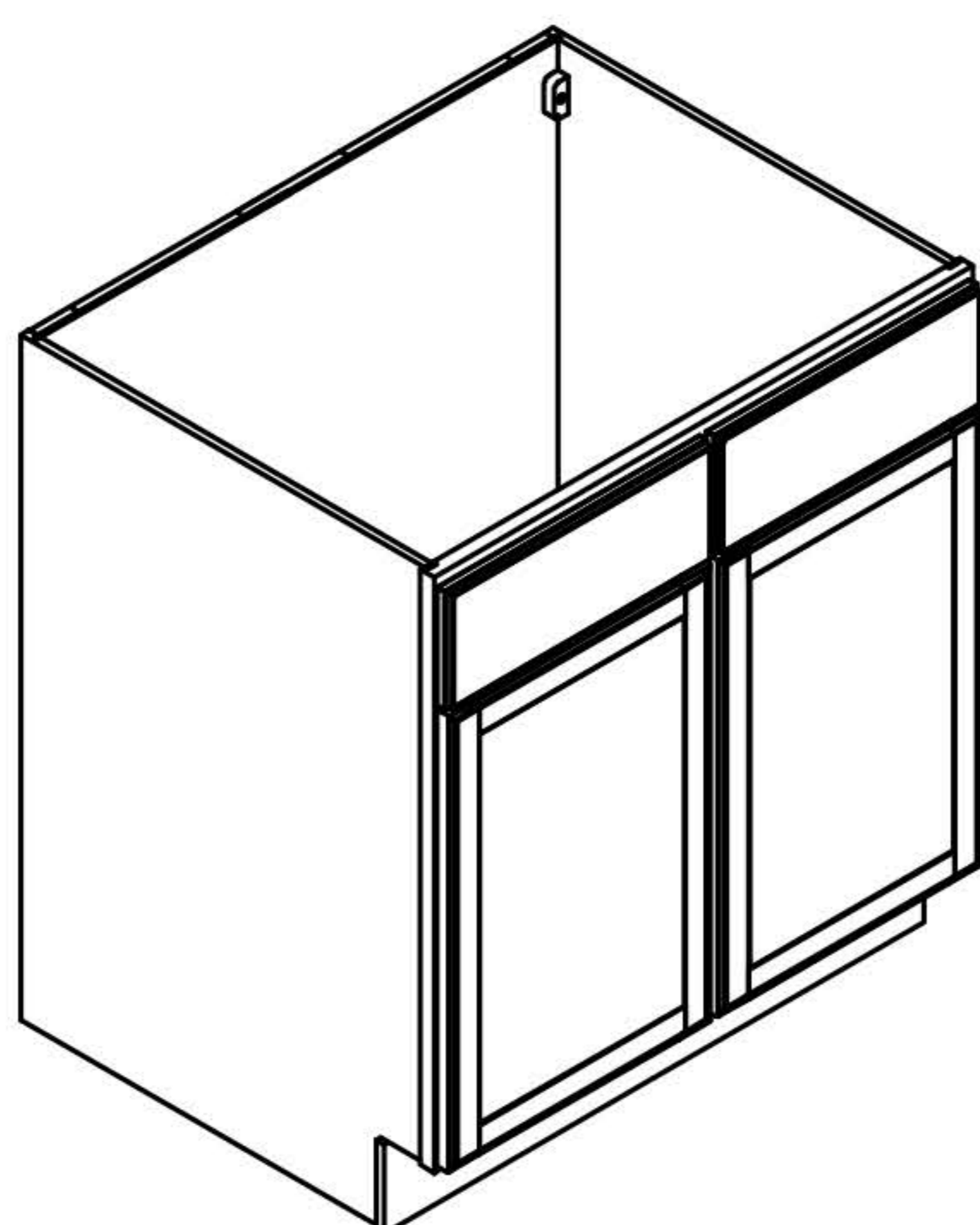
Step 1



Step 2


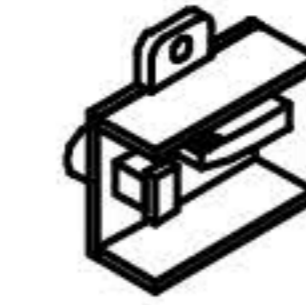
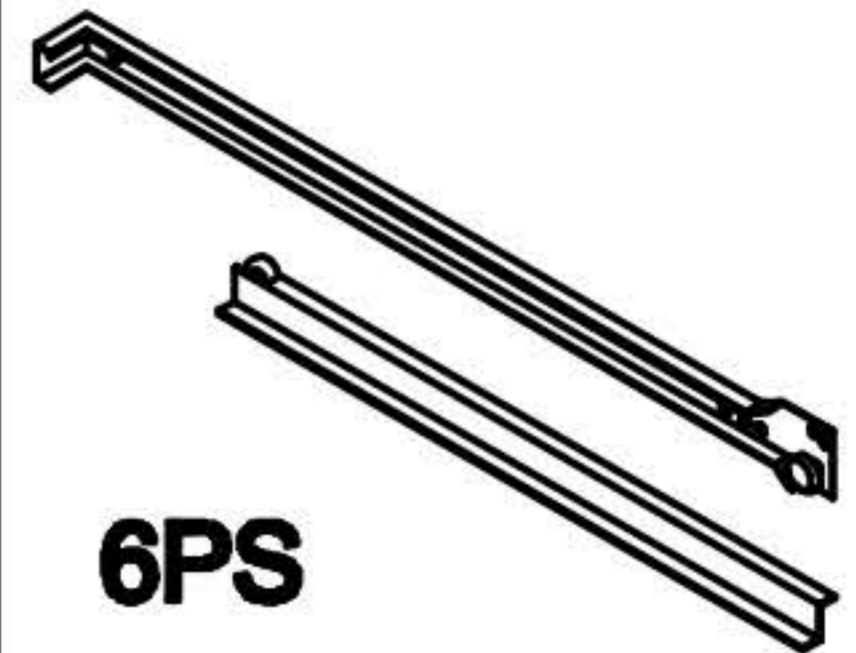

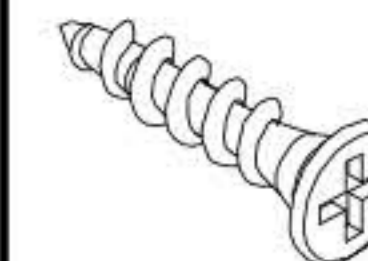


Step 3

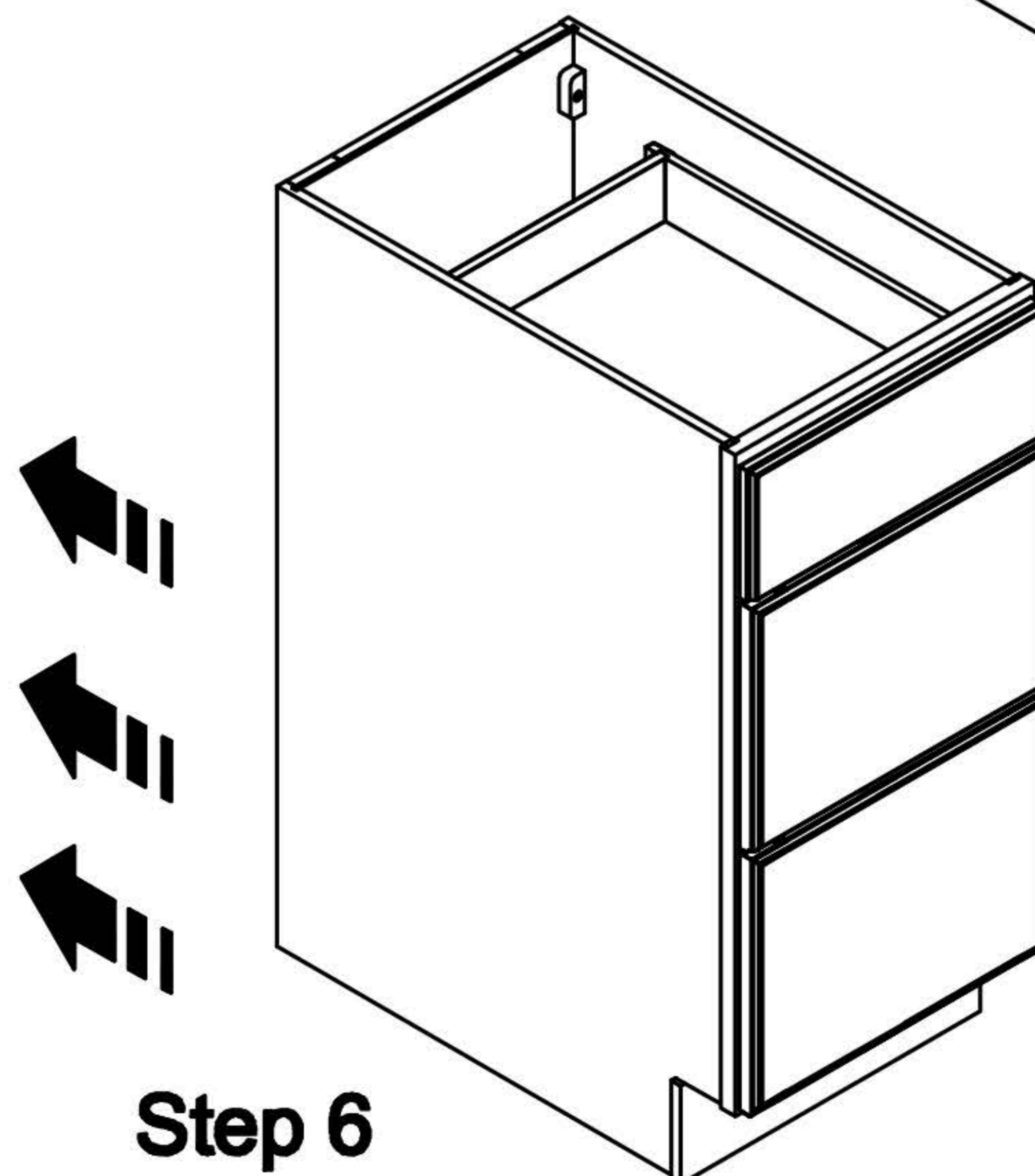
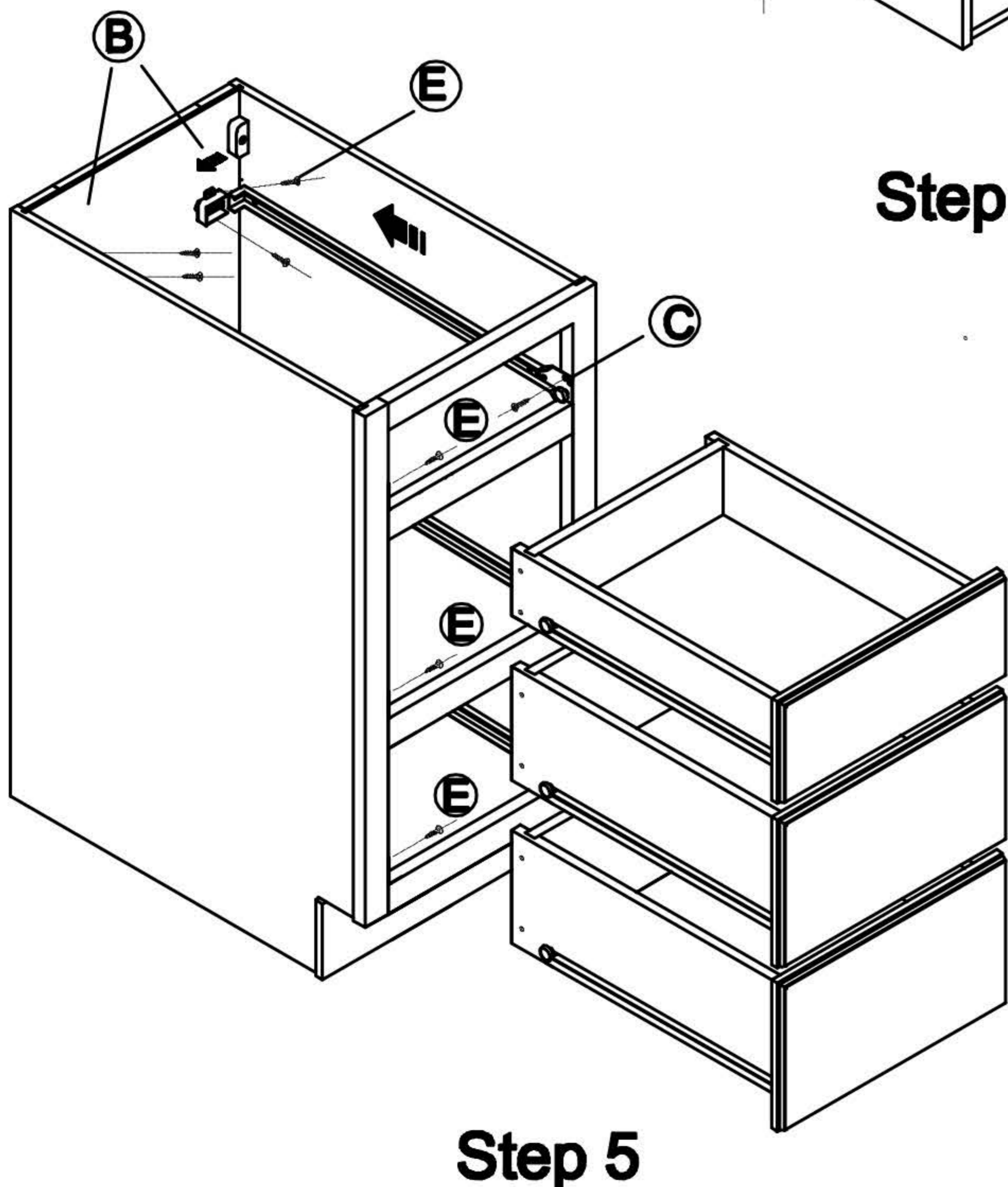
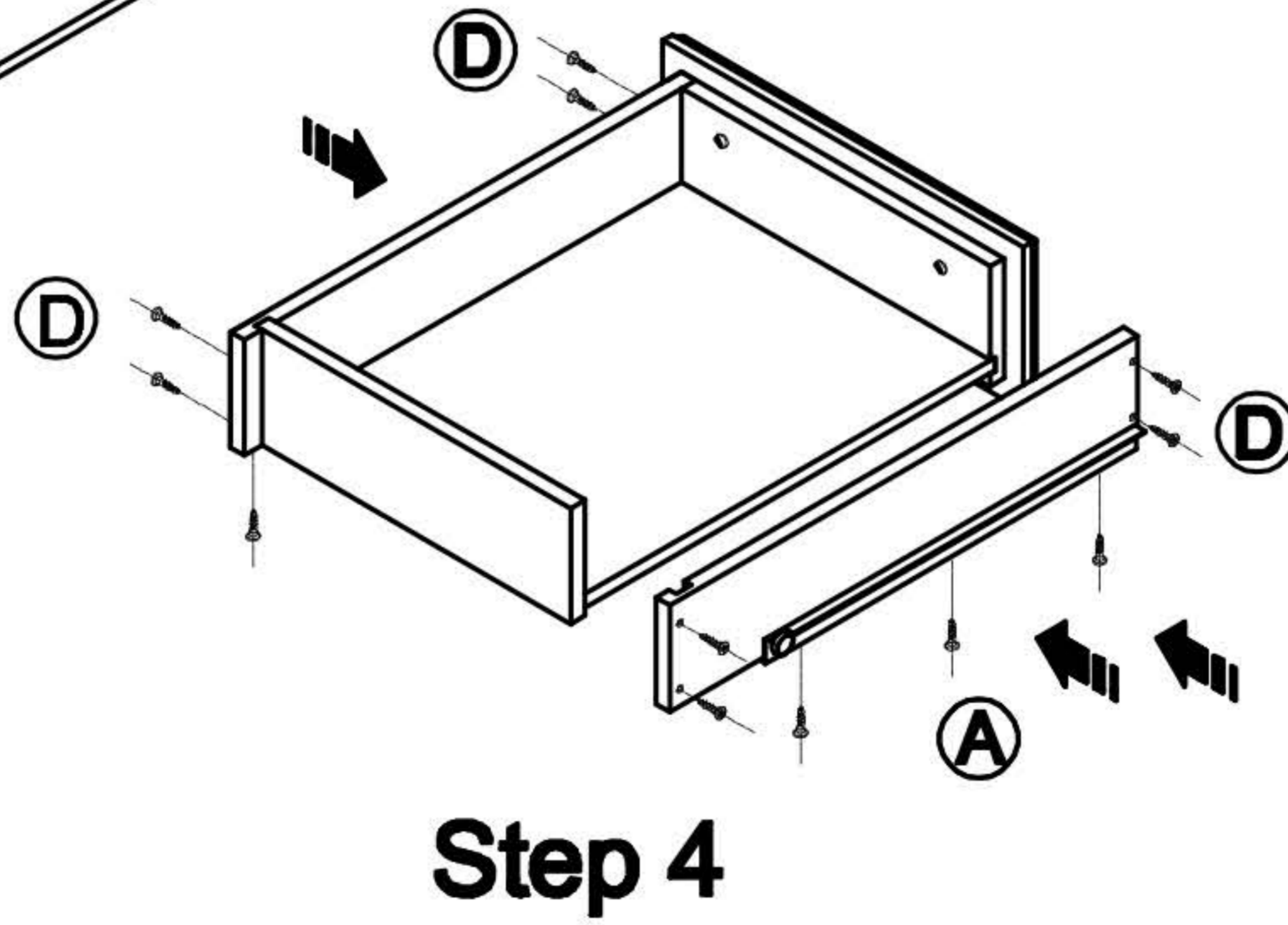
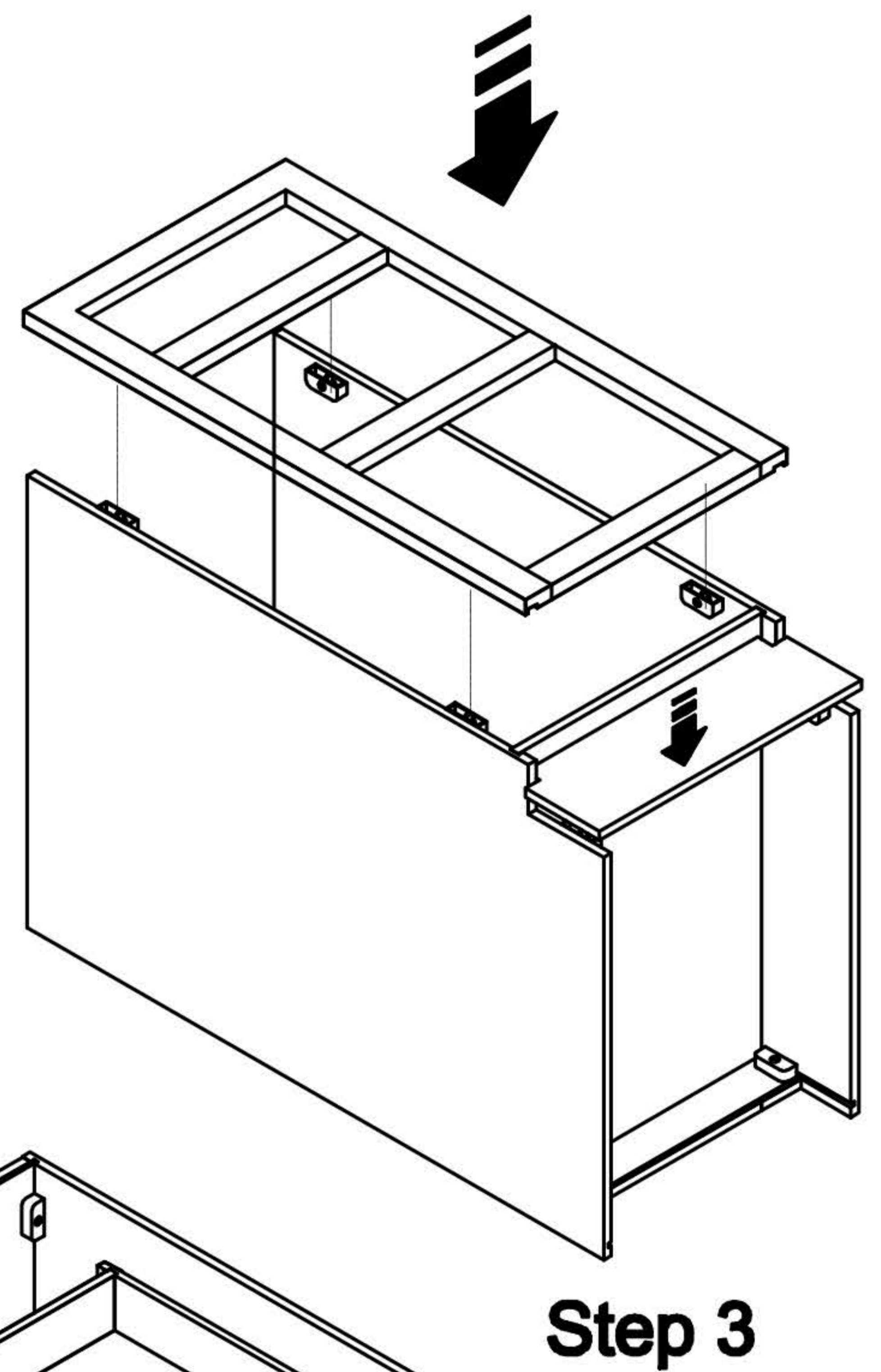
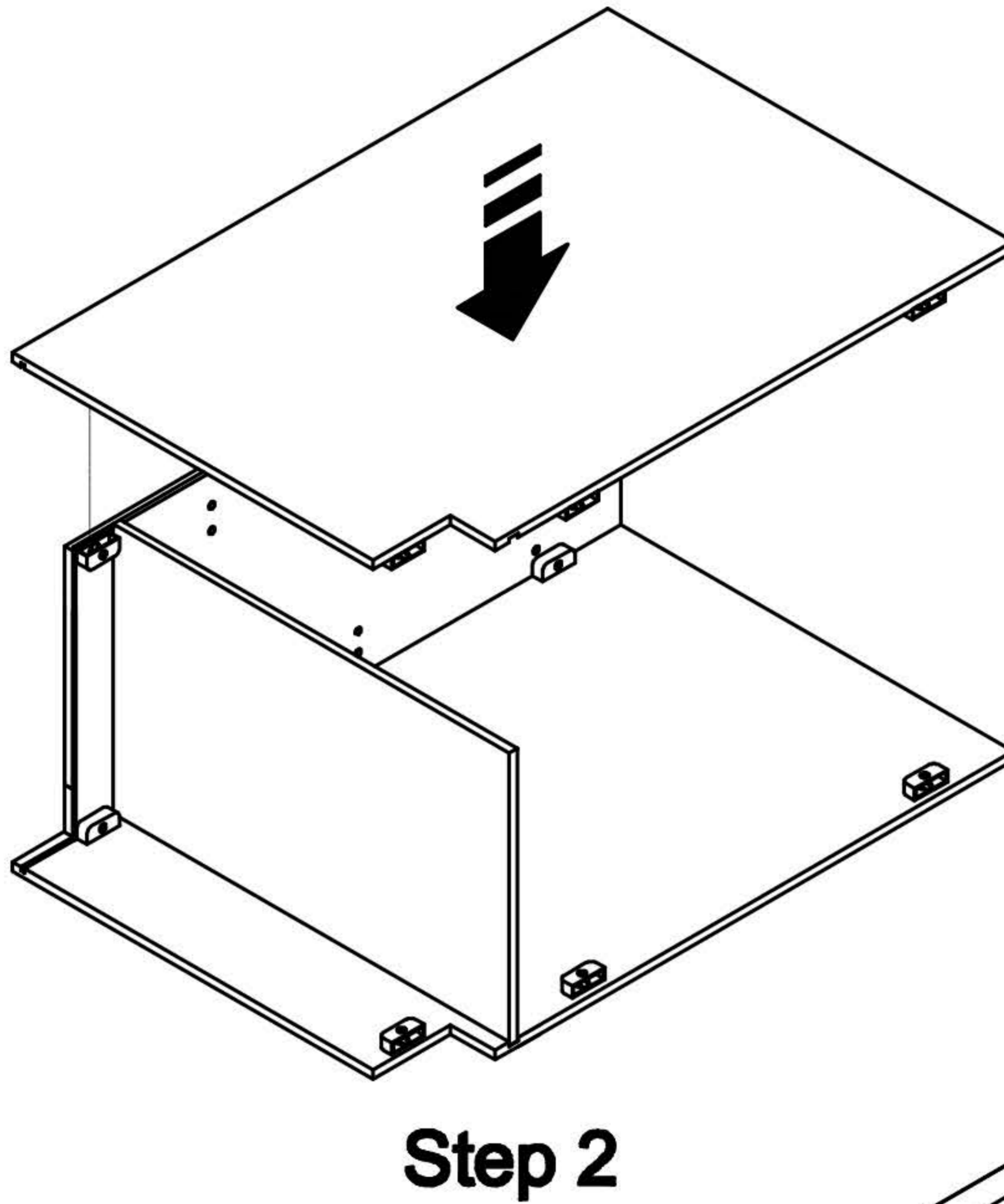
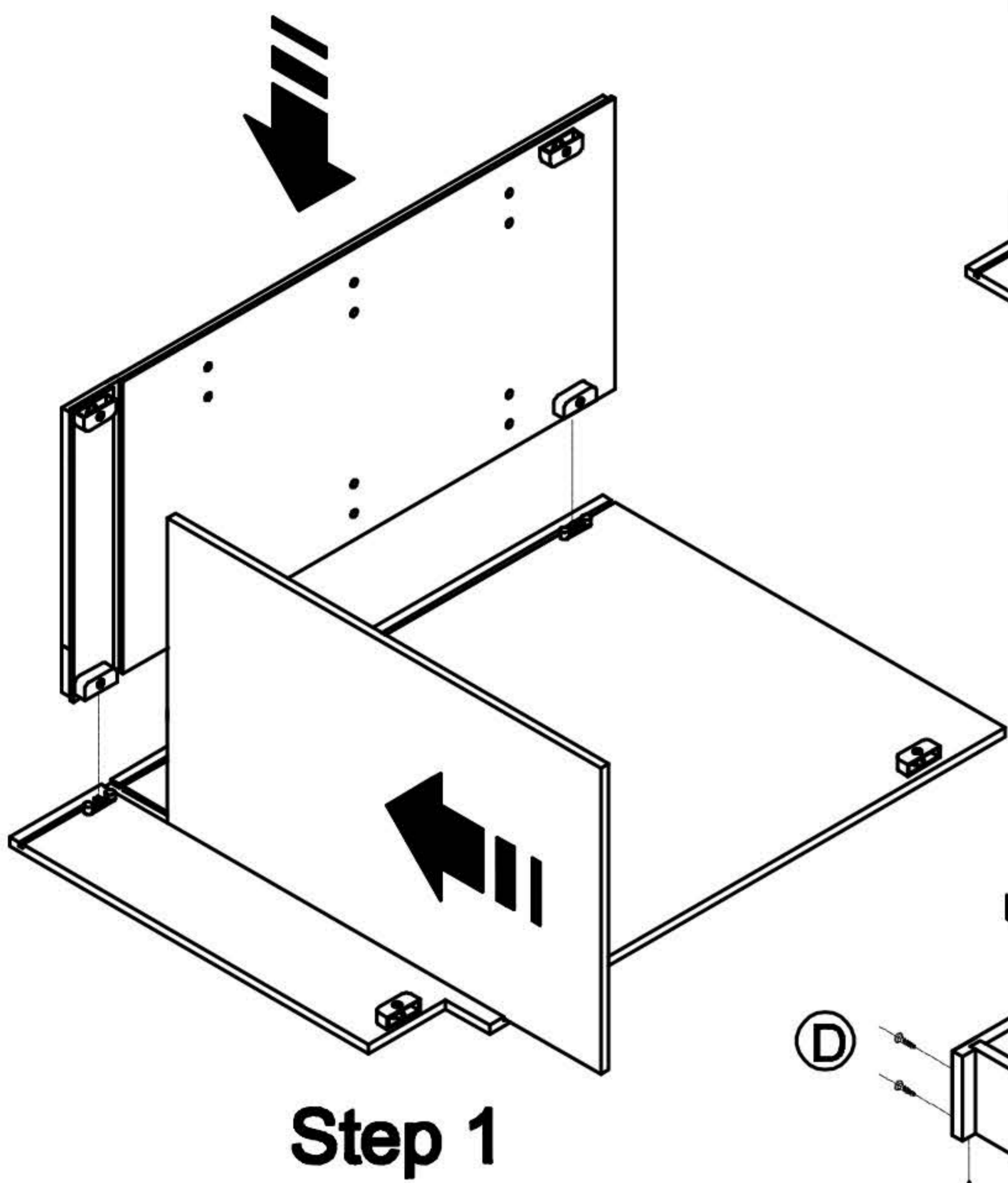
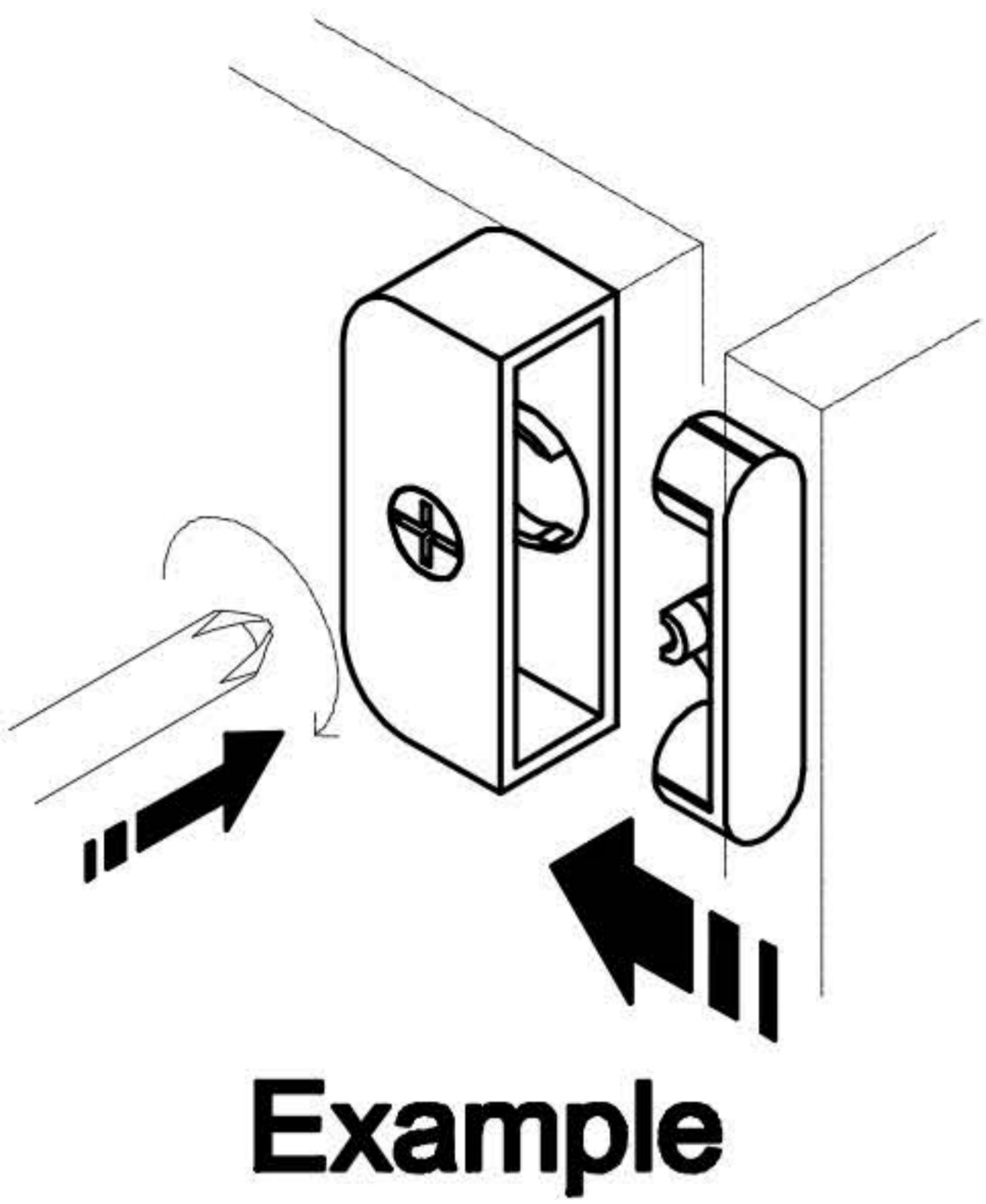


Step 6

## Mocha Shaker Pg. 6



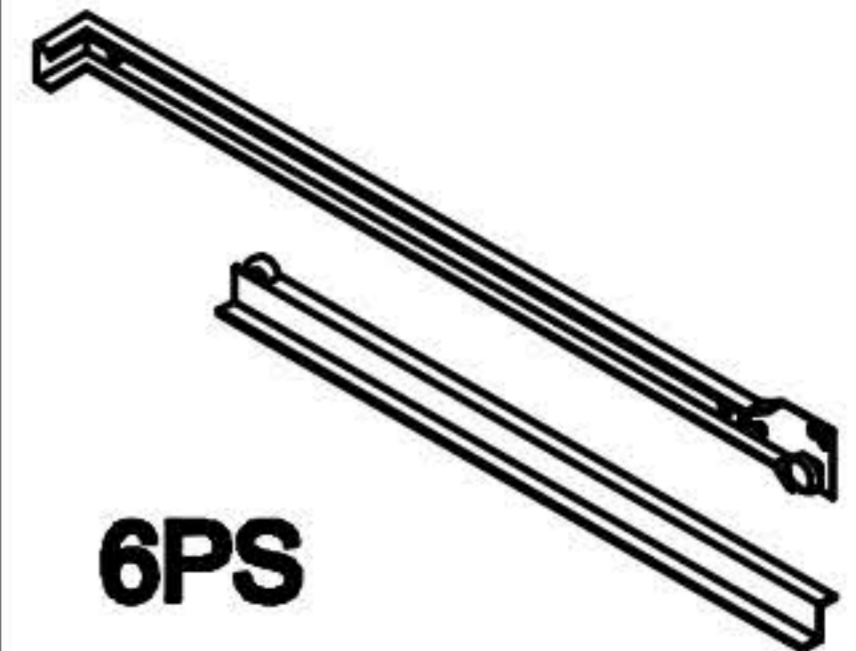
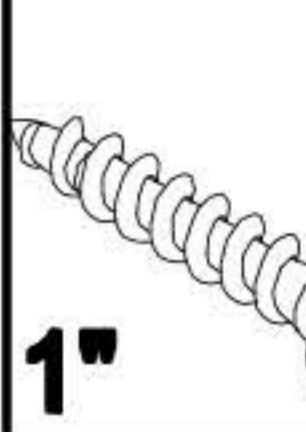
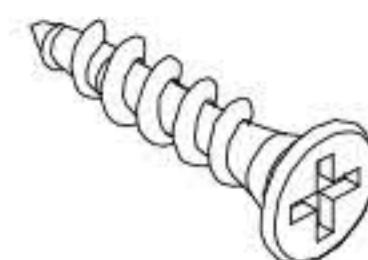
Code	A	B	C	D	E
Icon	 1 1/2"			 1"	 5/8"
Number	18PS	6PS	6PS	24PS	18PS

DB12-3, DB15-3, DB18-3  
DB21-3, VDB1221-3, VDB1521-3  
VDB1821-3

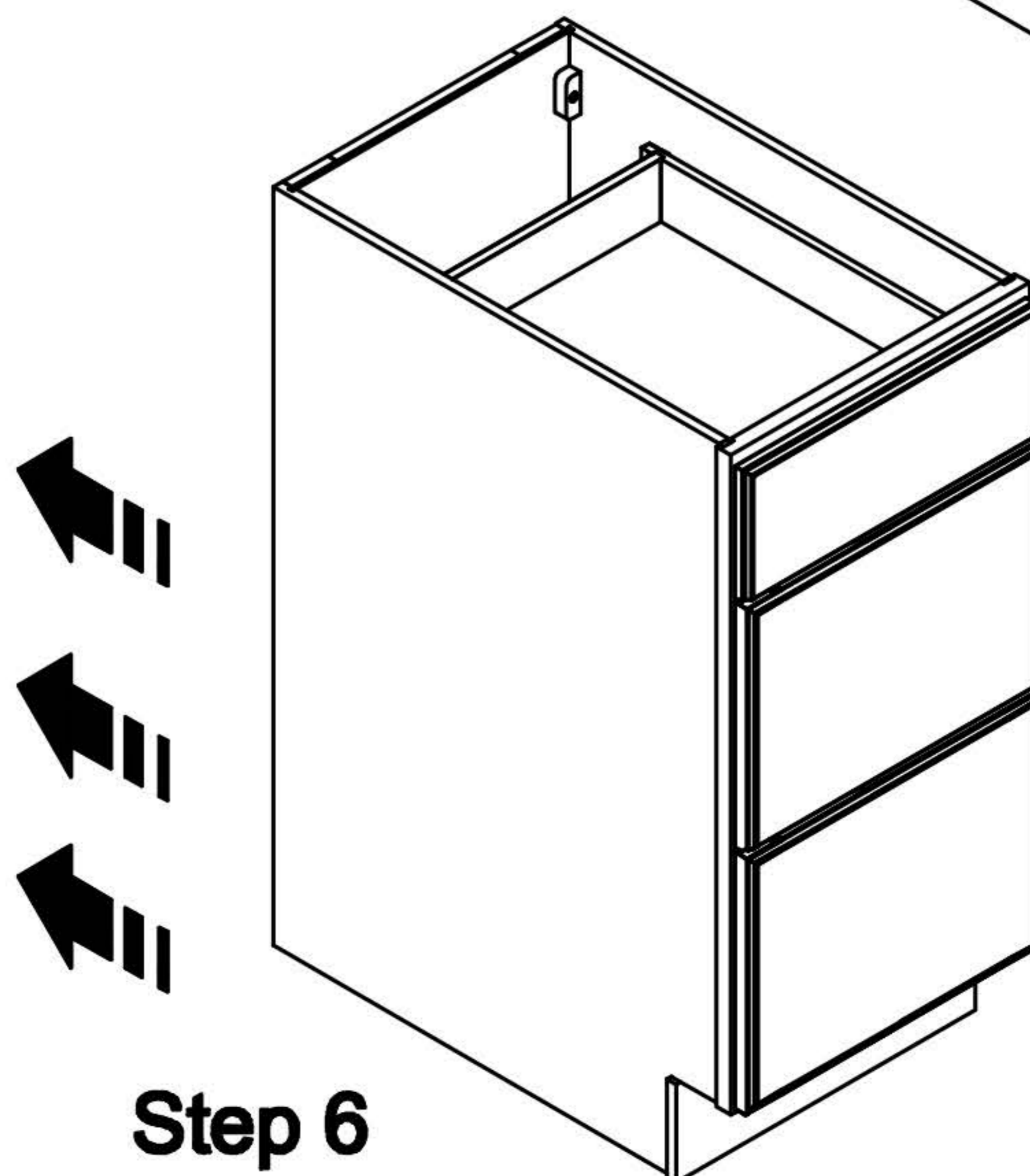
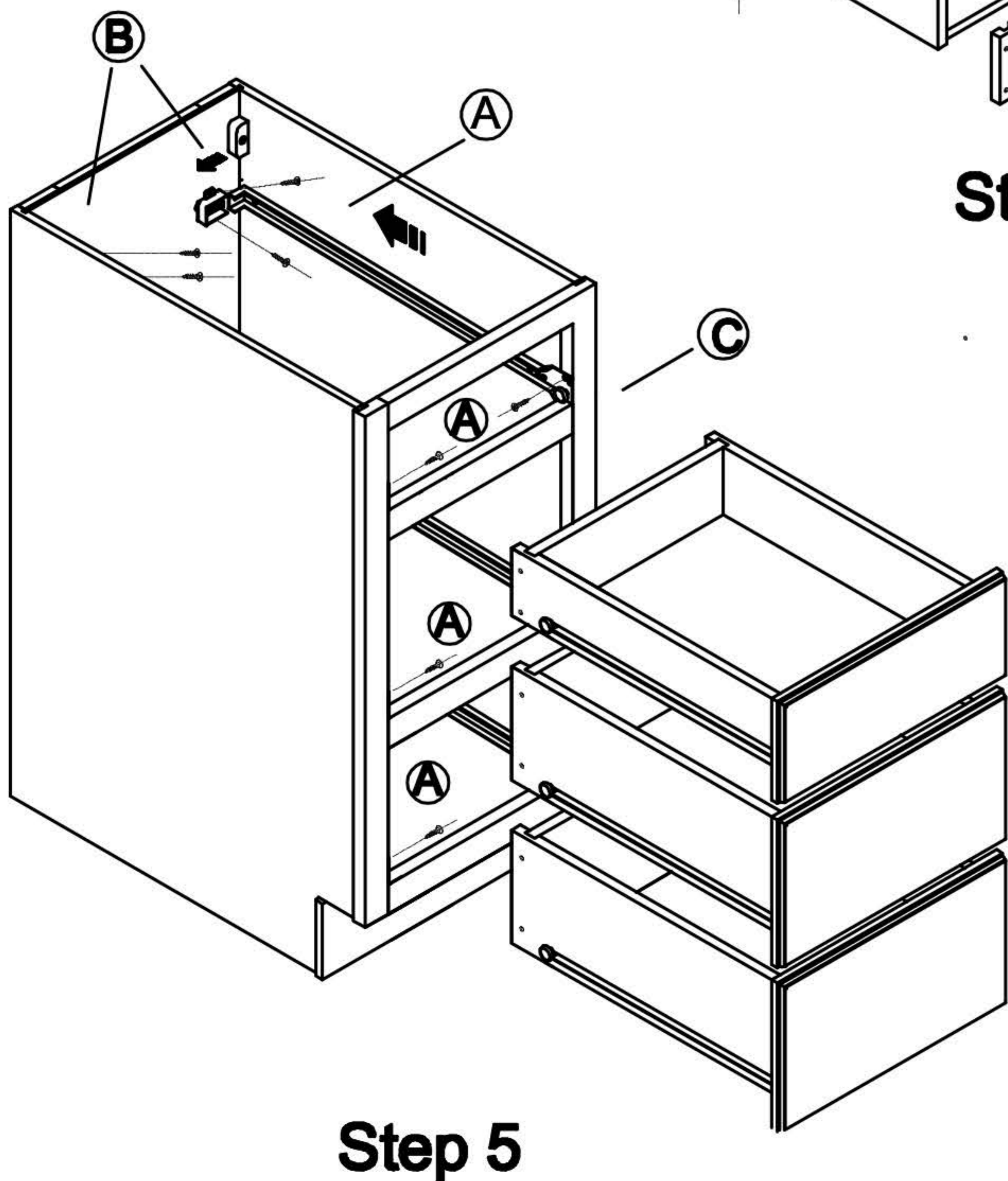
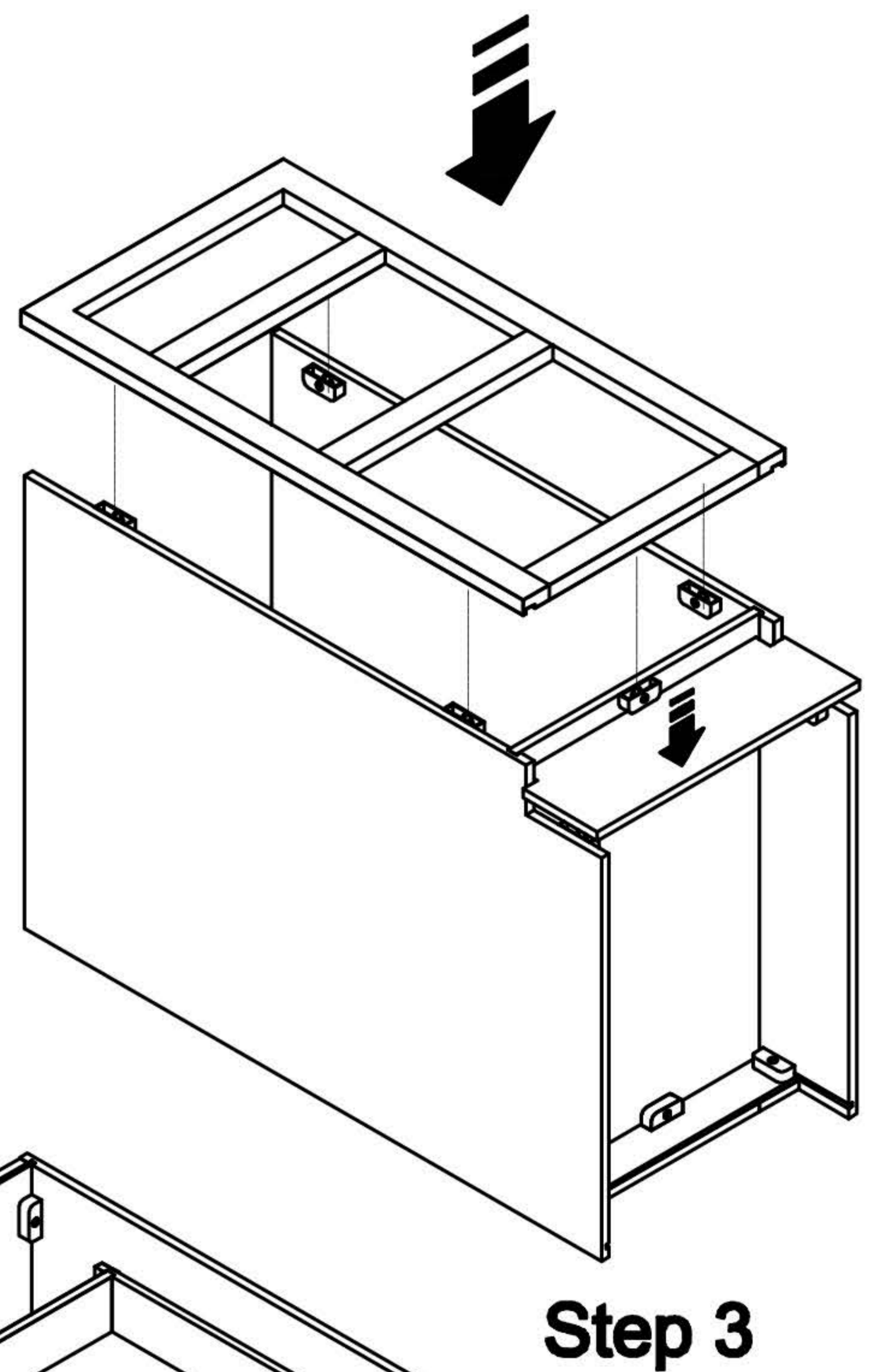
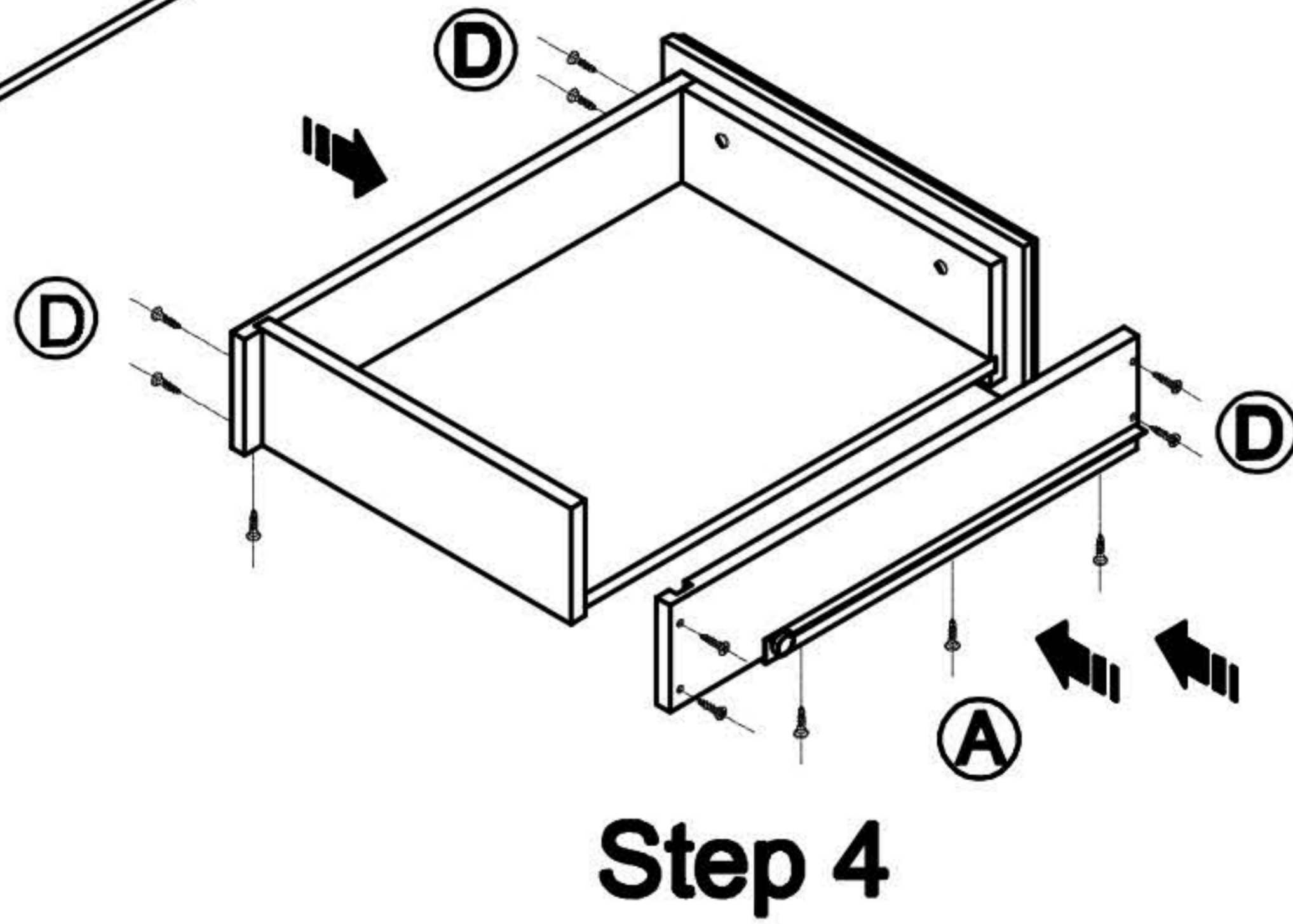
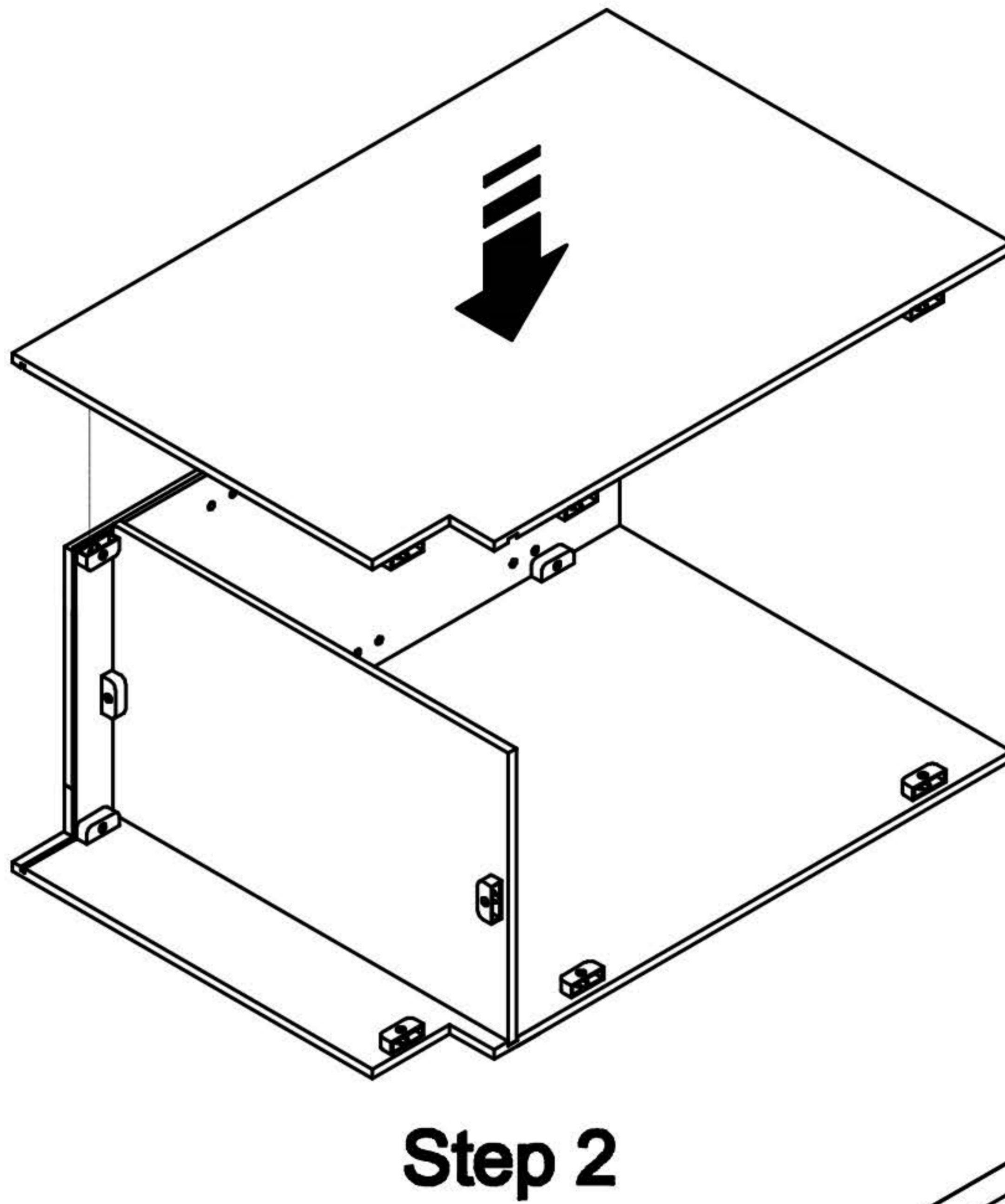
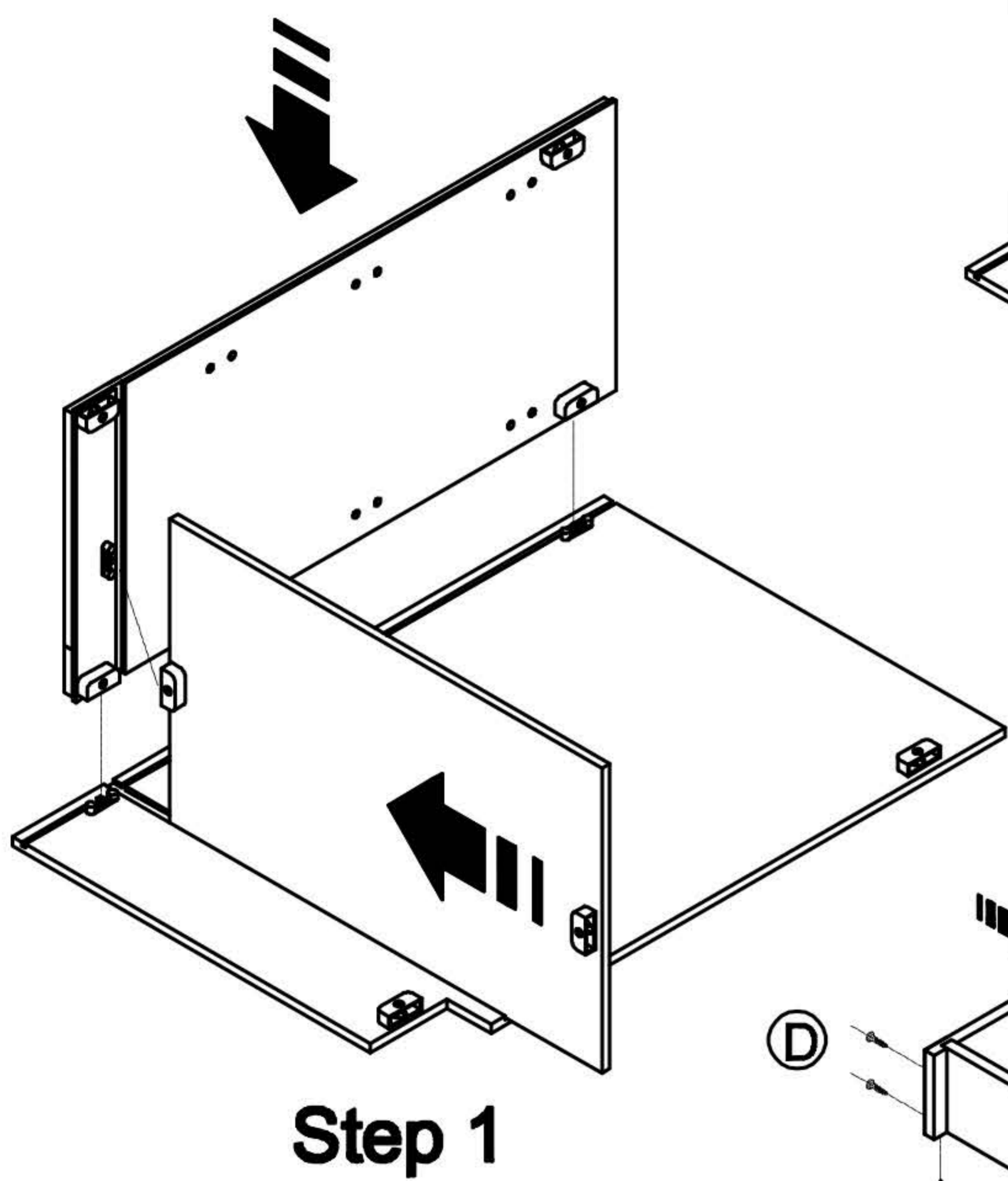
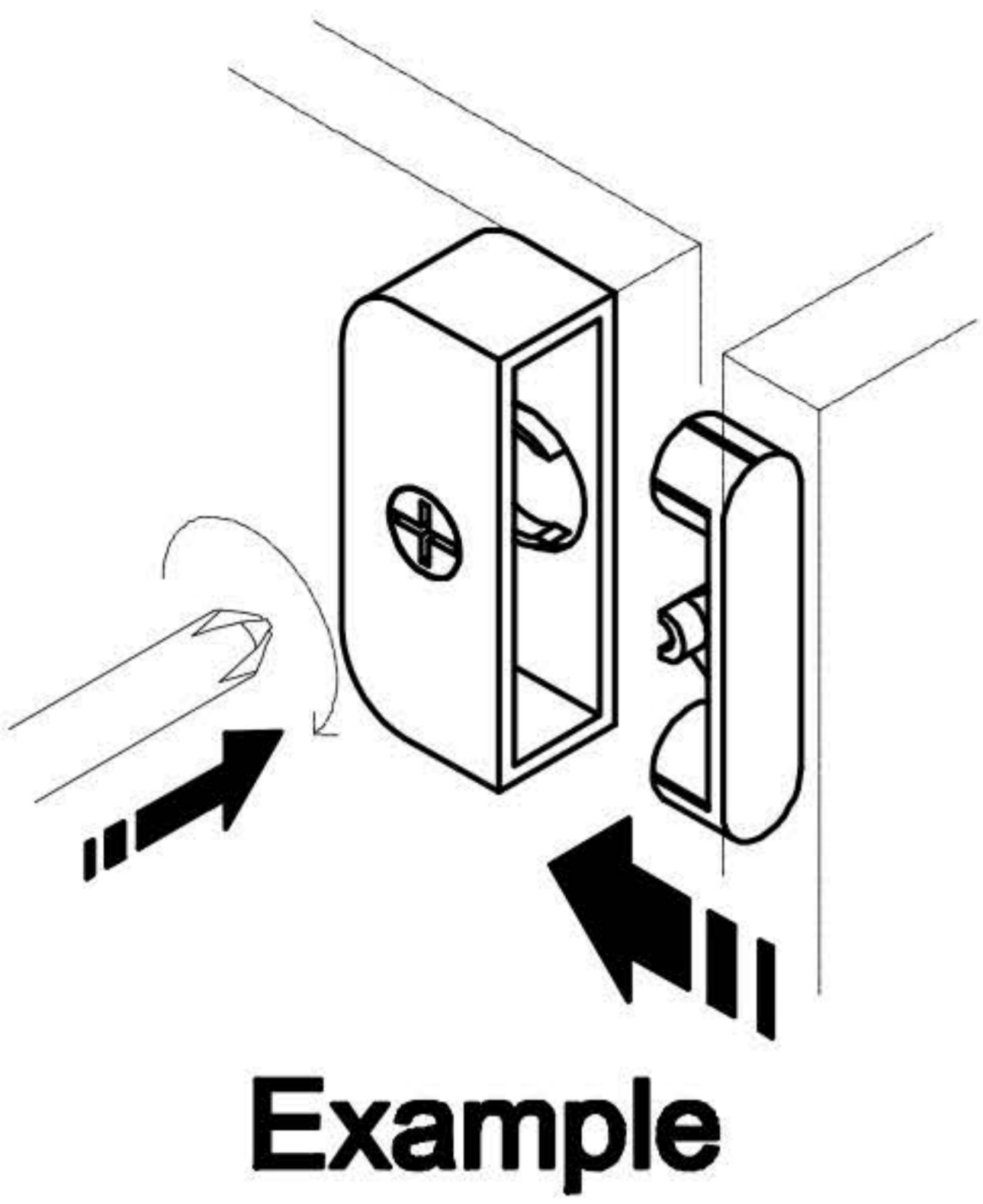


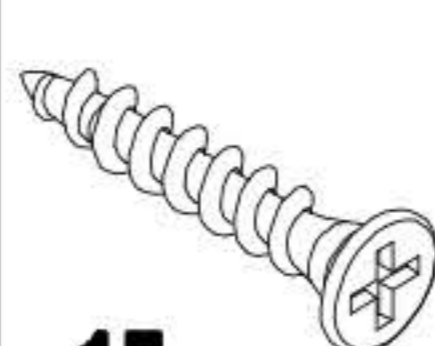

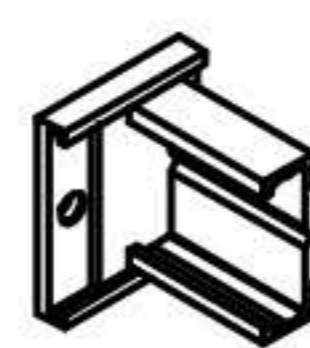
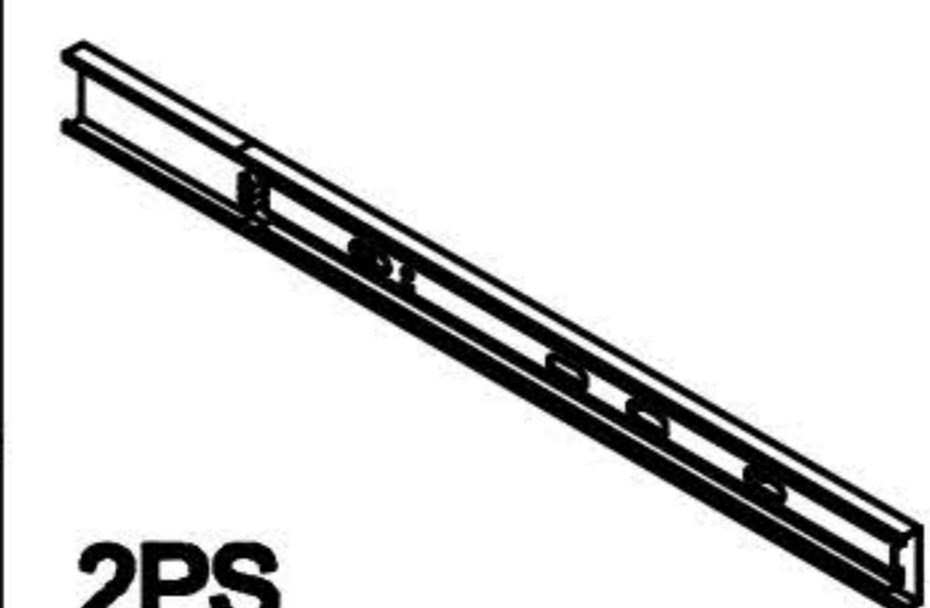
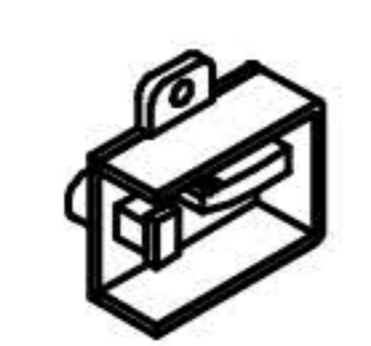
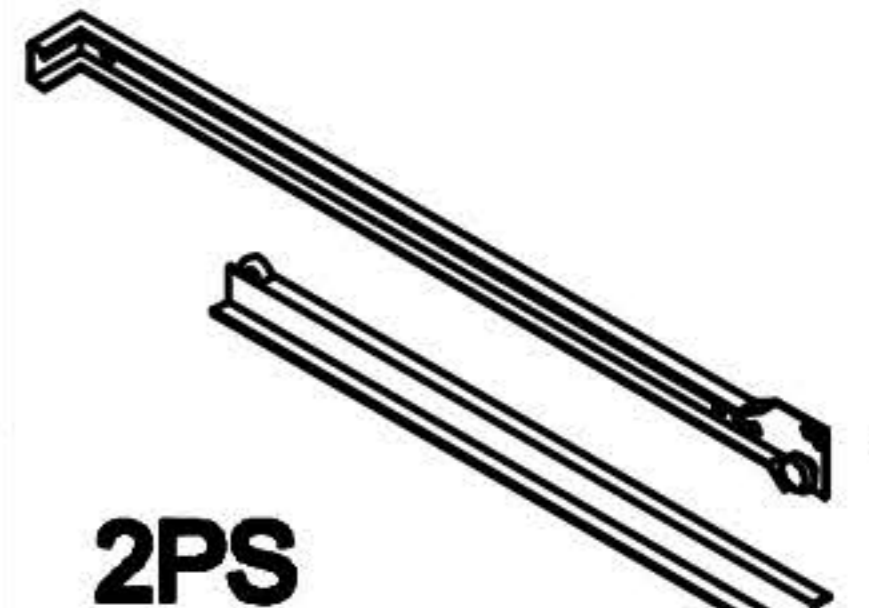

# LORY CABINETS

## Mocha Shaker Pg. 7

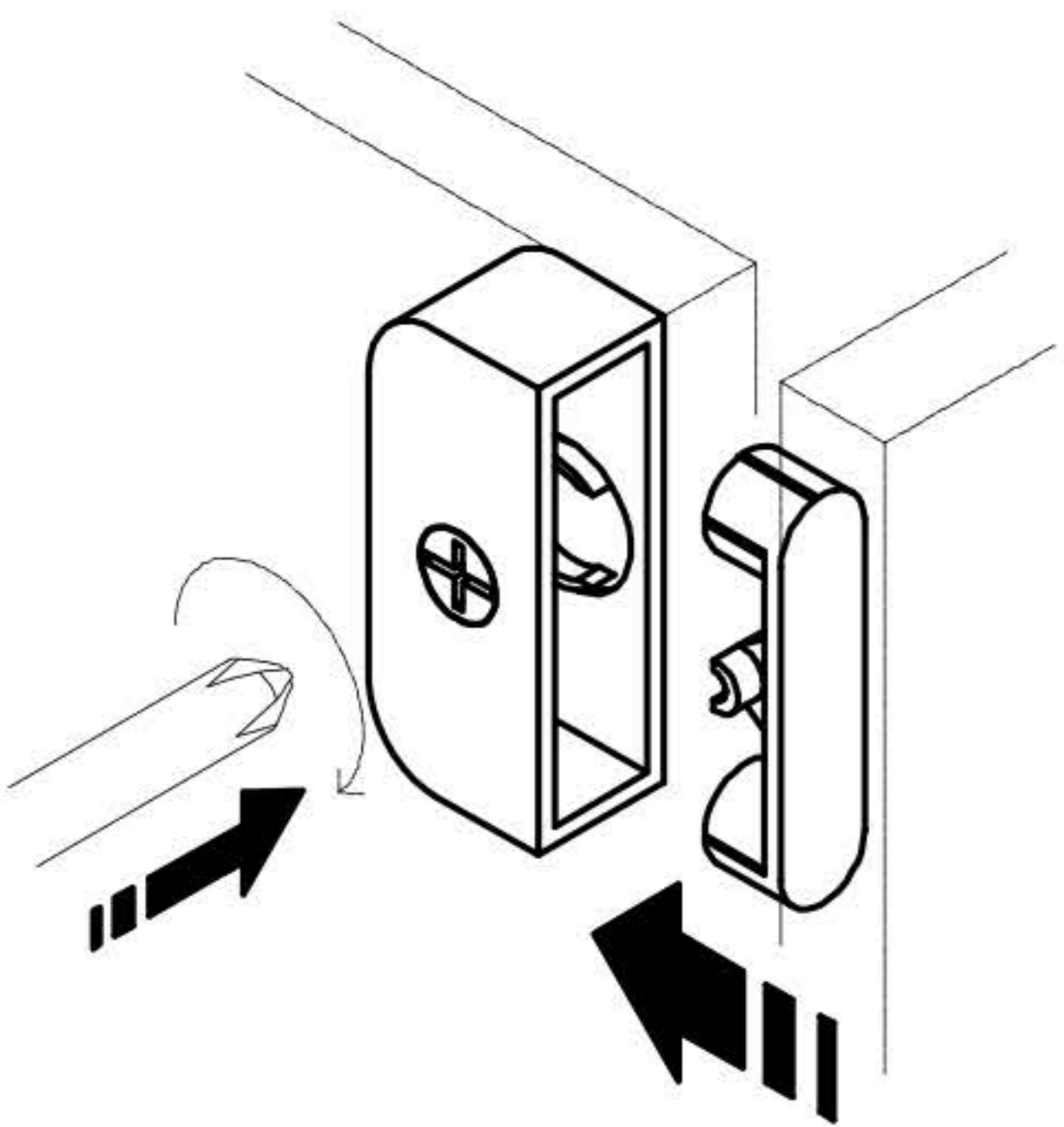
Code	A	B	C	D	E
Icon					
	1/2"			1"	5/8"
Number	18PS	6PS	6PS	24PS	18PS

DB24-3, DB27-3, DB30-3, DB33-3  
DB36-3

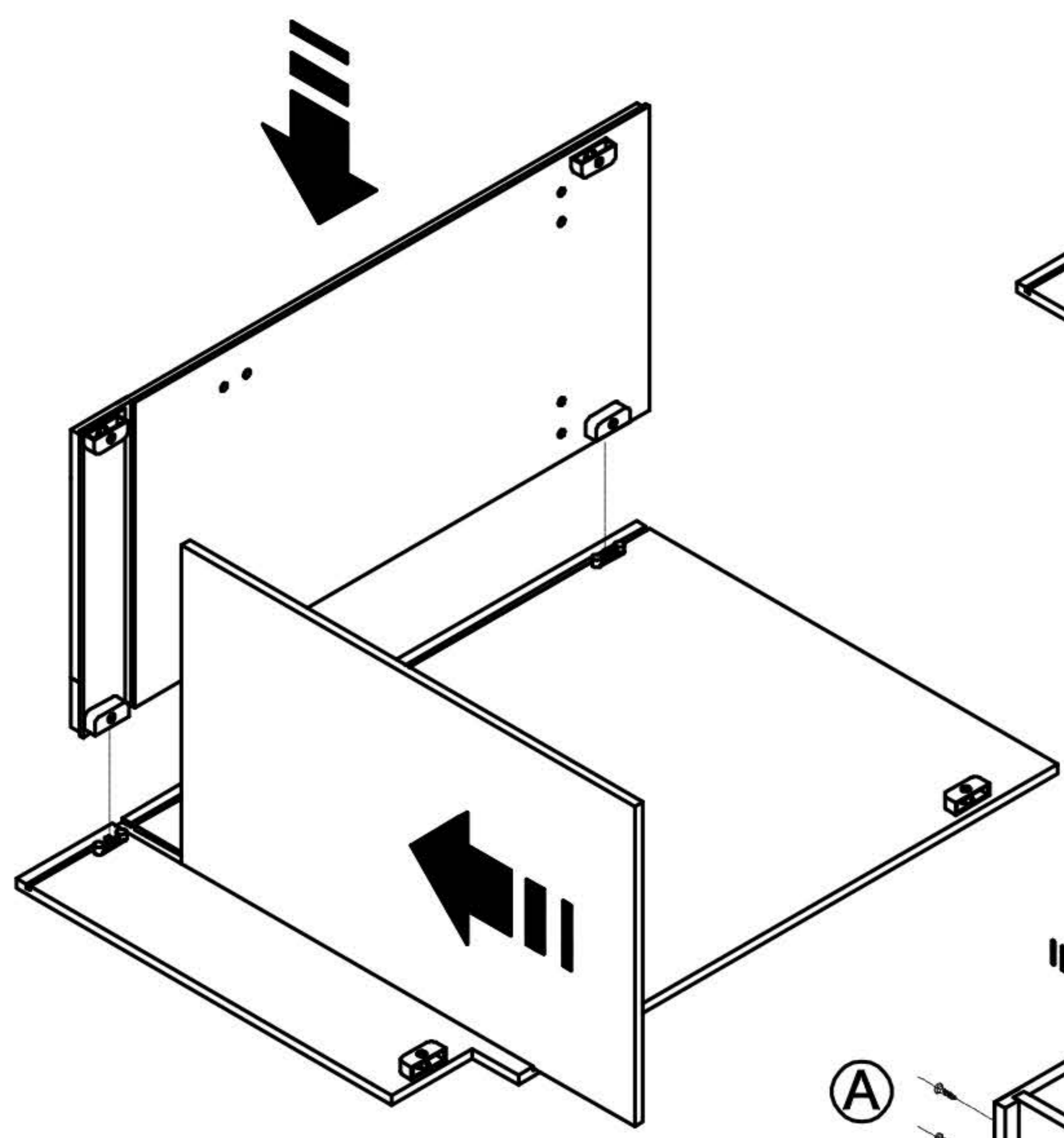


Code	A	B	C	D	E	F	G
Icon	 1"	 1 1/2"					 5/8"
Number	8PS	16PS	2PS	2PS	2PS	2PS	6PS

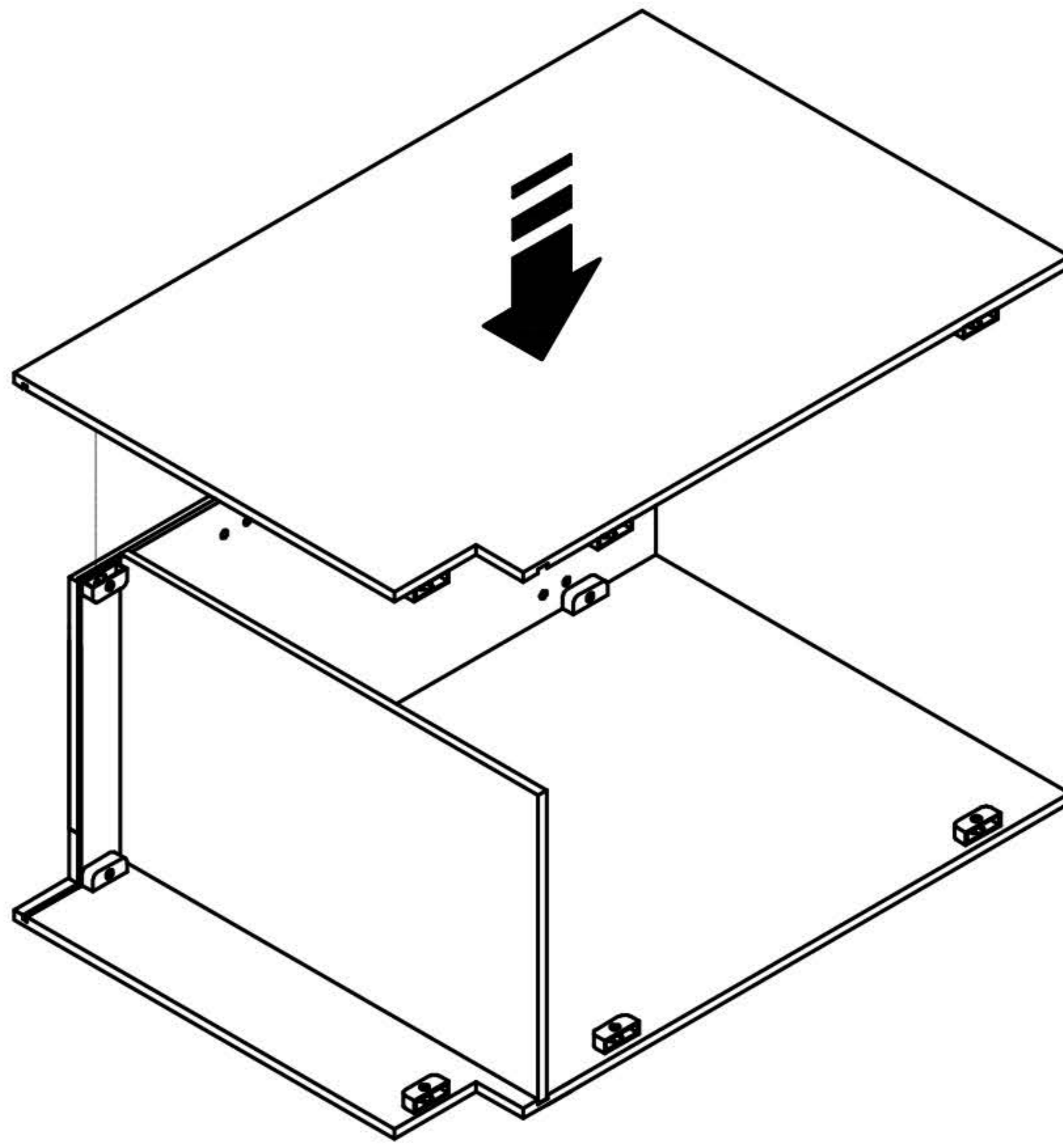
### BWBK-18



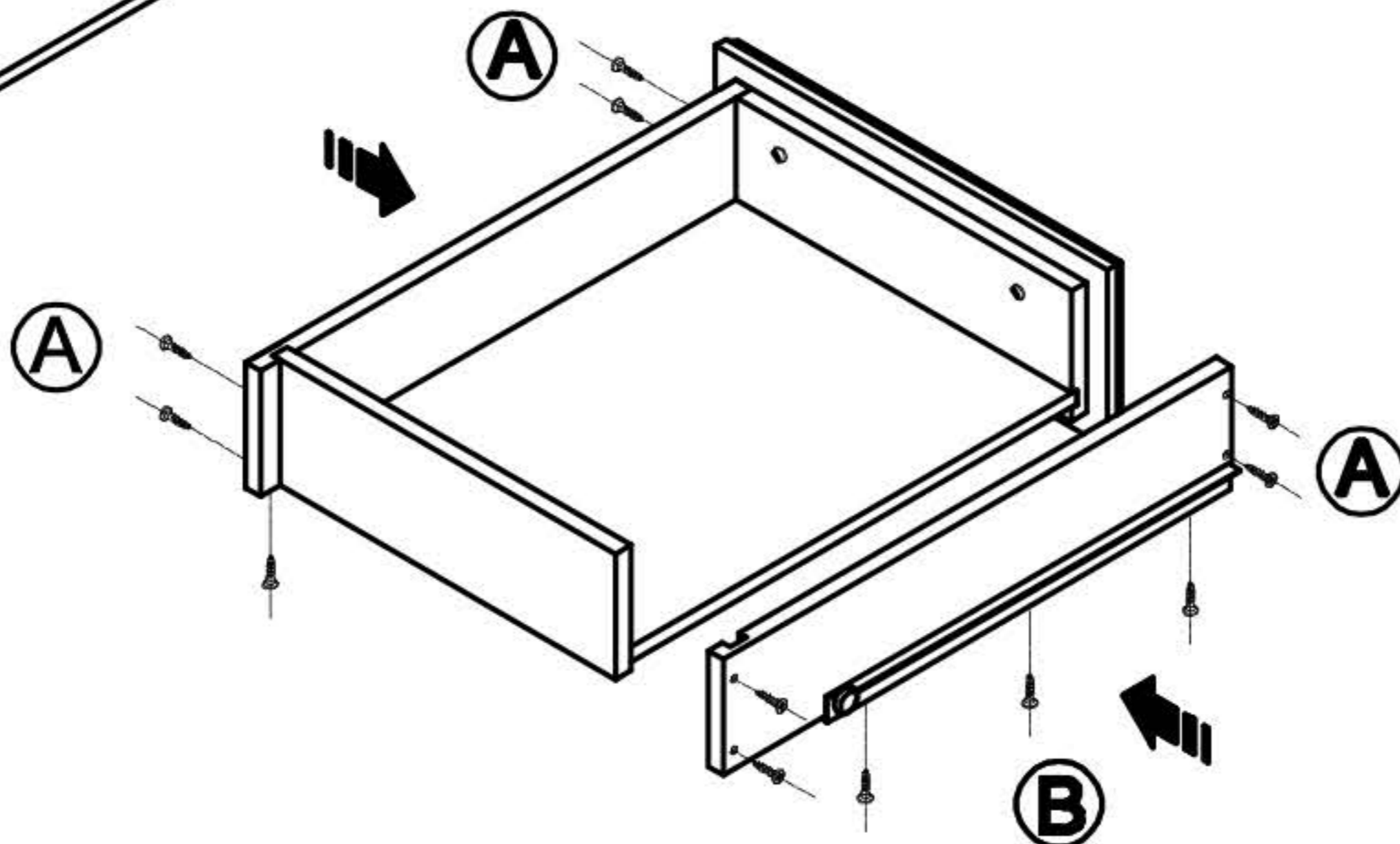
Example



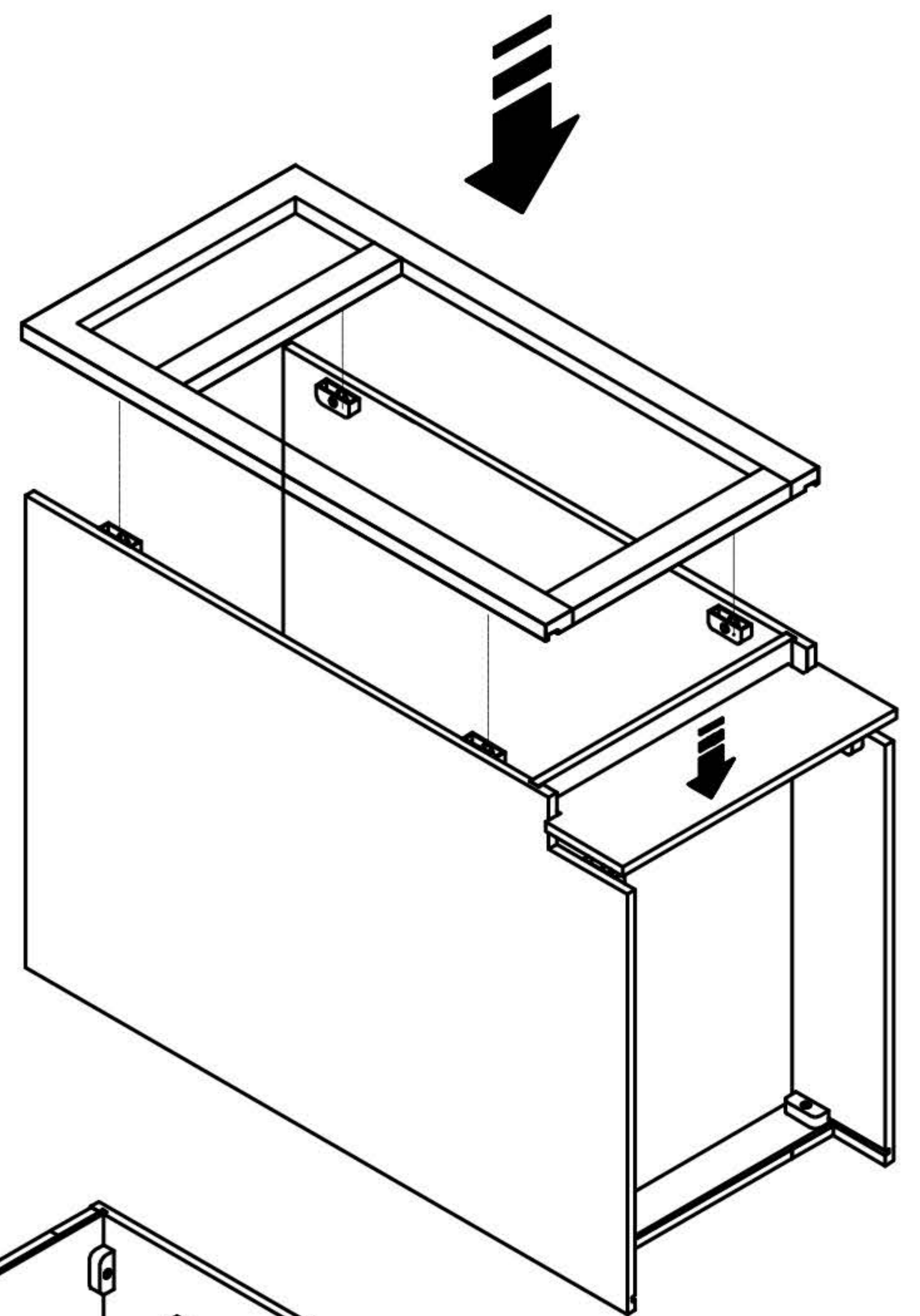
Step 1



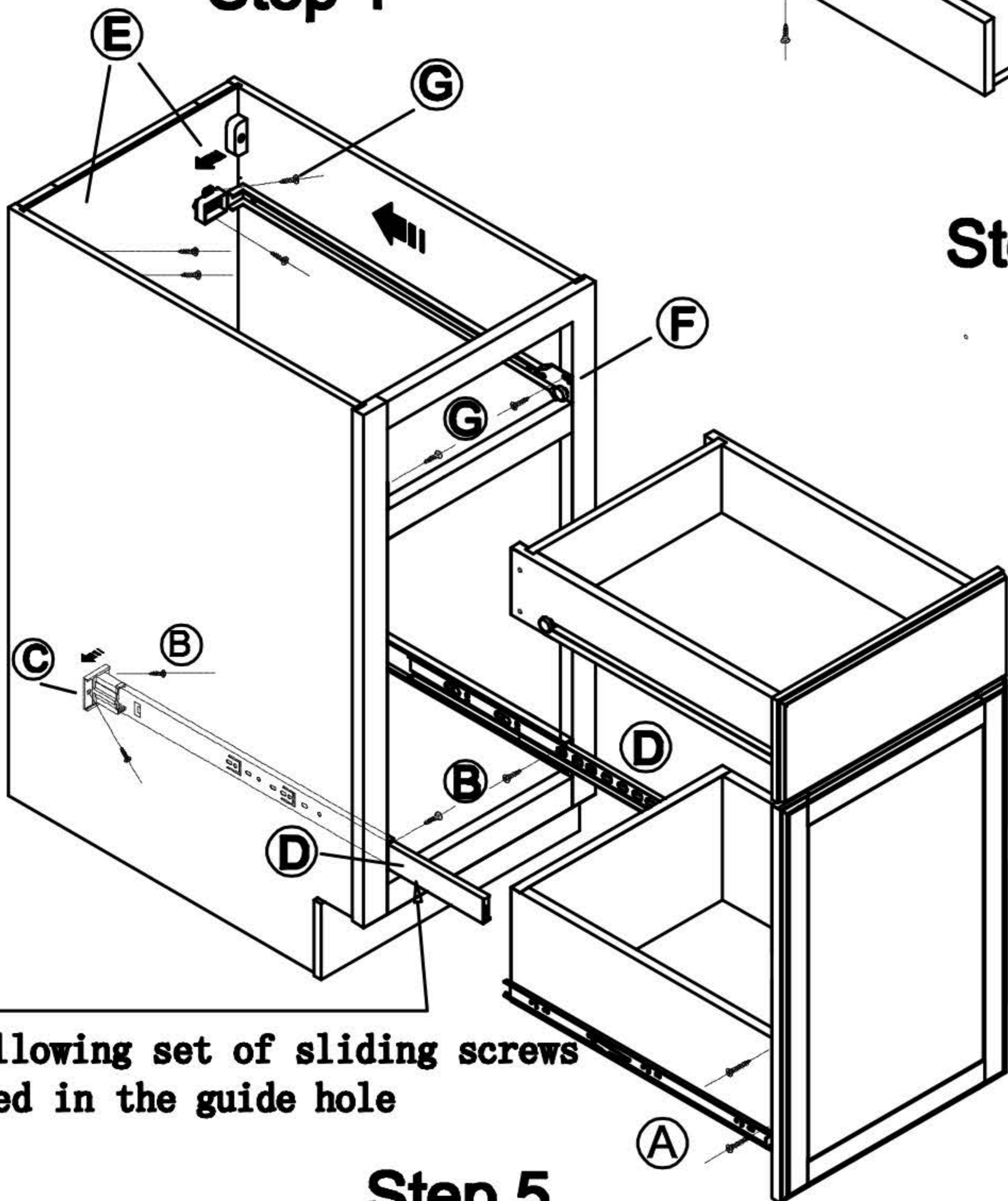
Step 2



Step 4



Step 3



Step 5

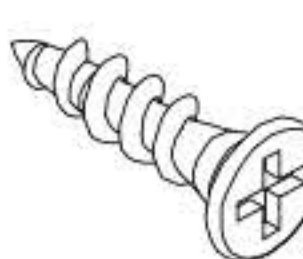
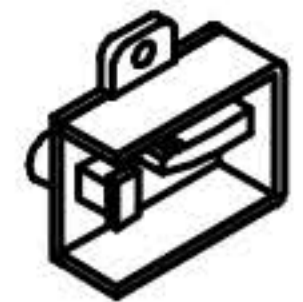
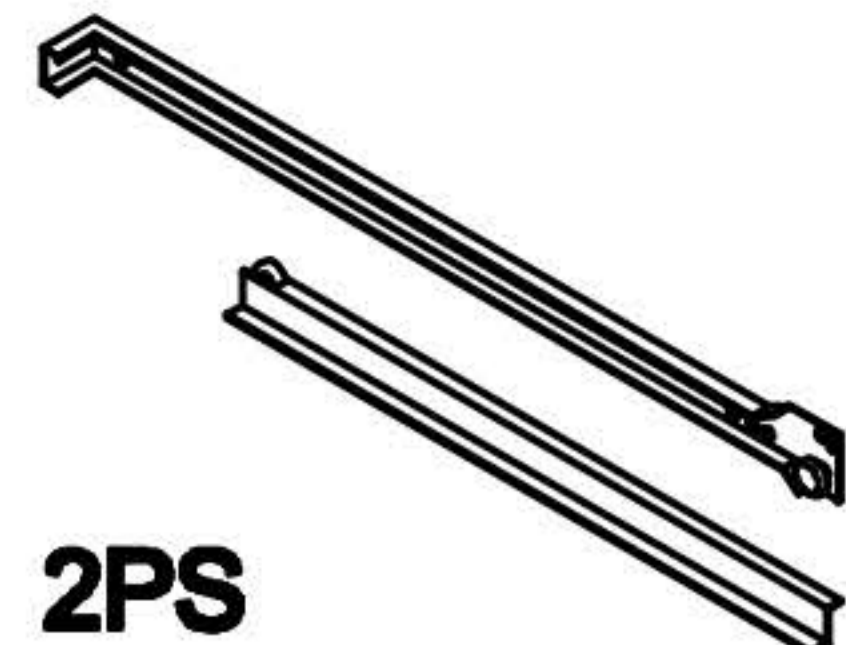
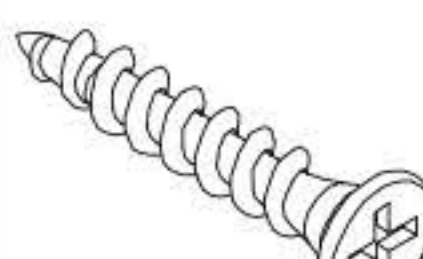
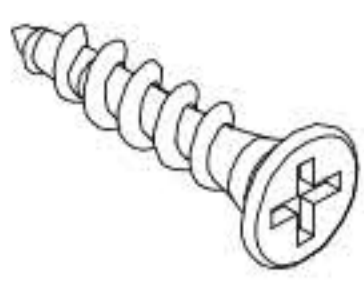


Step 6

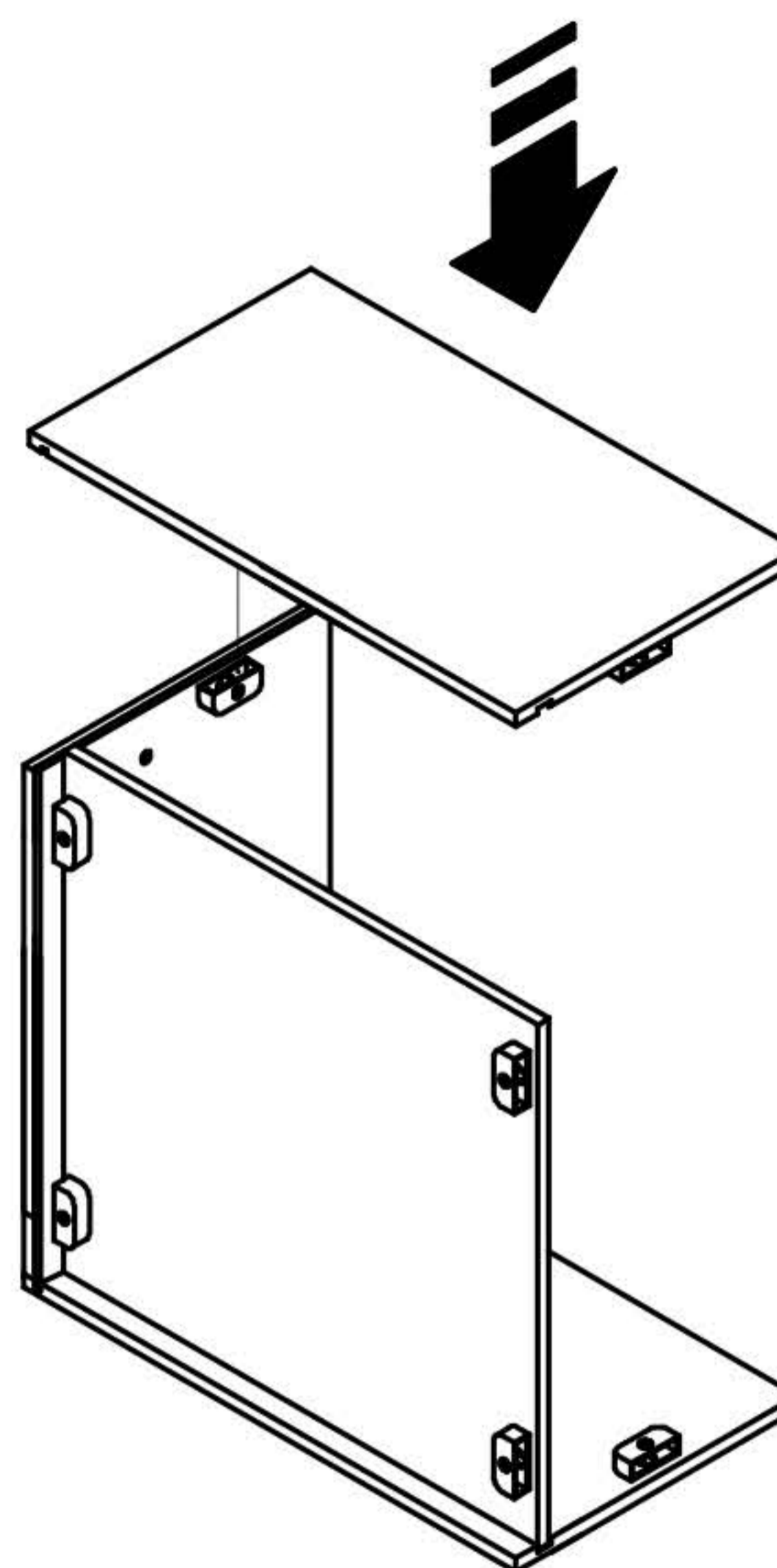
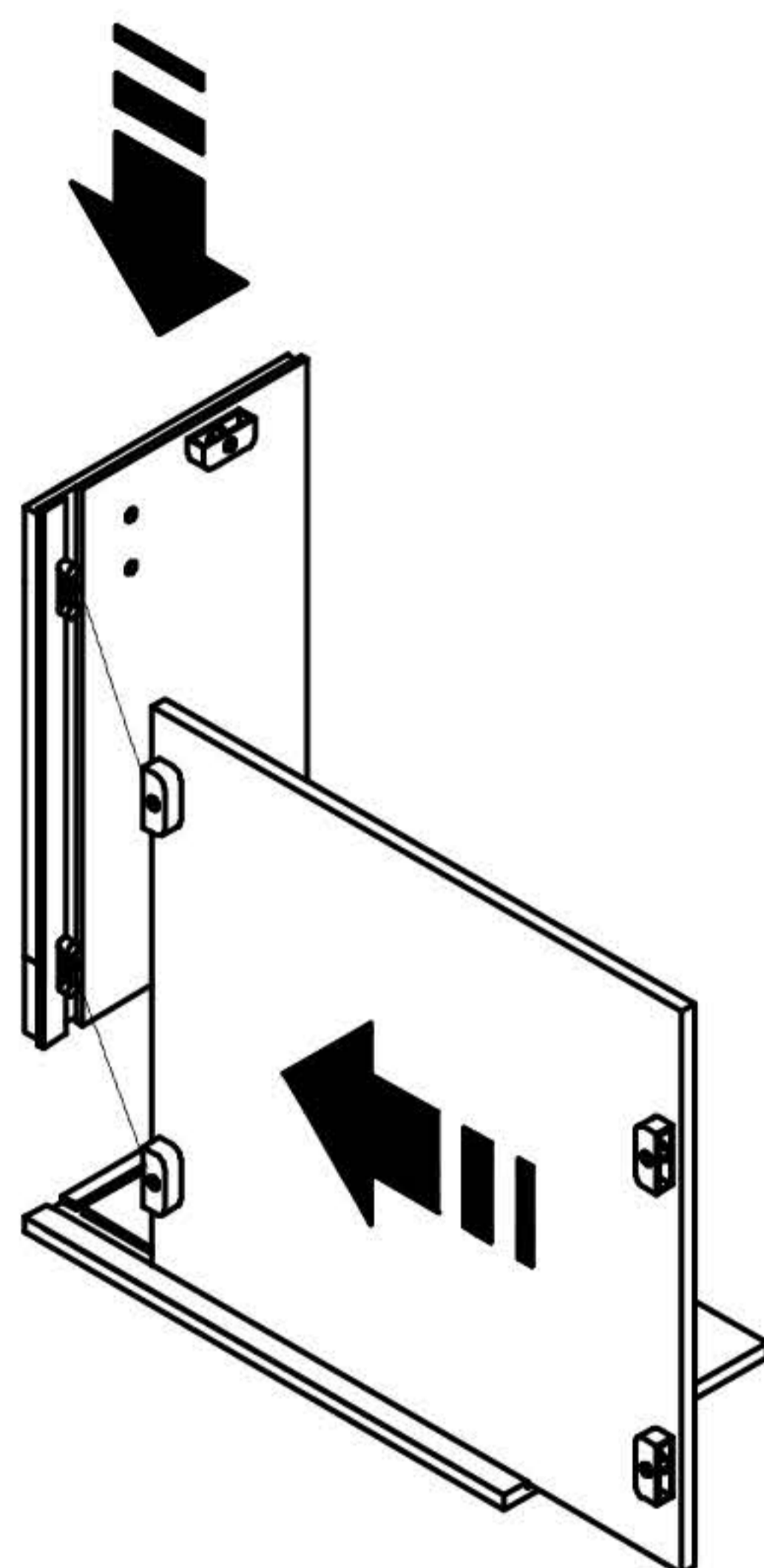
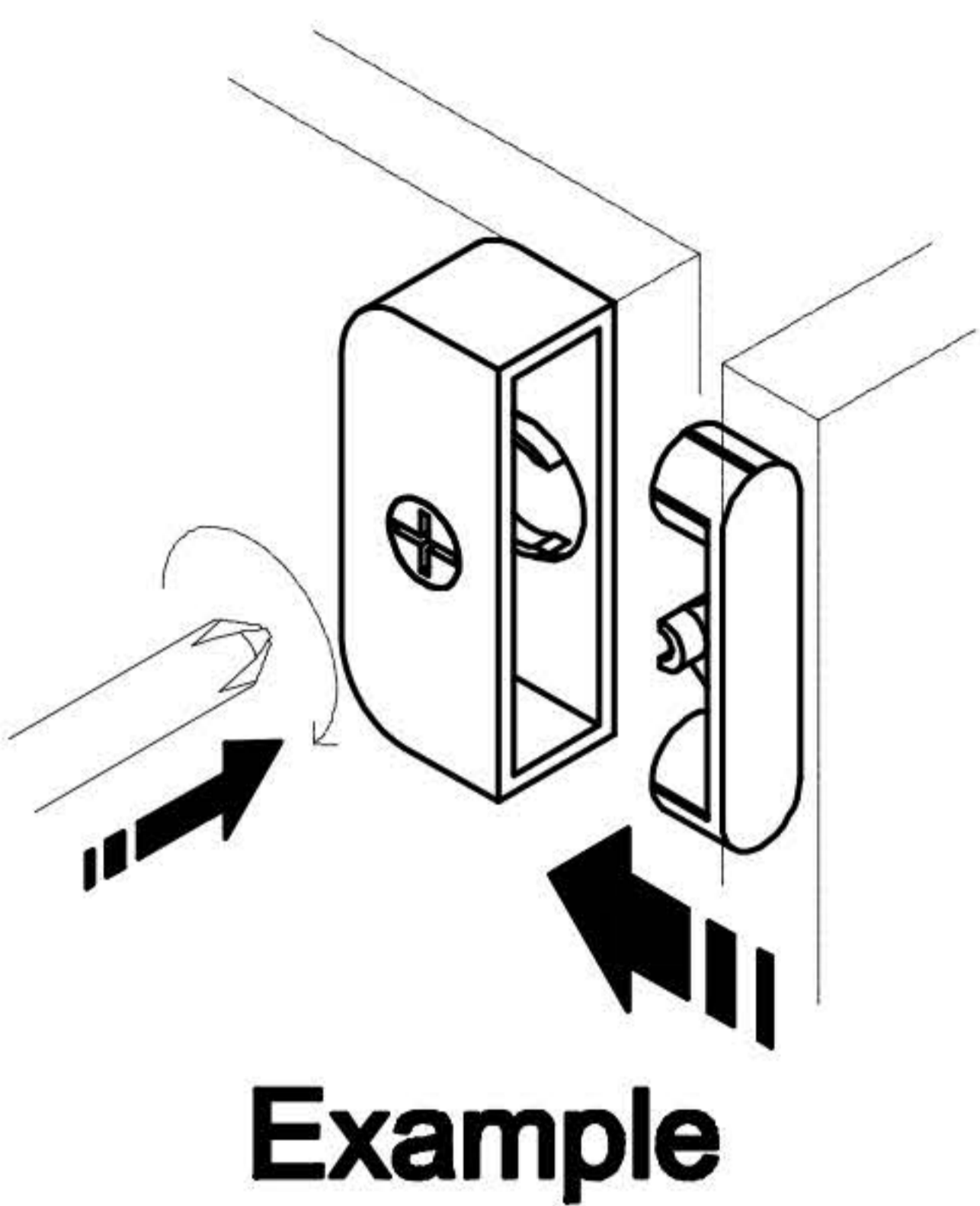
The following set of sliding screws arranged in the guide hole

# LORY CABINETS

## Mocha Shaker Pg. 9

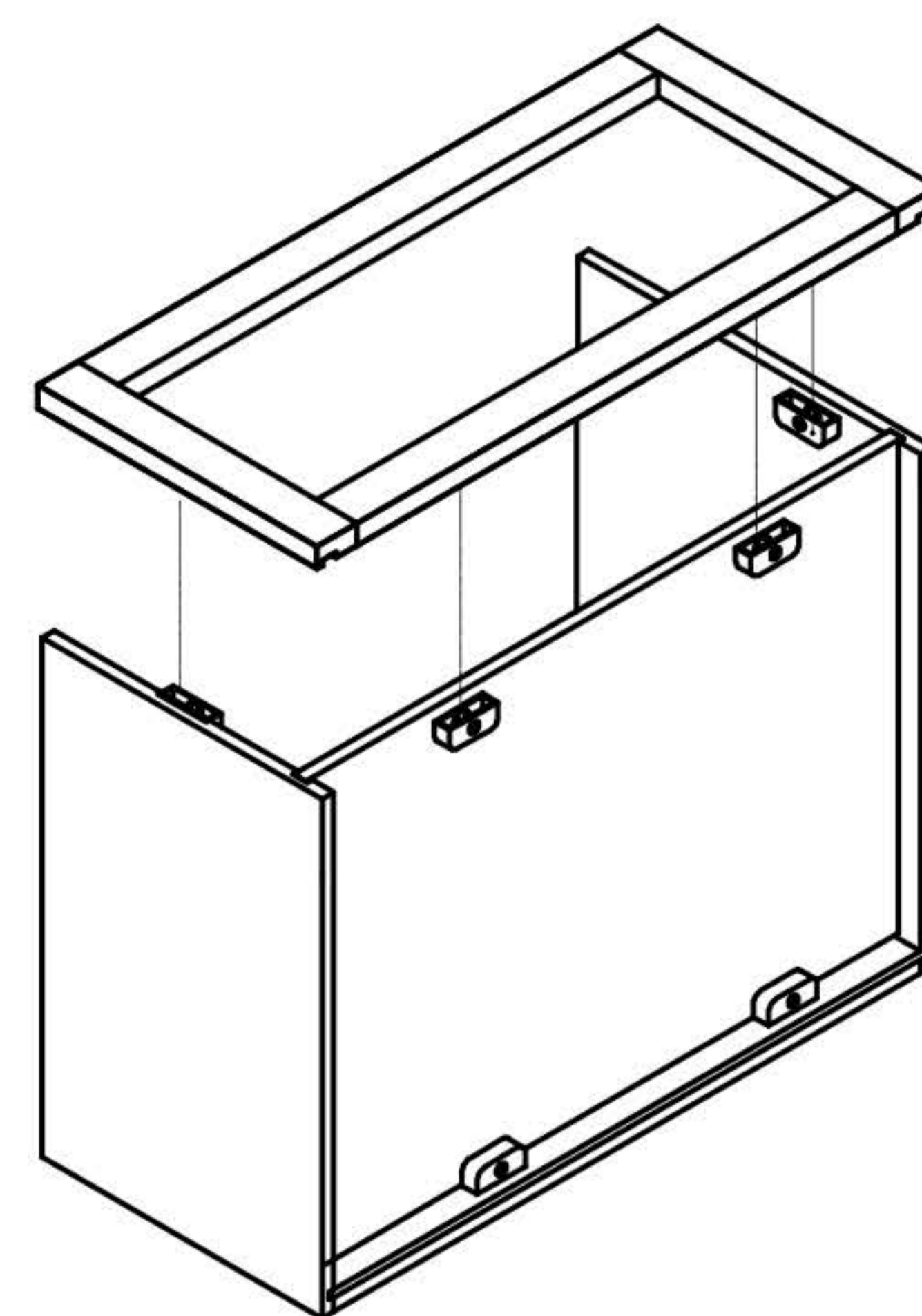
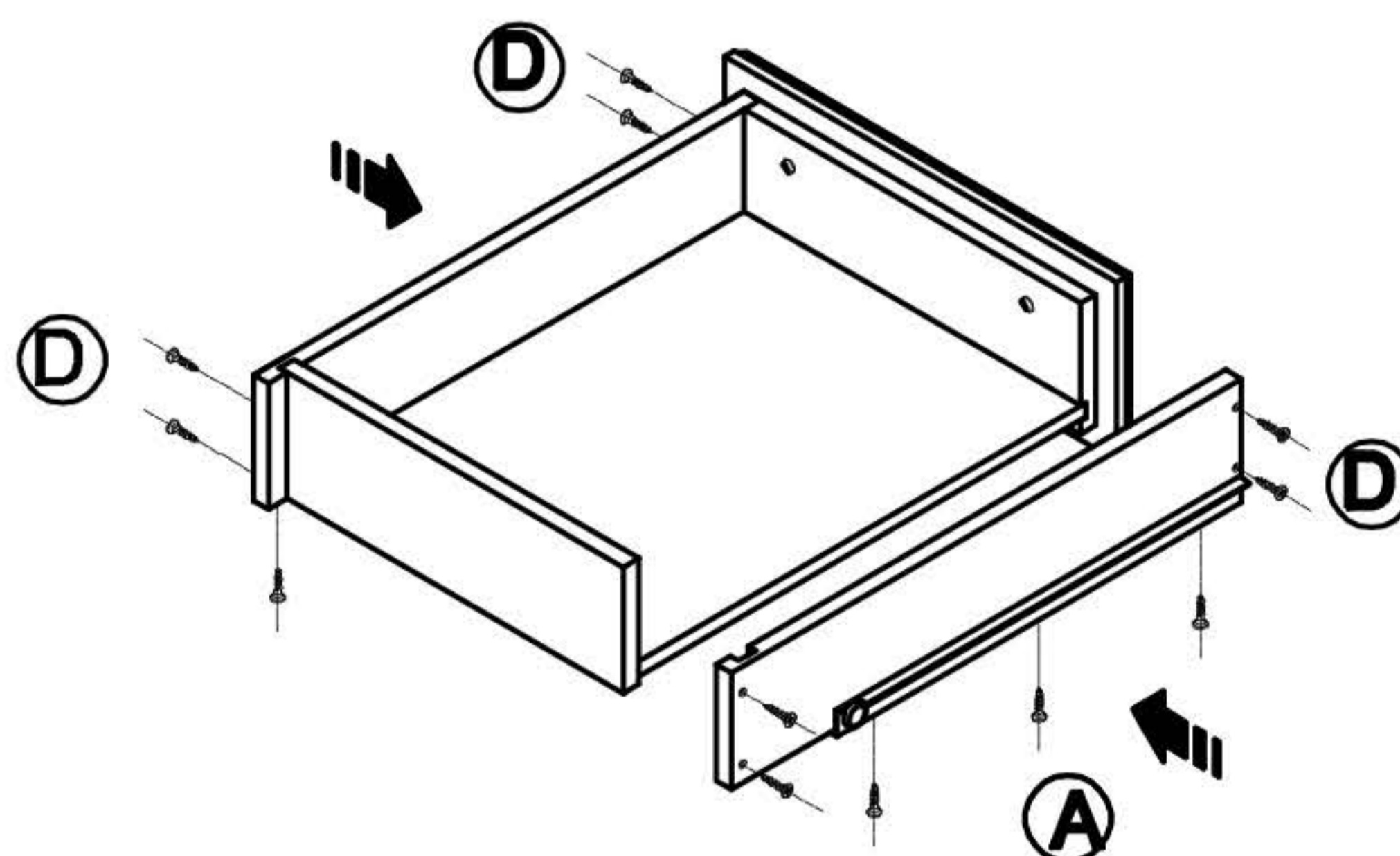
Code	A	B	C	D	E
Icon	 1 1/2"			 1"	 5/8"
Number	6PS	2PS	2PS	8PS	6PS

DSK2421, DSK2721, DSK3021

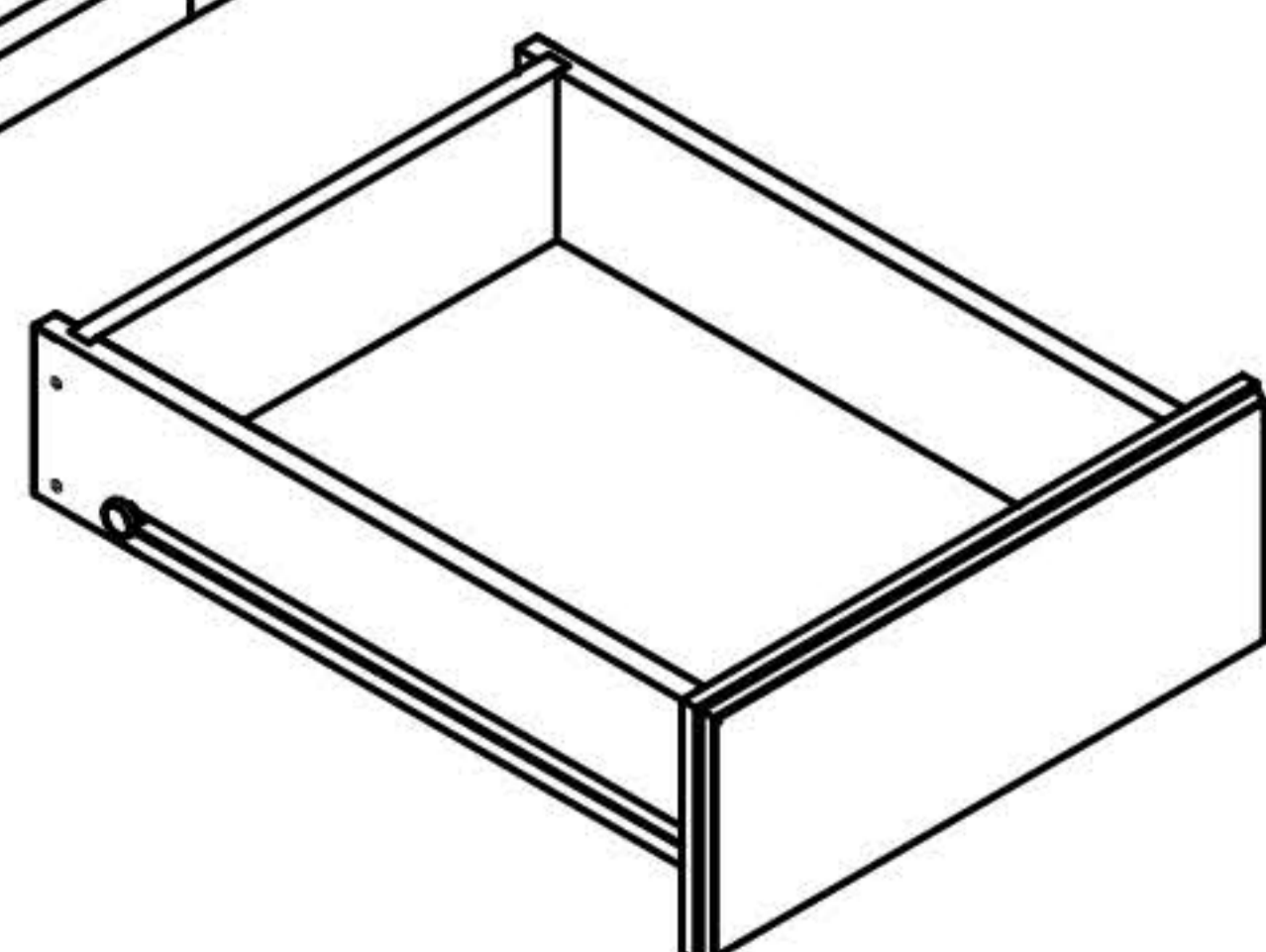
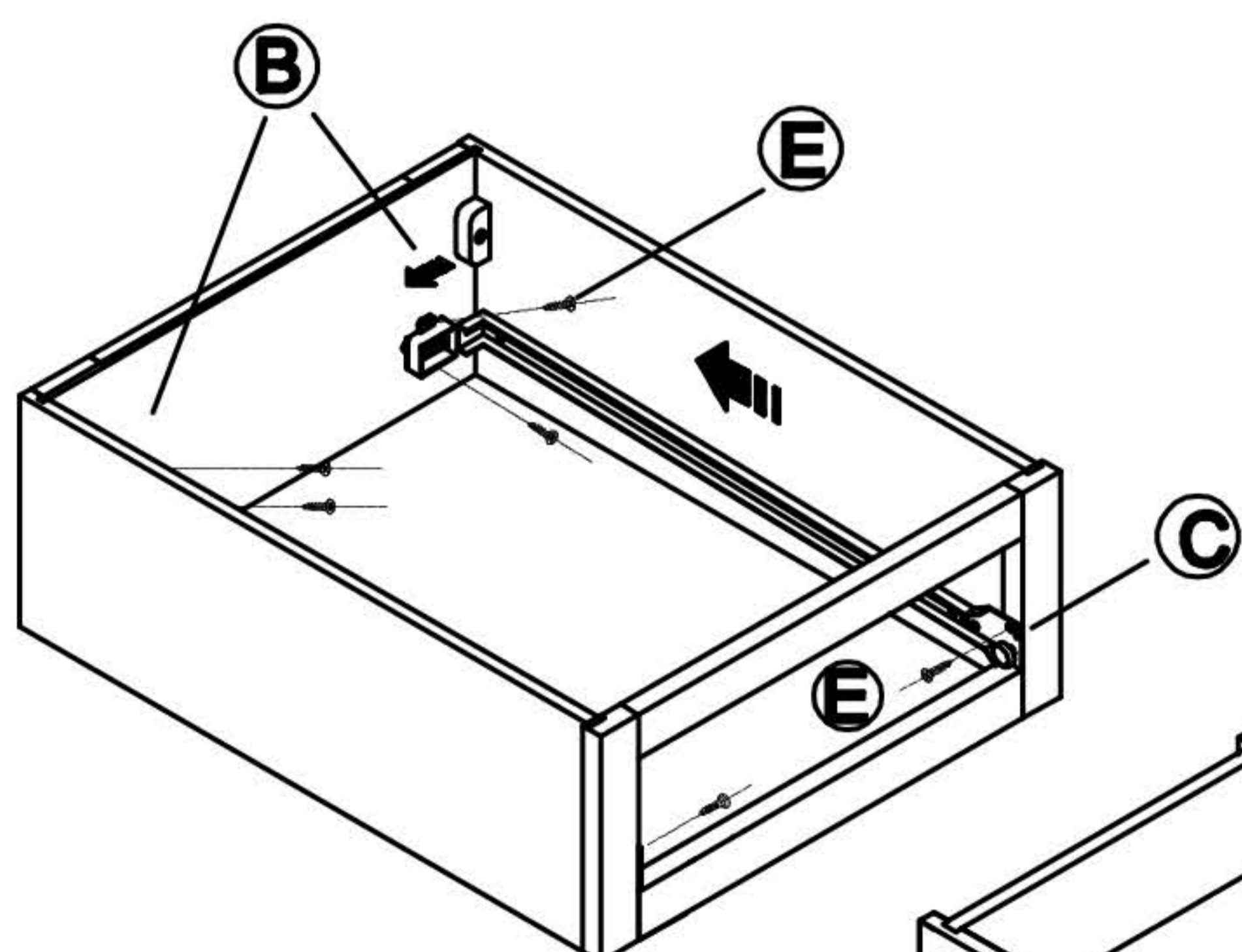


**Step 1**

**Step 2**



**Step 3**



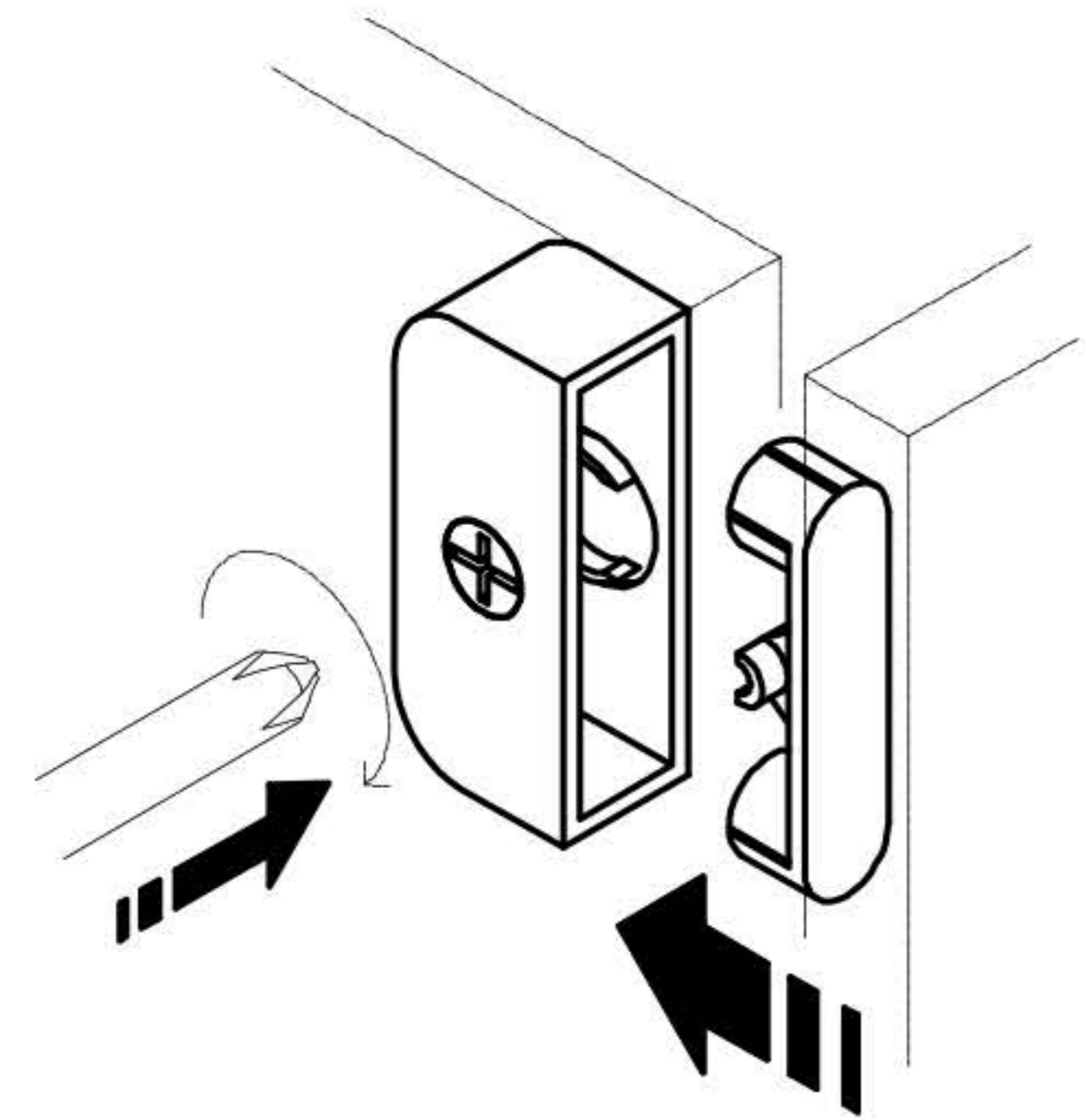
**Step 5**

**Step 6**

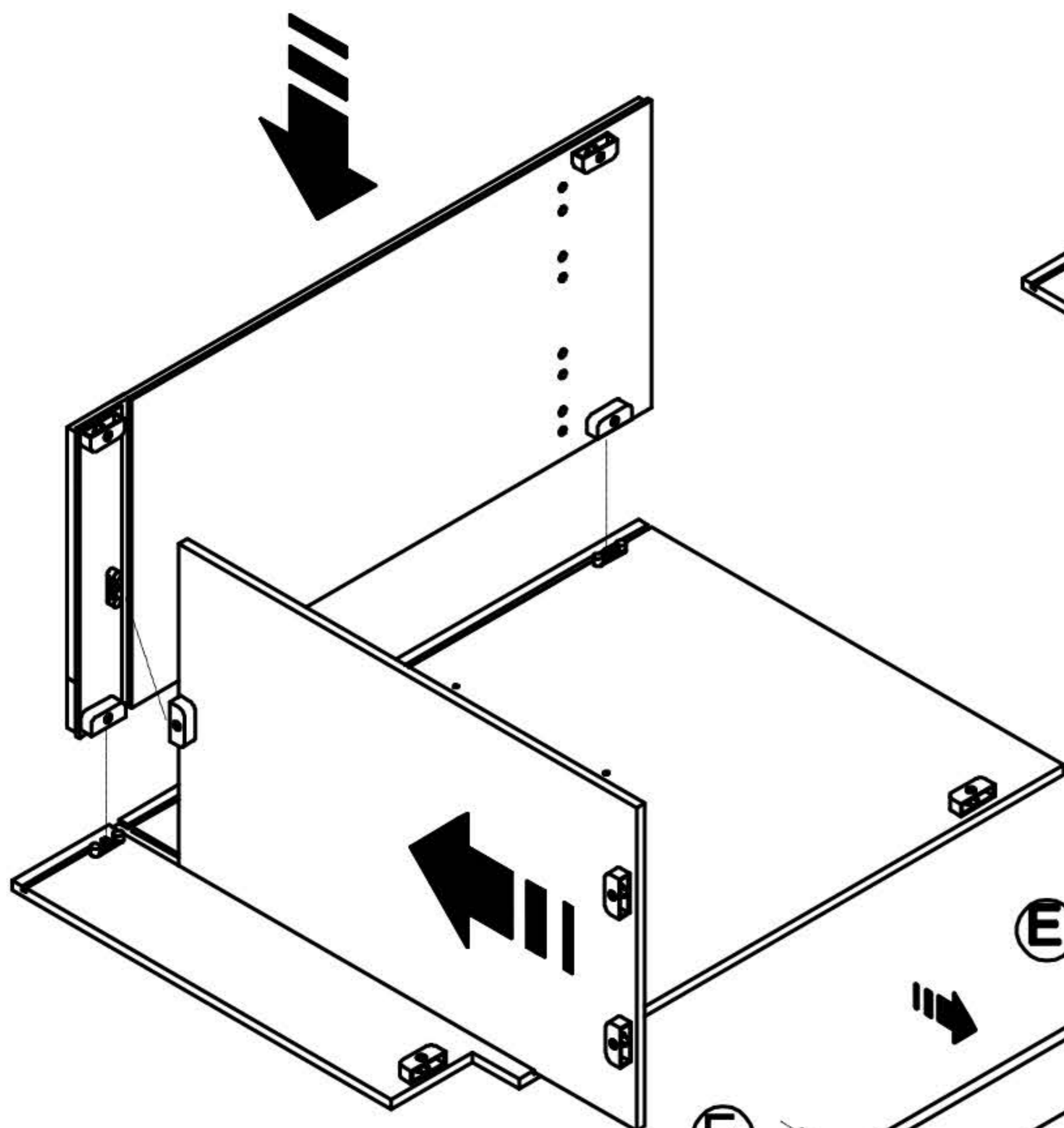
## Mocha Shaker Pg. 10

Code	A	B	C	D	E	F
Icon						
Number	4PS	6PS	2PS	2PS	8PS	6PS

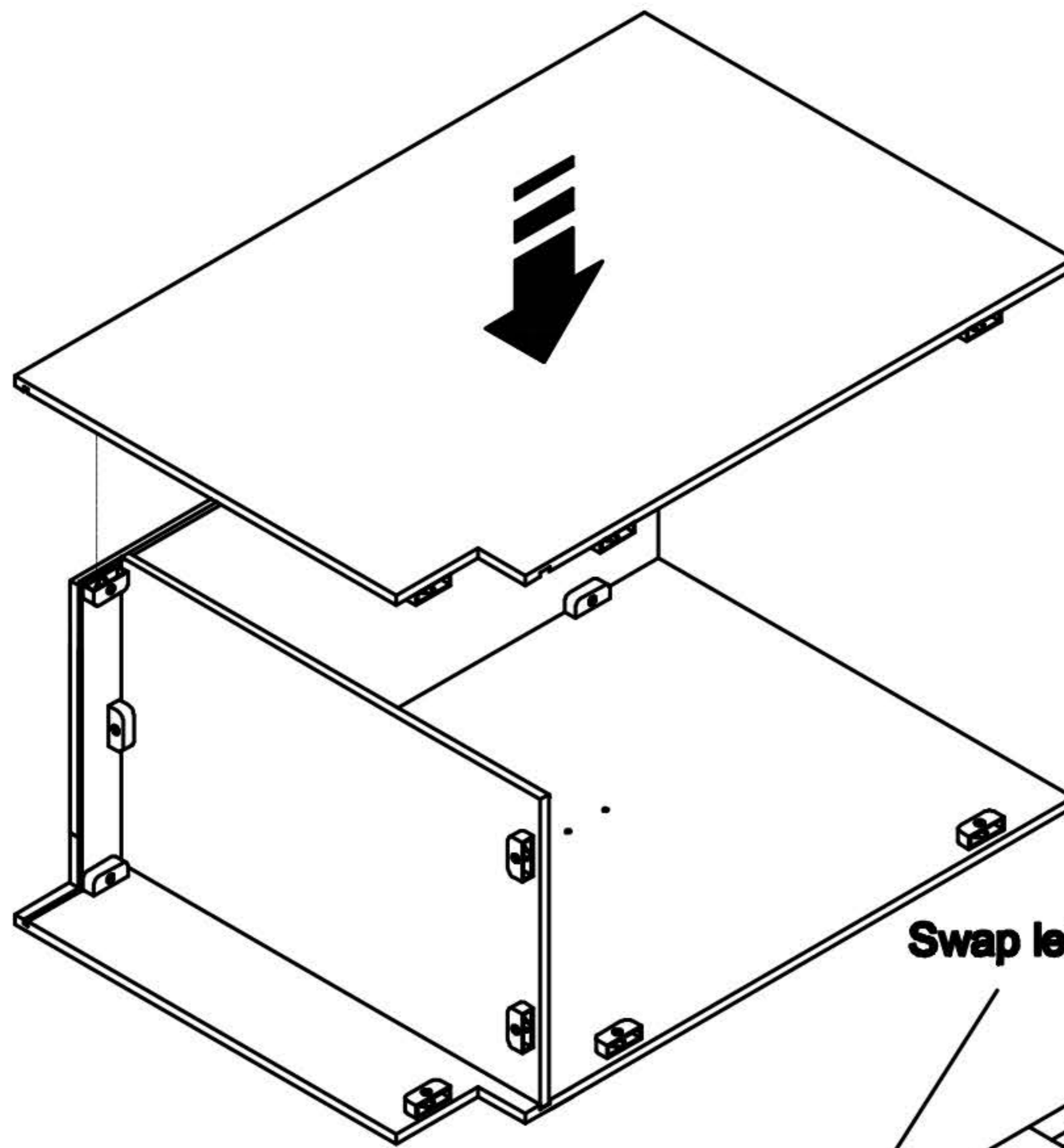
**BBC36\39, BBC42\45**



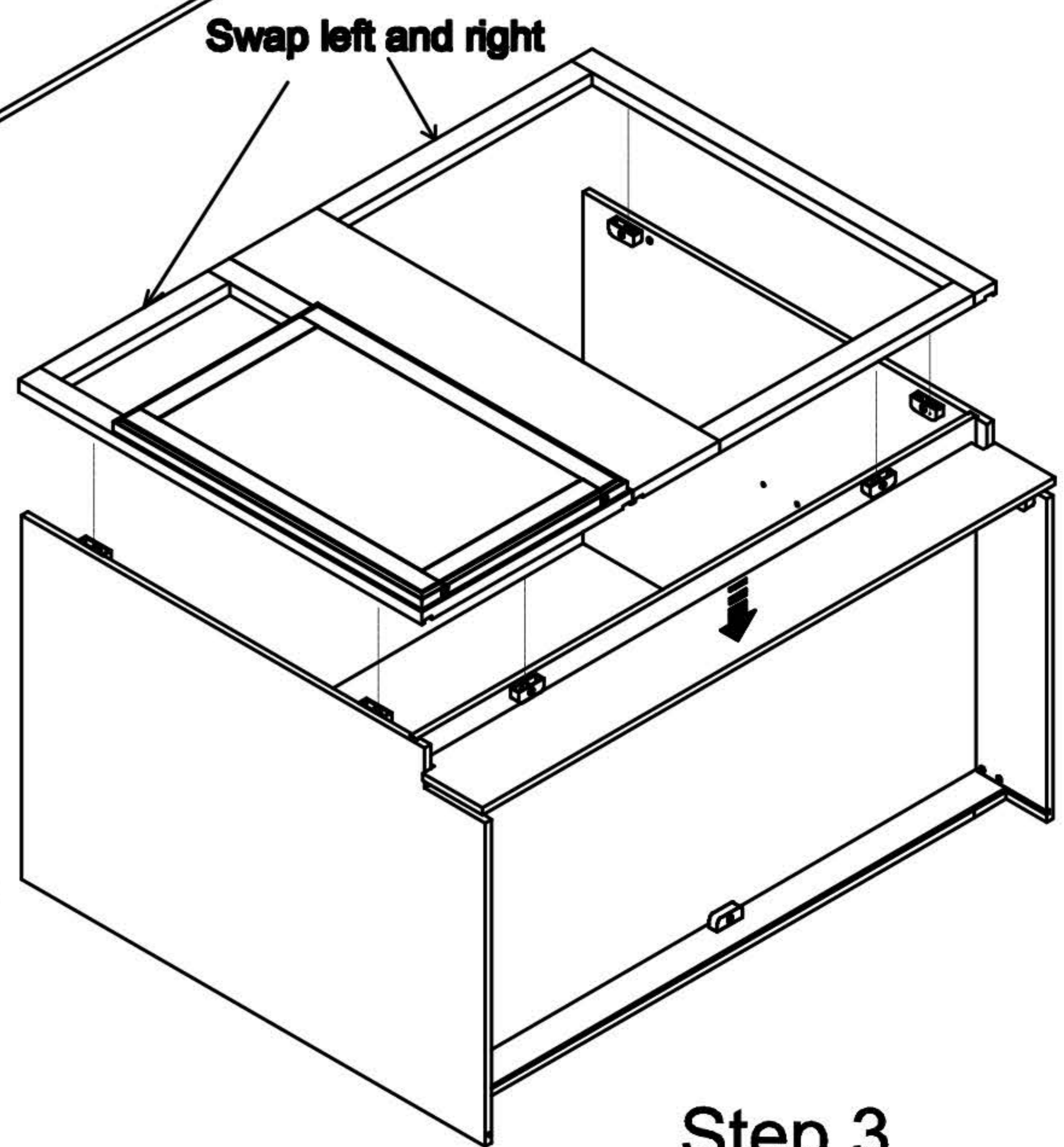
Example



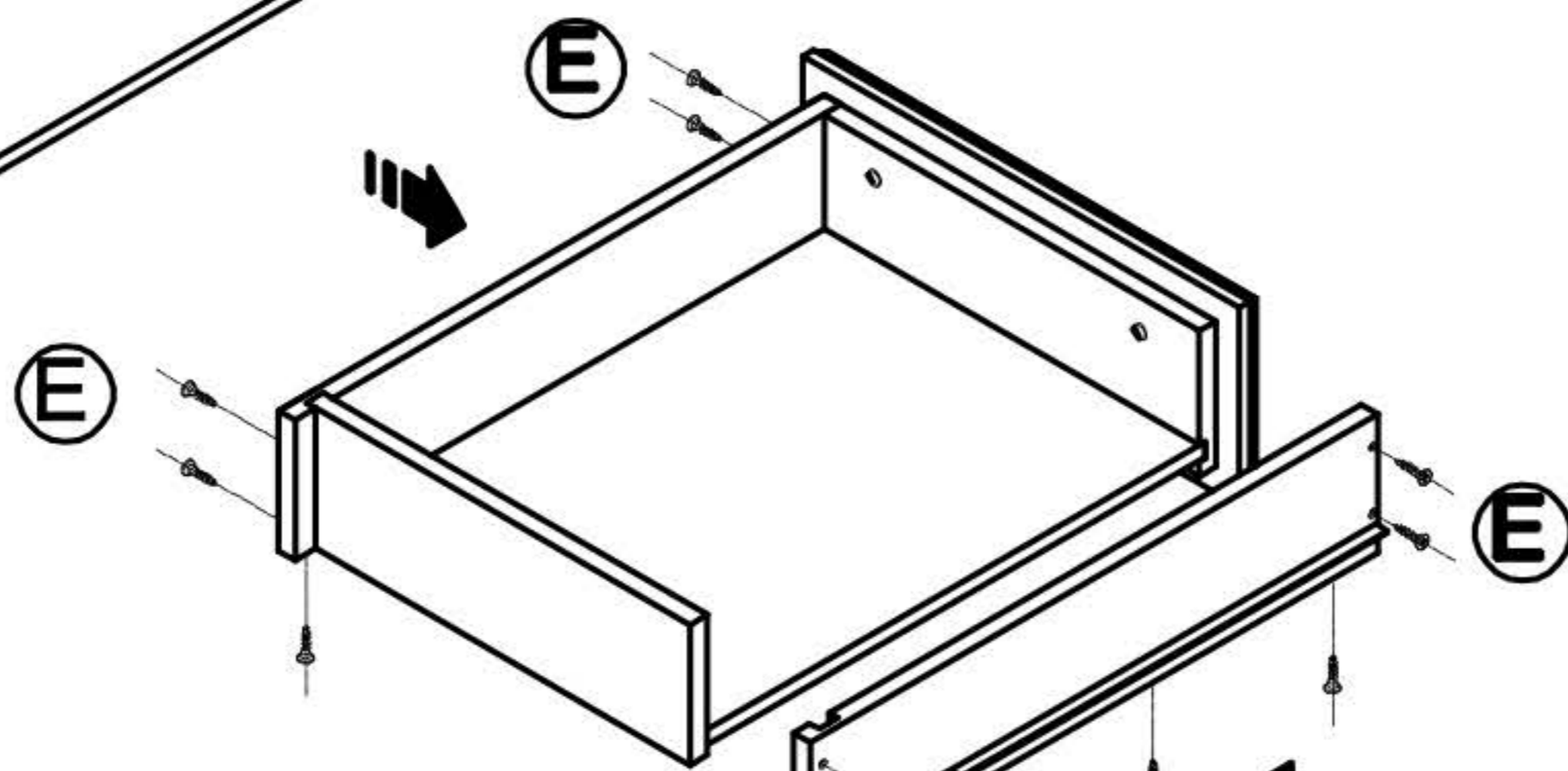
Step 1



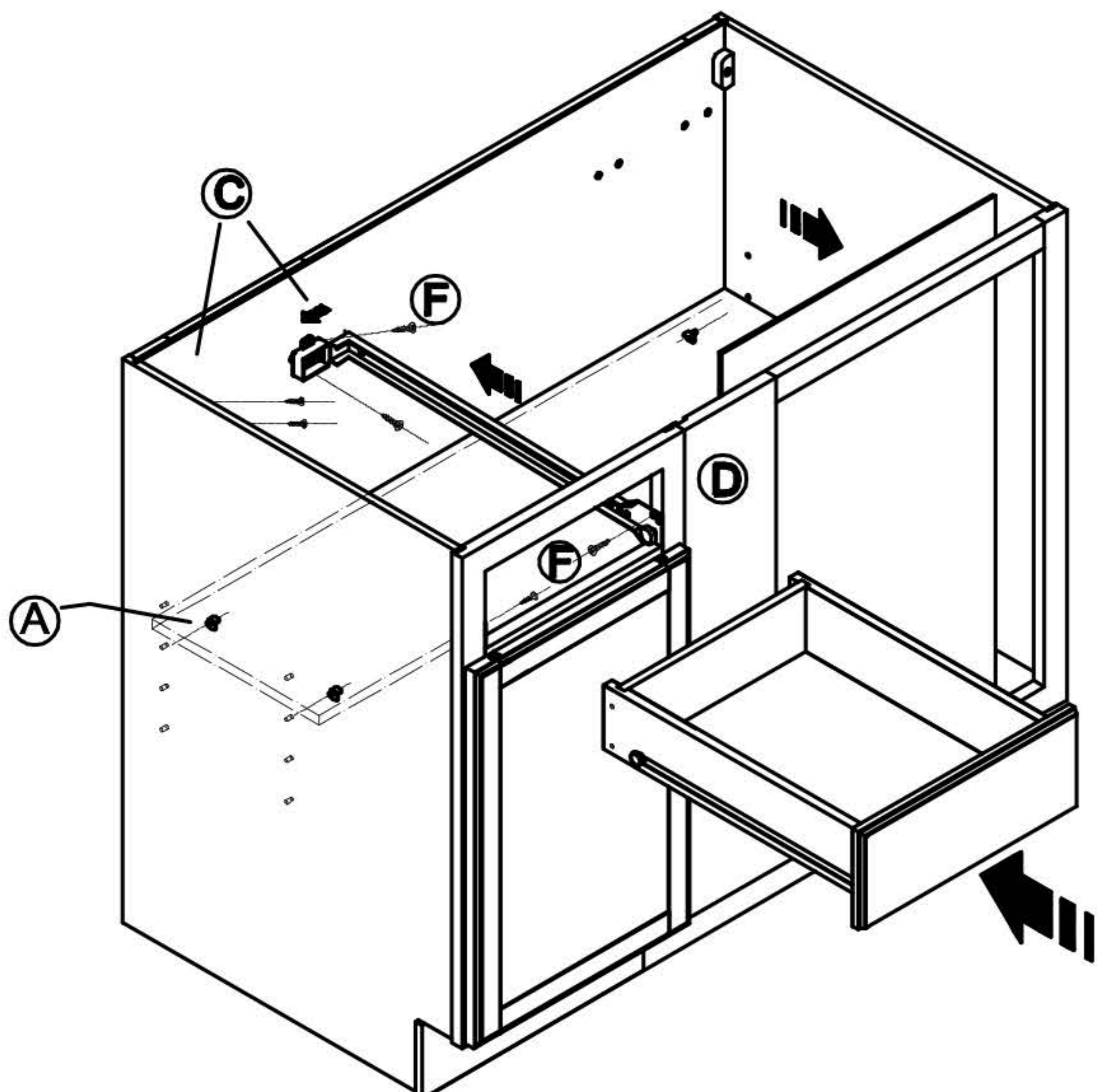
Step 2



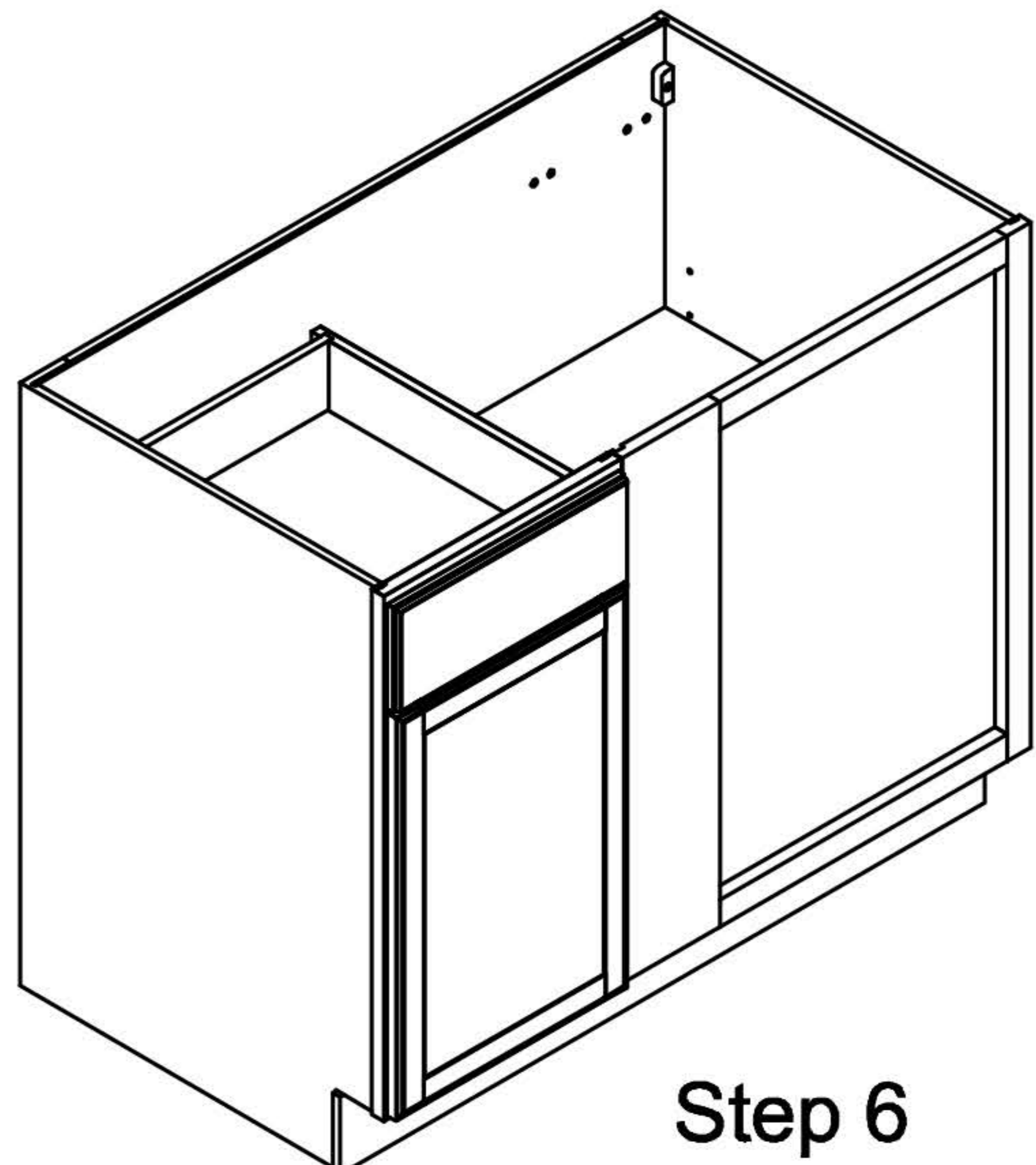
Step 3



Step 4




Step 5



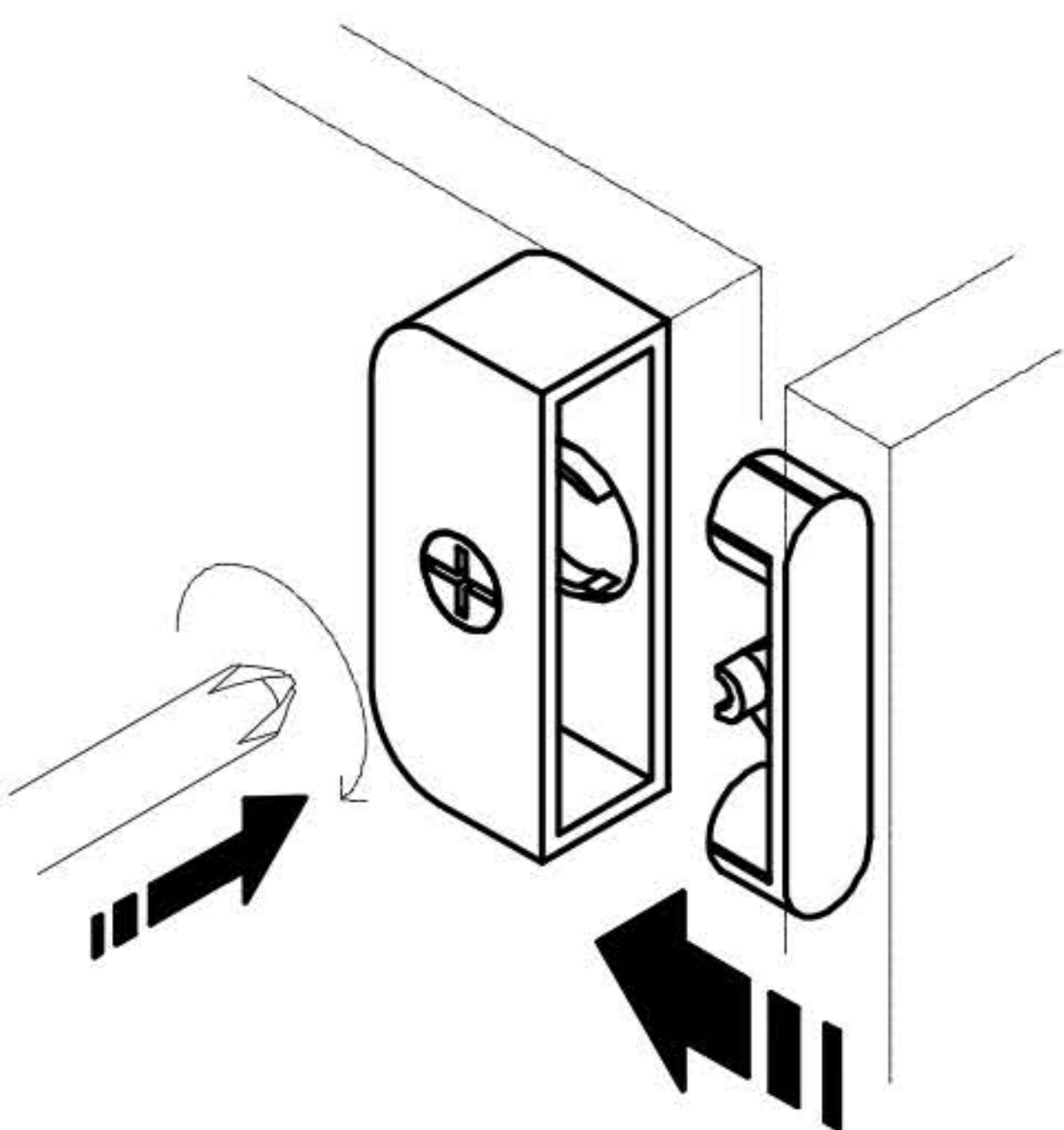
Step 6

# LORY CABINETS

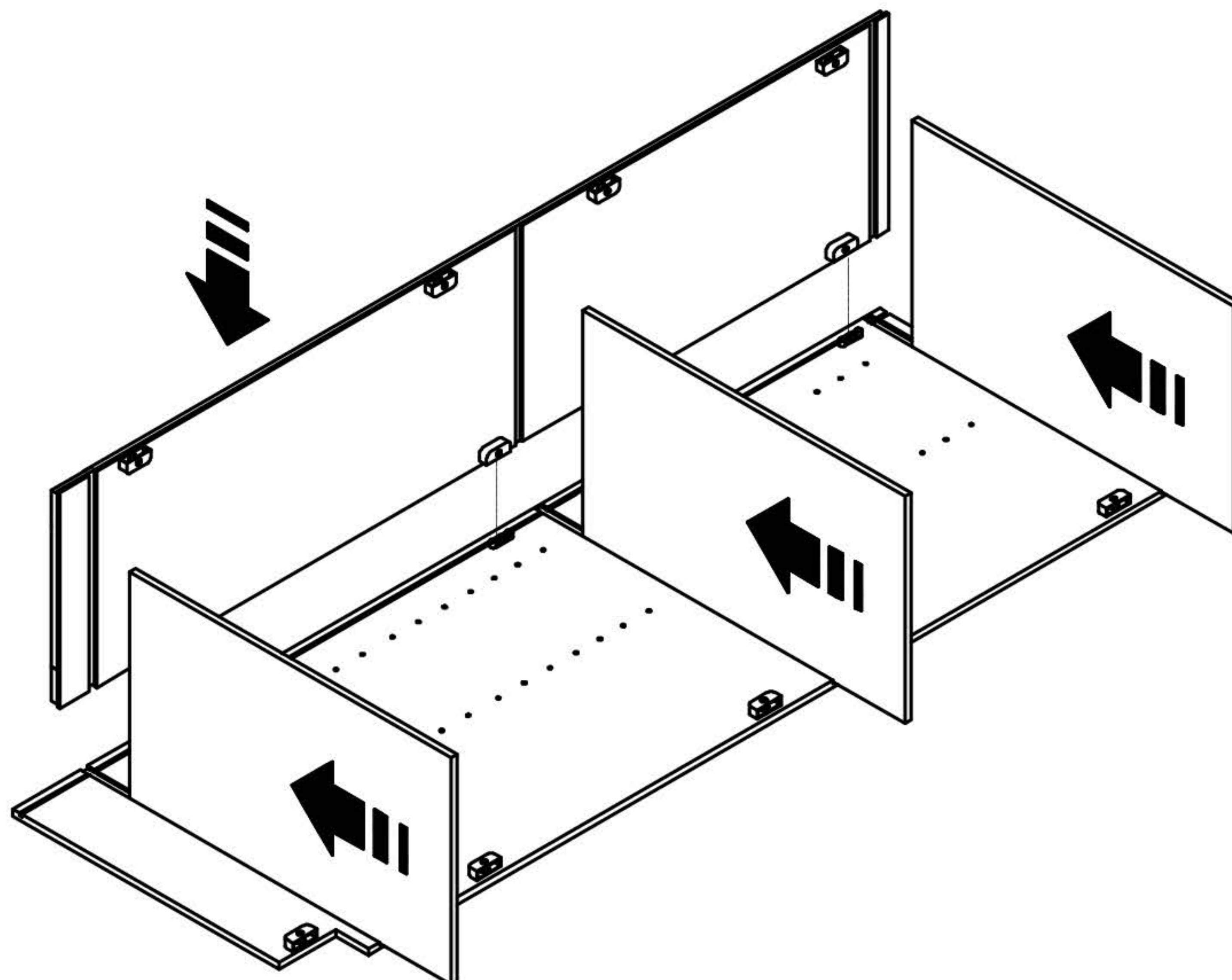
## Mocha Shaker Pg. 11

Code	A
Icon	
Number	20PS

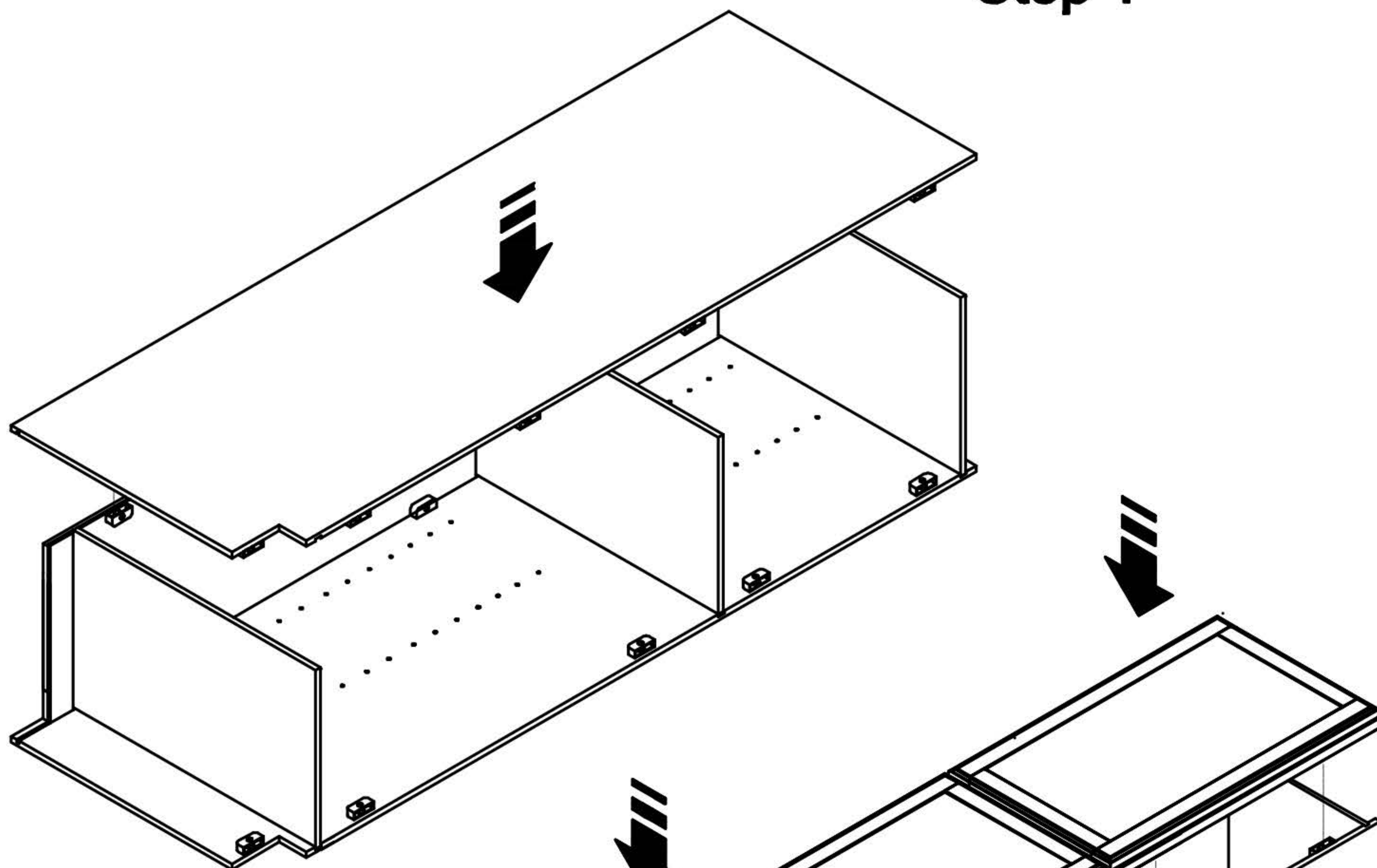
WP1884, WP1890



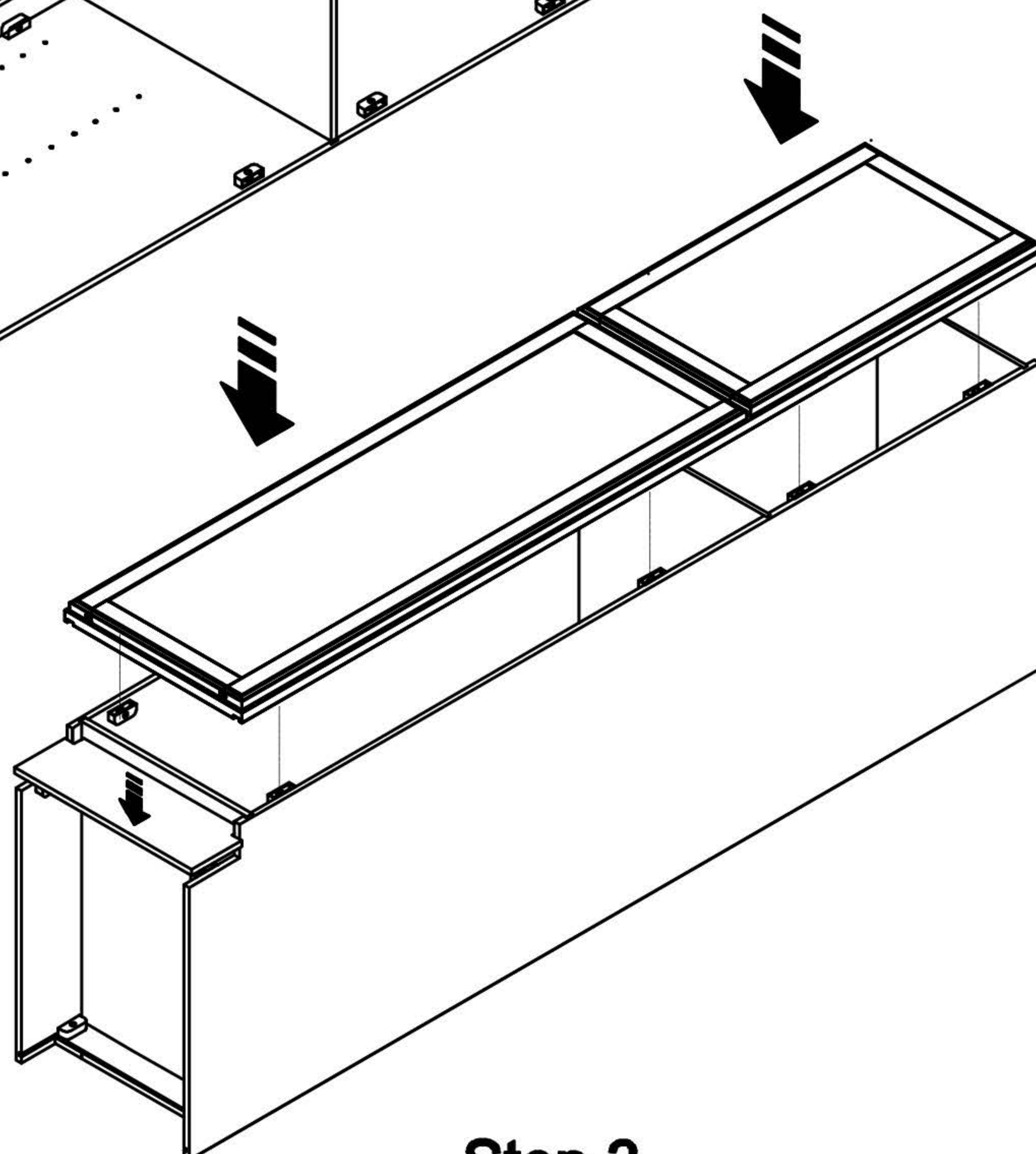
Example



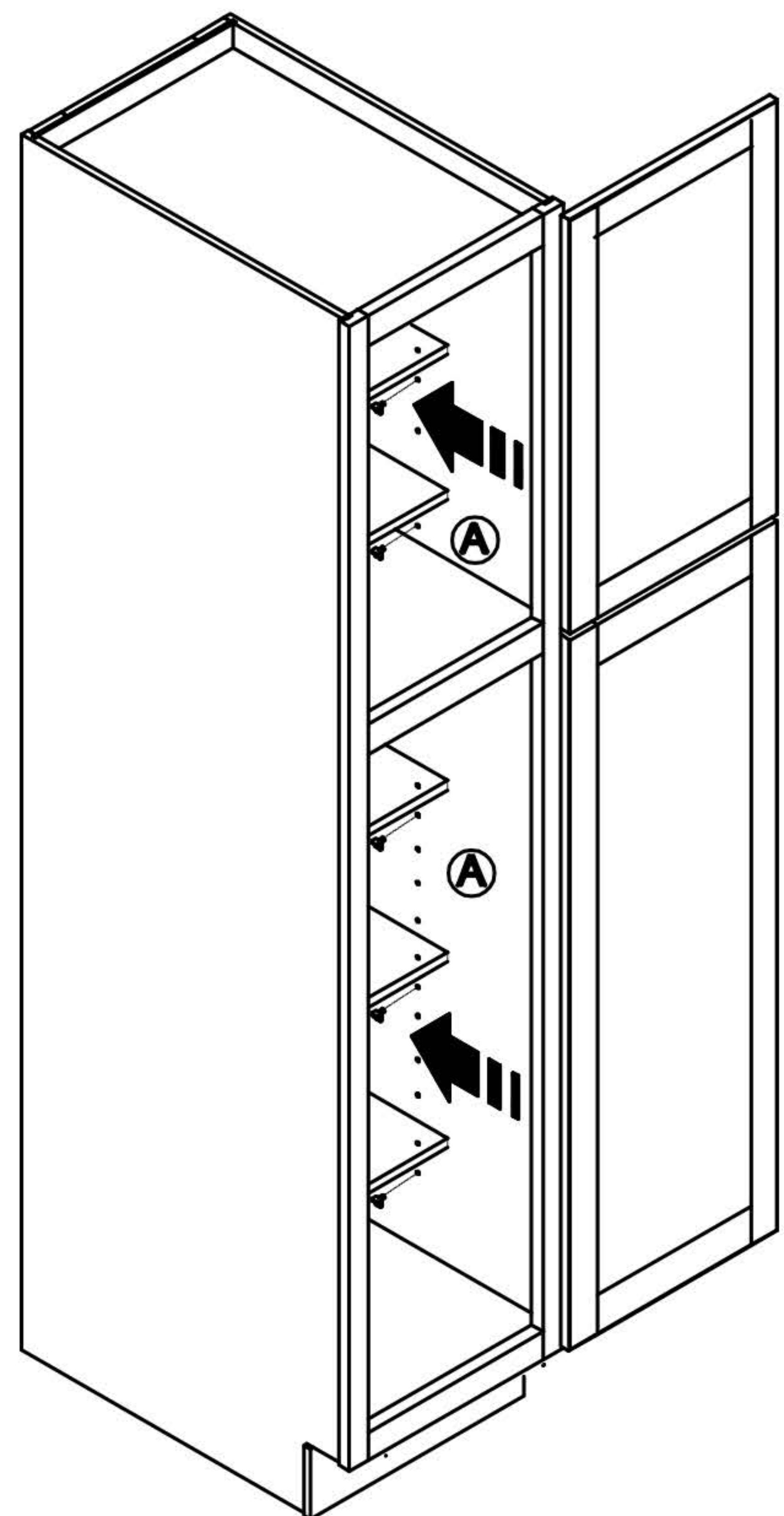
Step 1



Step 2




Step 3



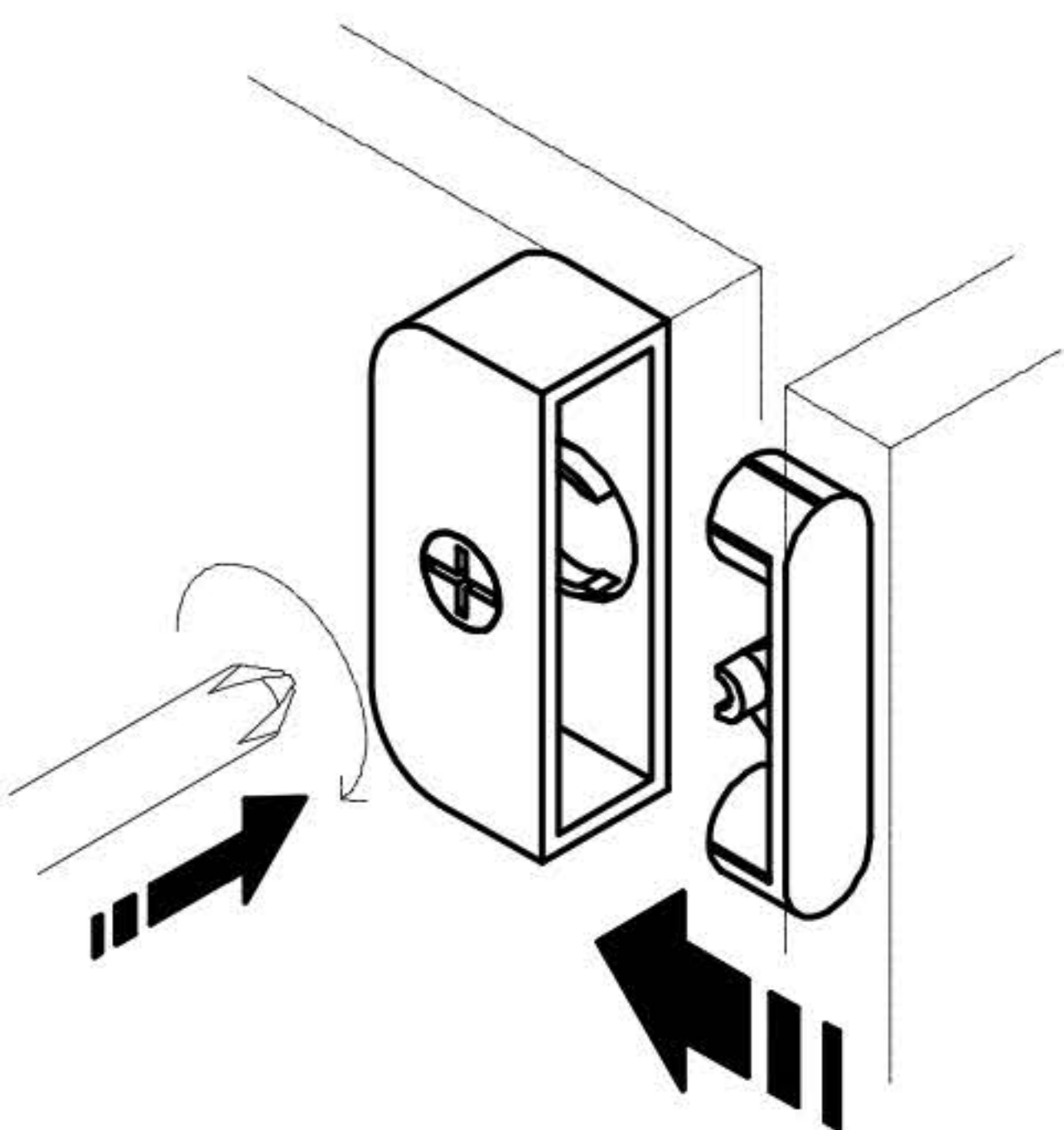
Step 4

# LORY CABINETS

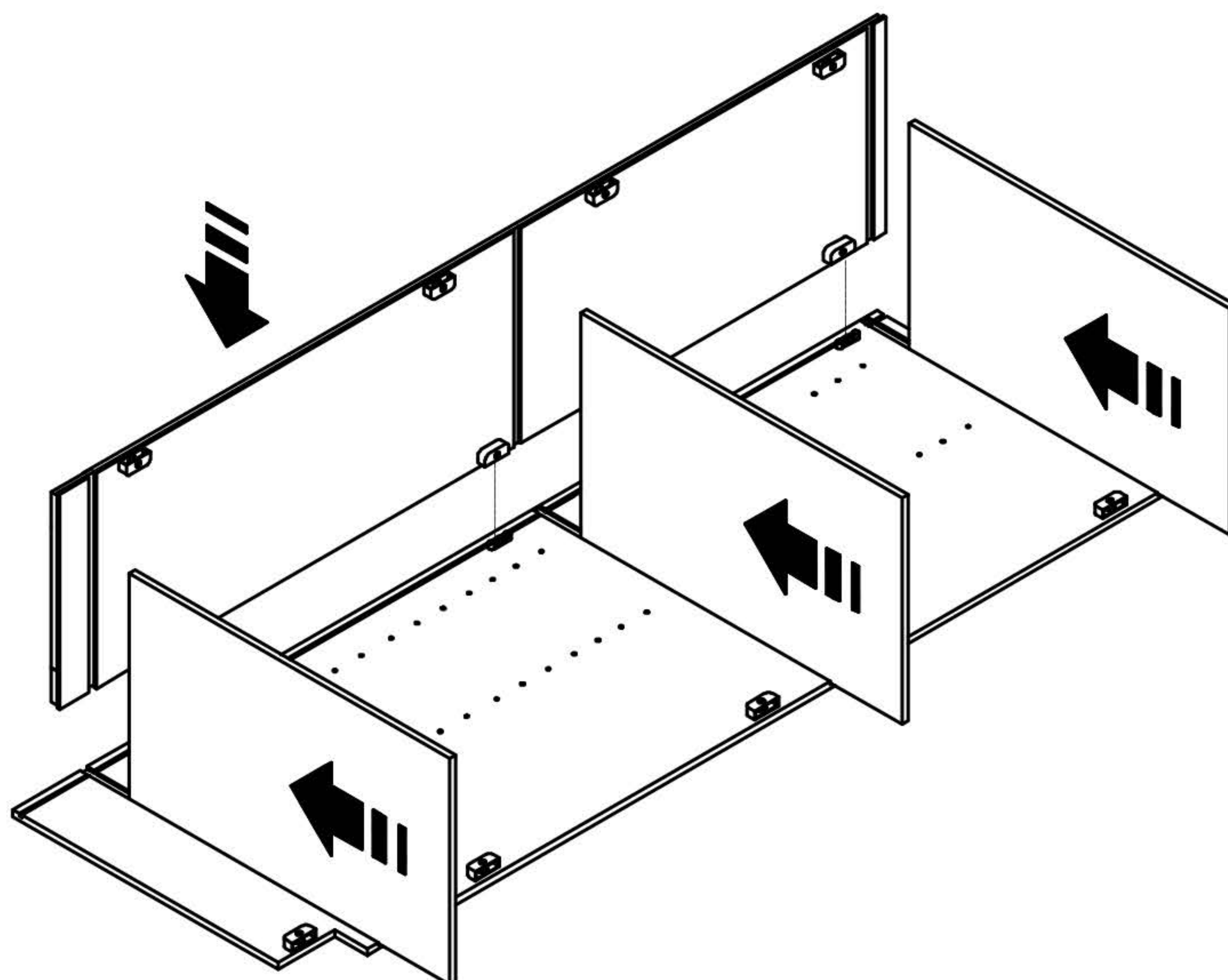
## Mocha Shaker Pg. 12

Code	A
Icon	
Number	24PS

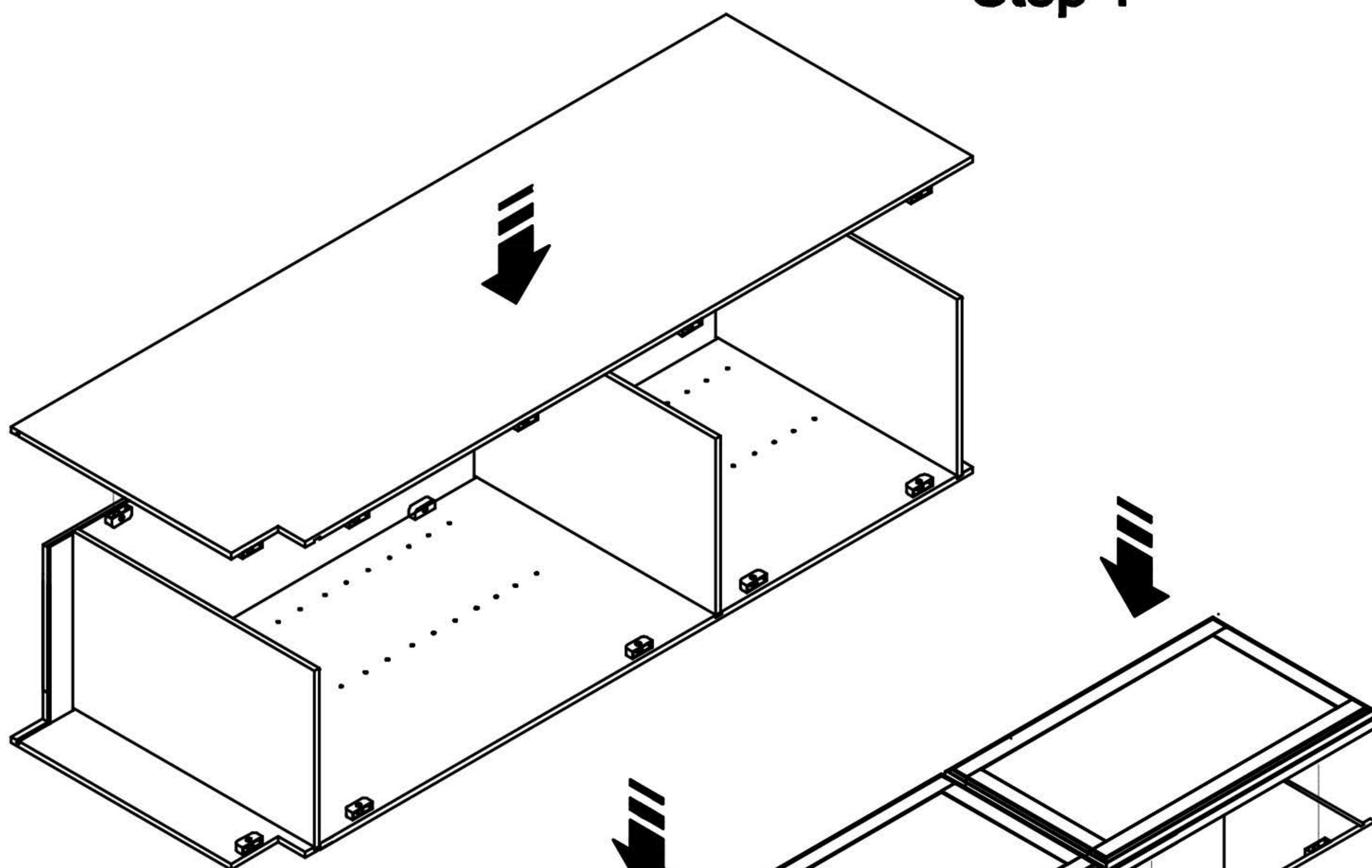
WP1896



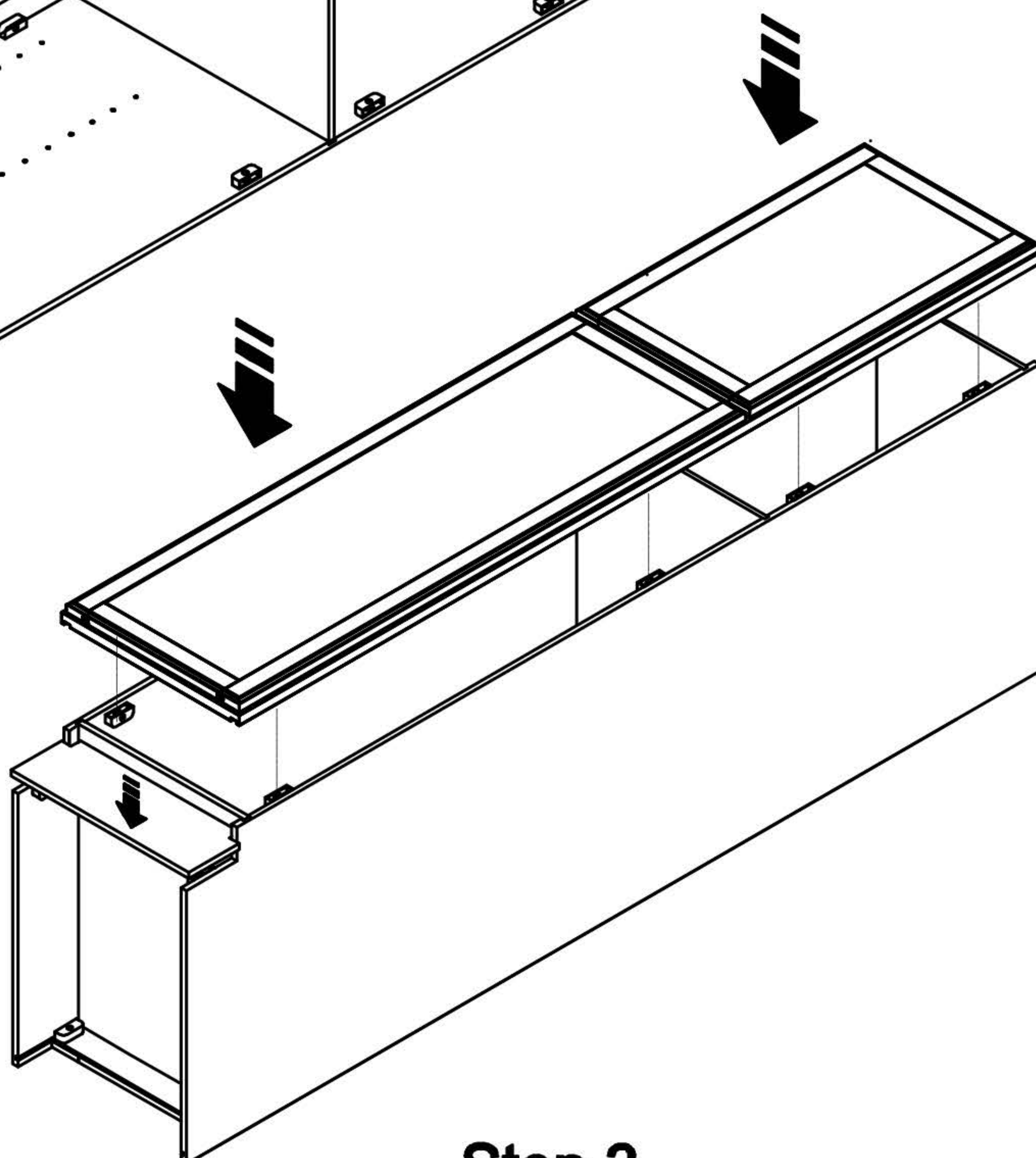
Example



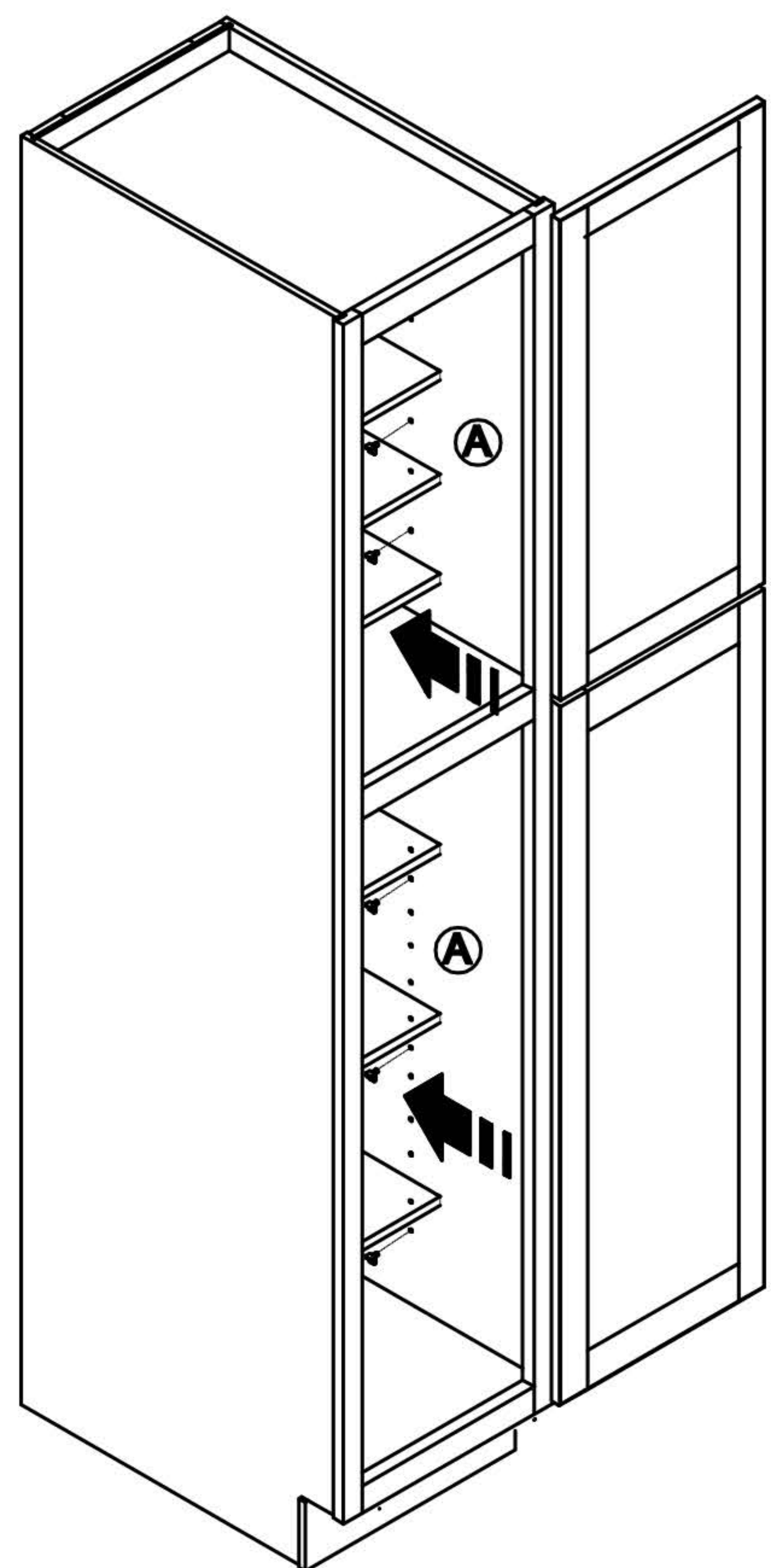
Step 1



Step 2




Step 3



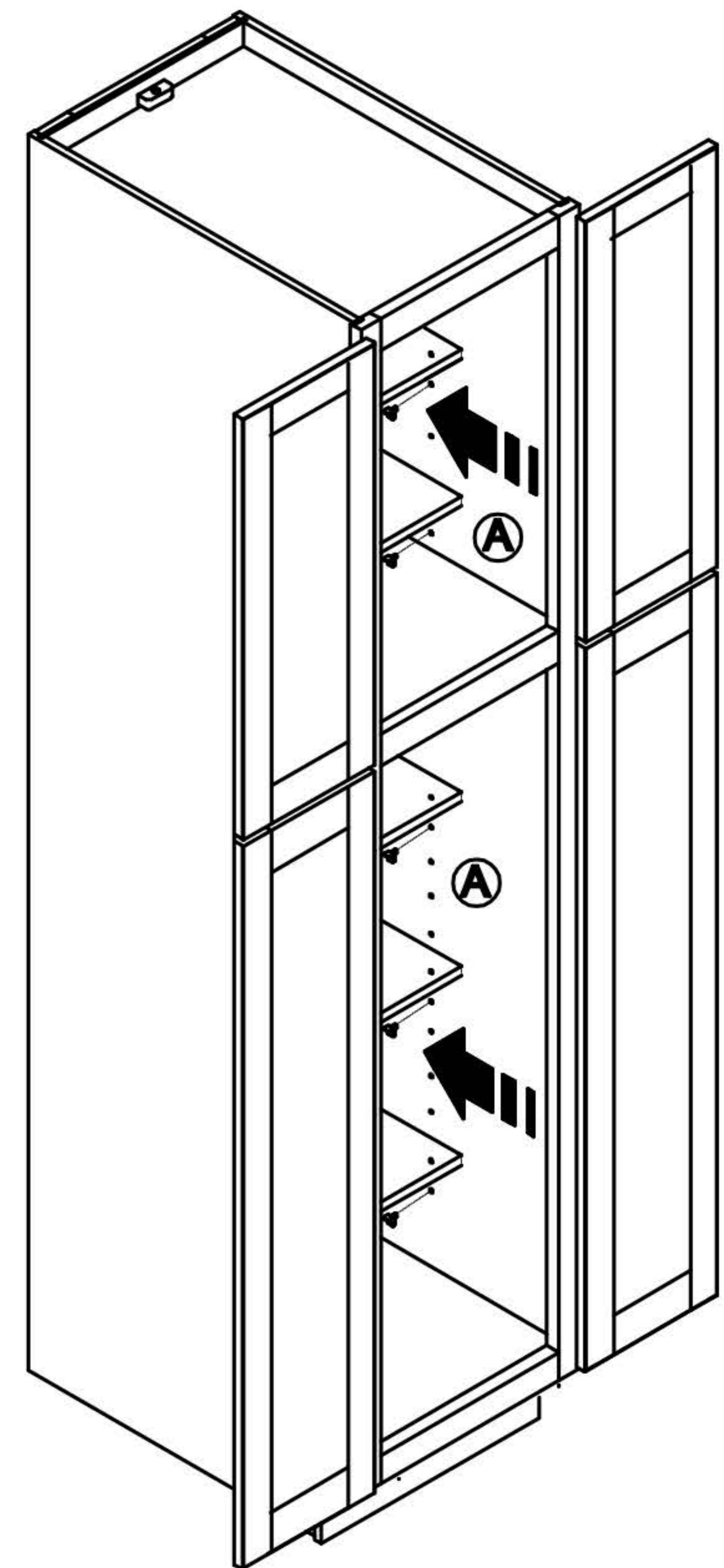
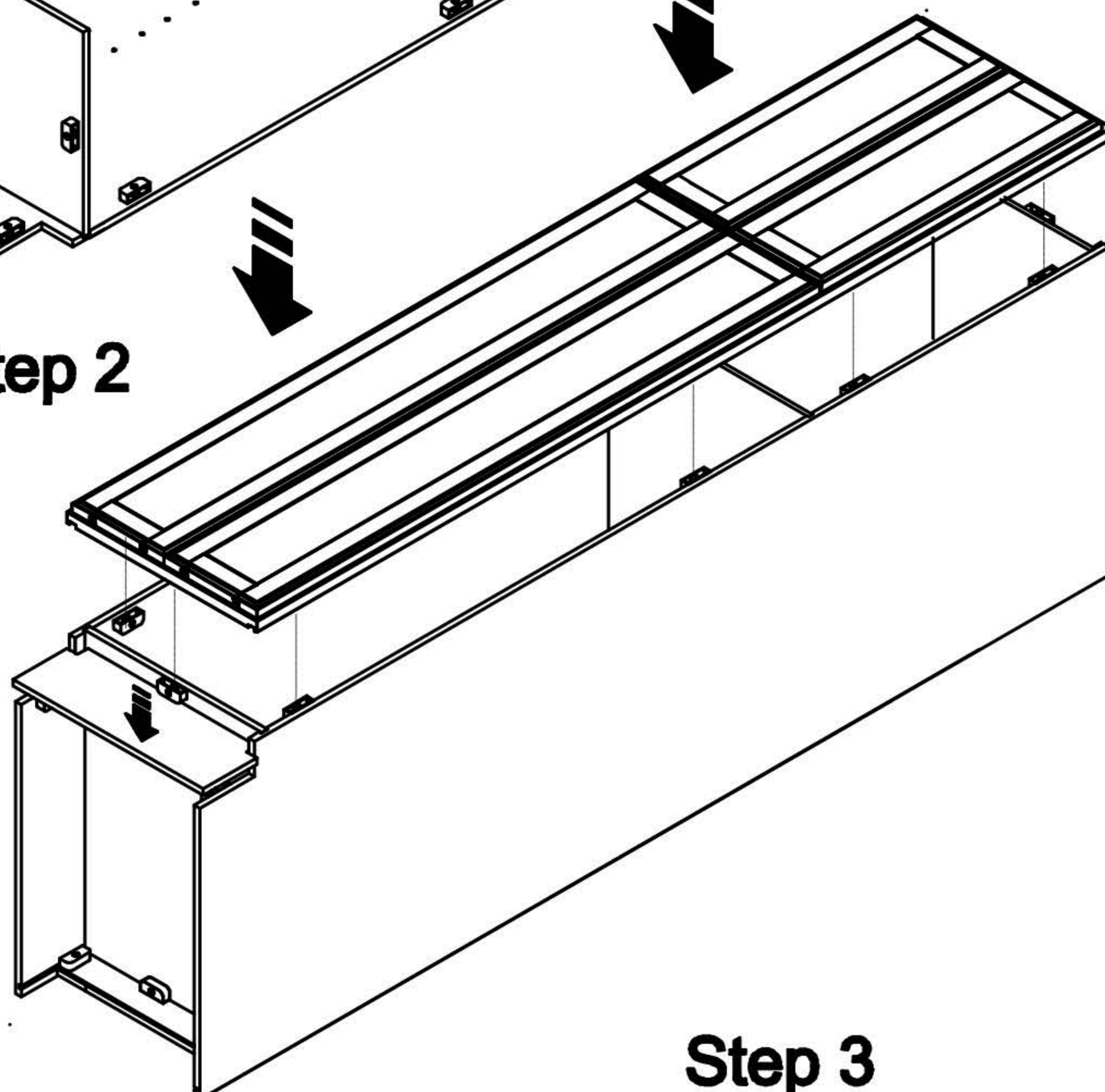
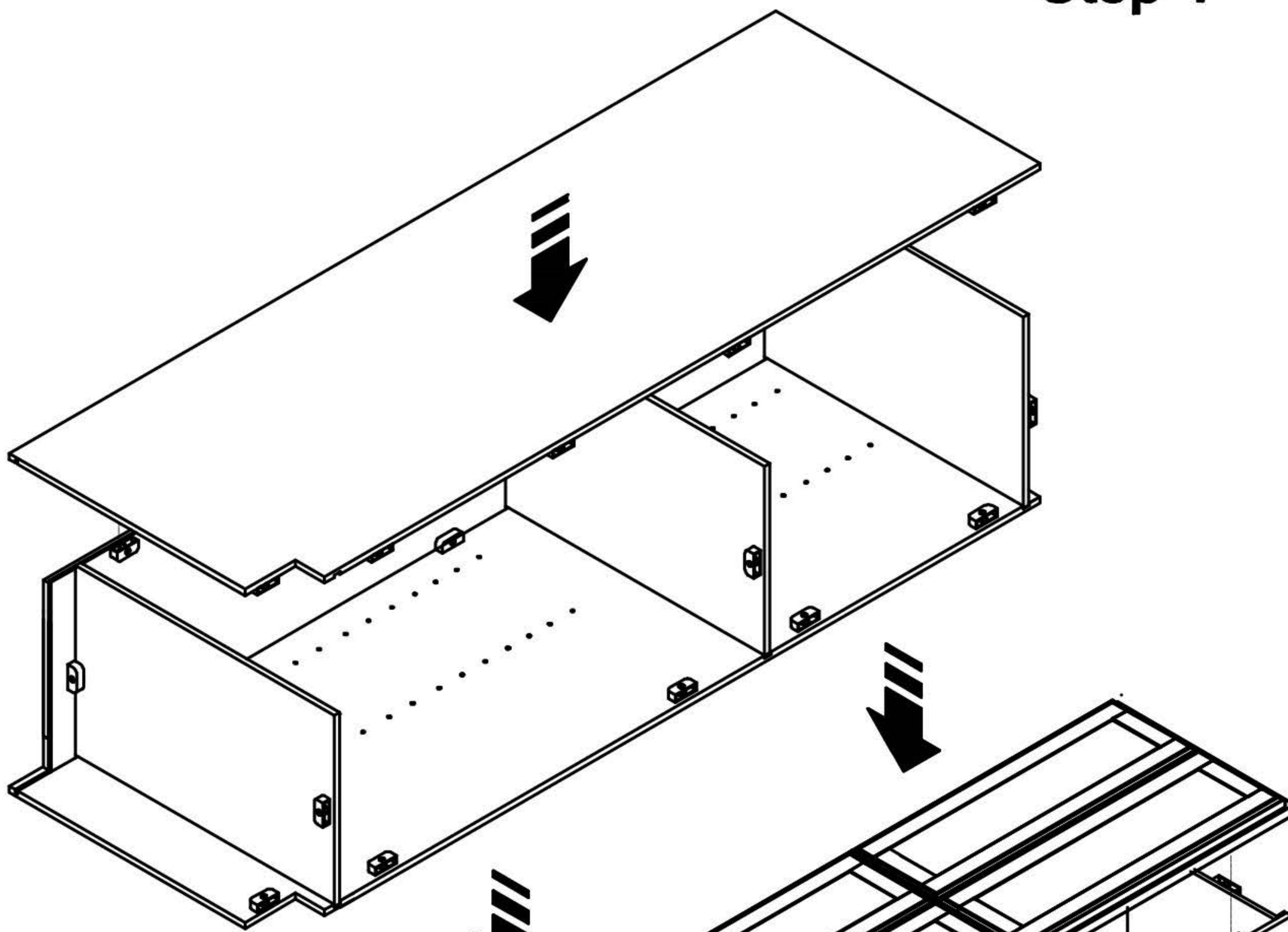
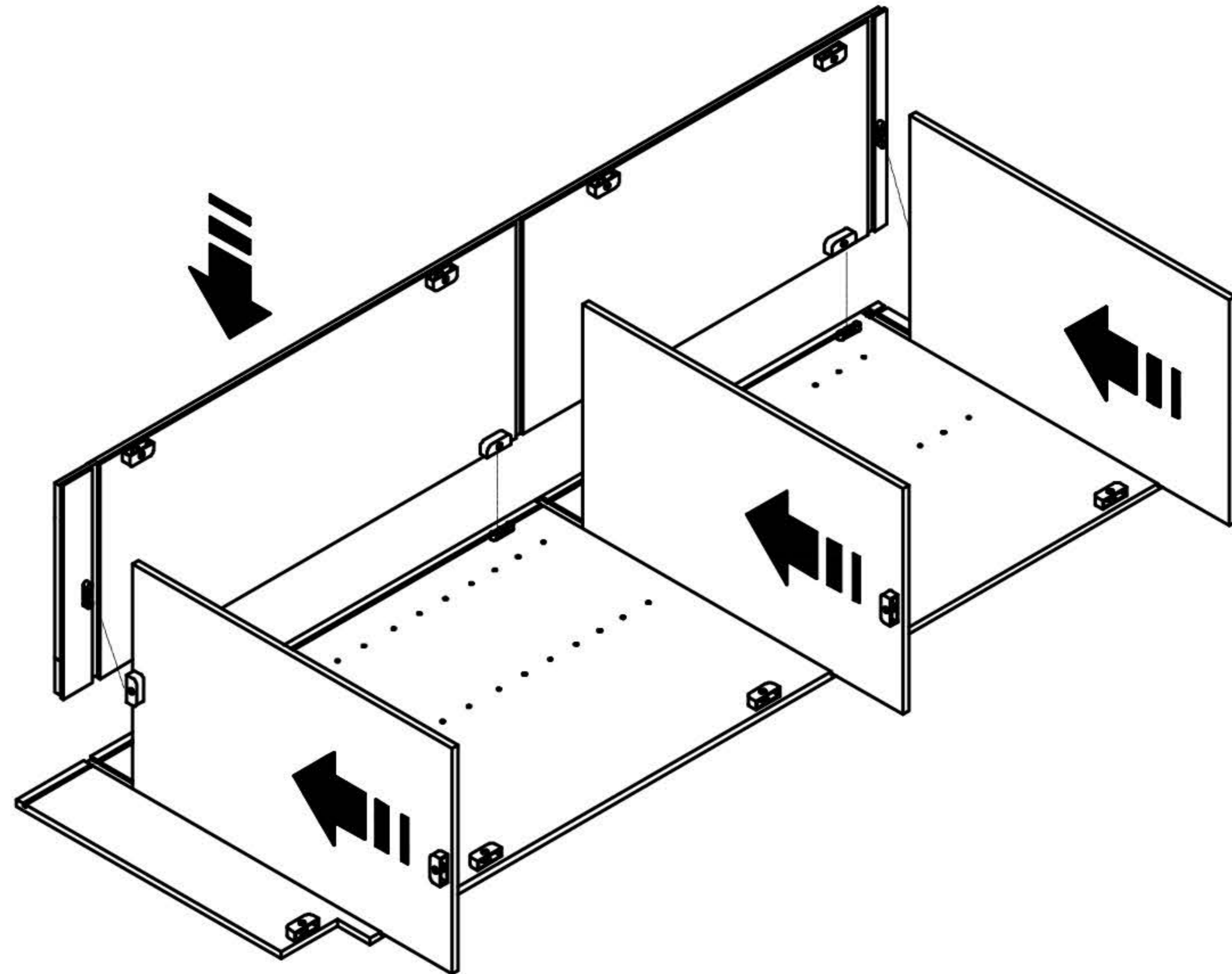
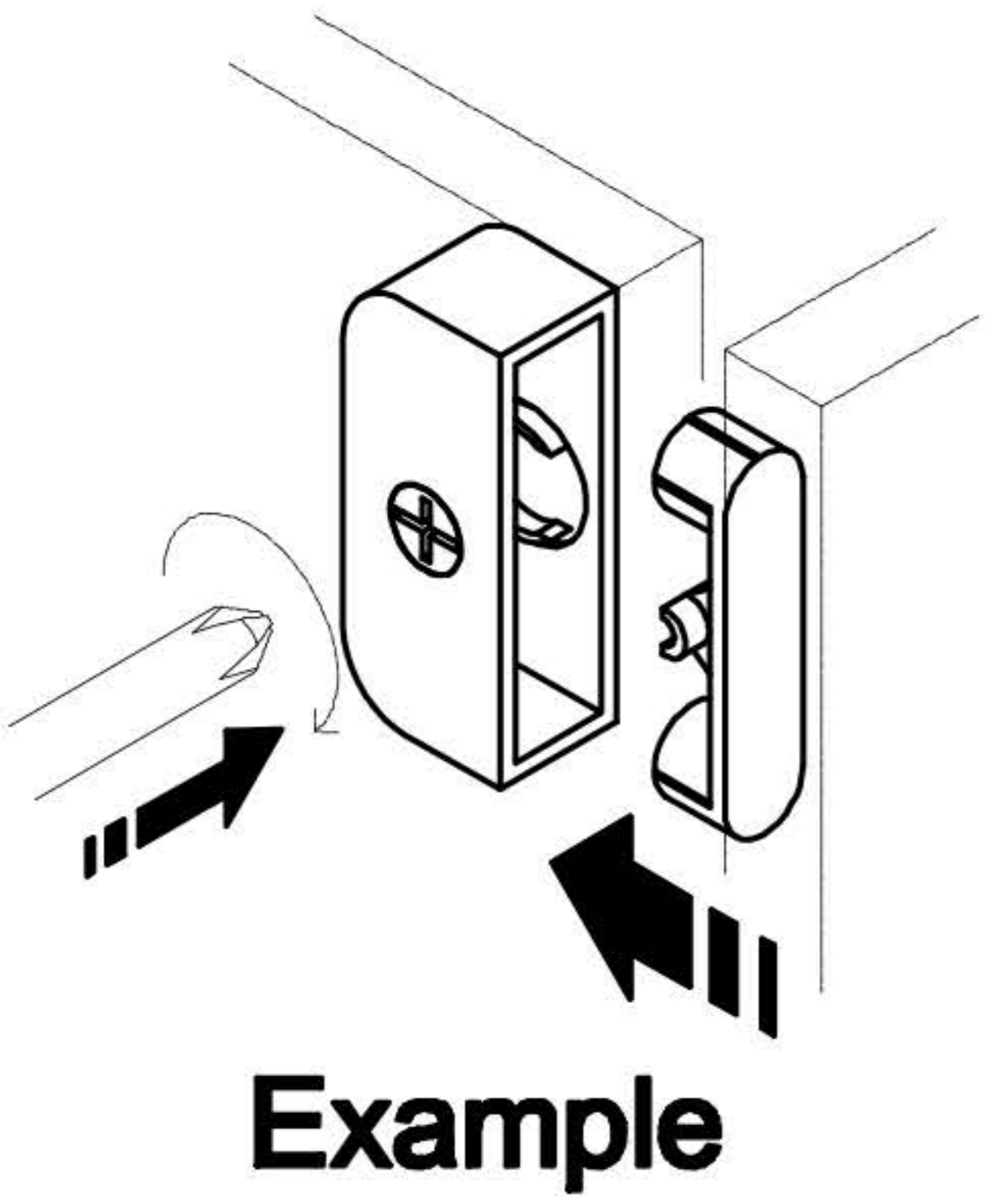
Step 4

# LORY CABINETS

## Mocha Shaker Pg. 13


Code	A
Icon	
Number	20PS

WP2484, WP2490

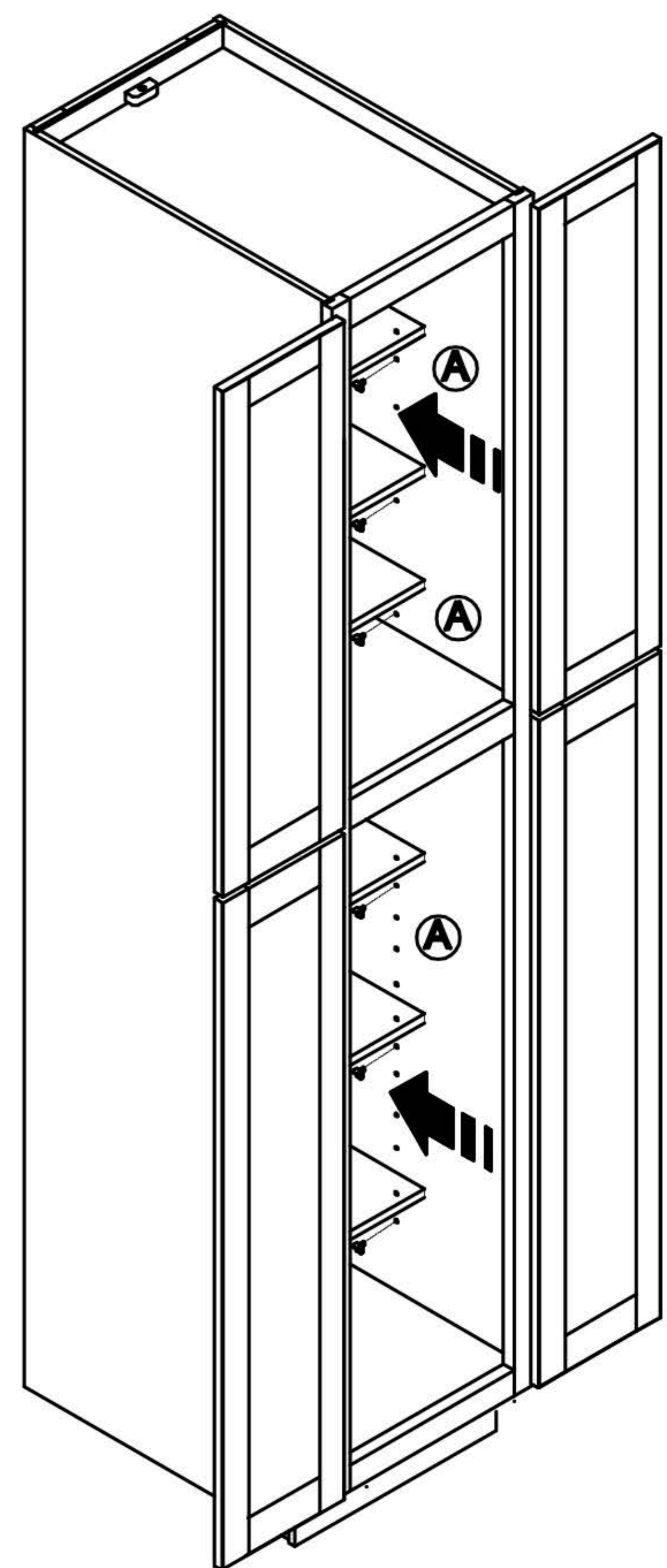
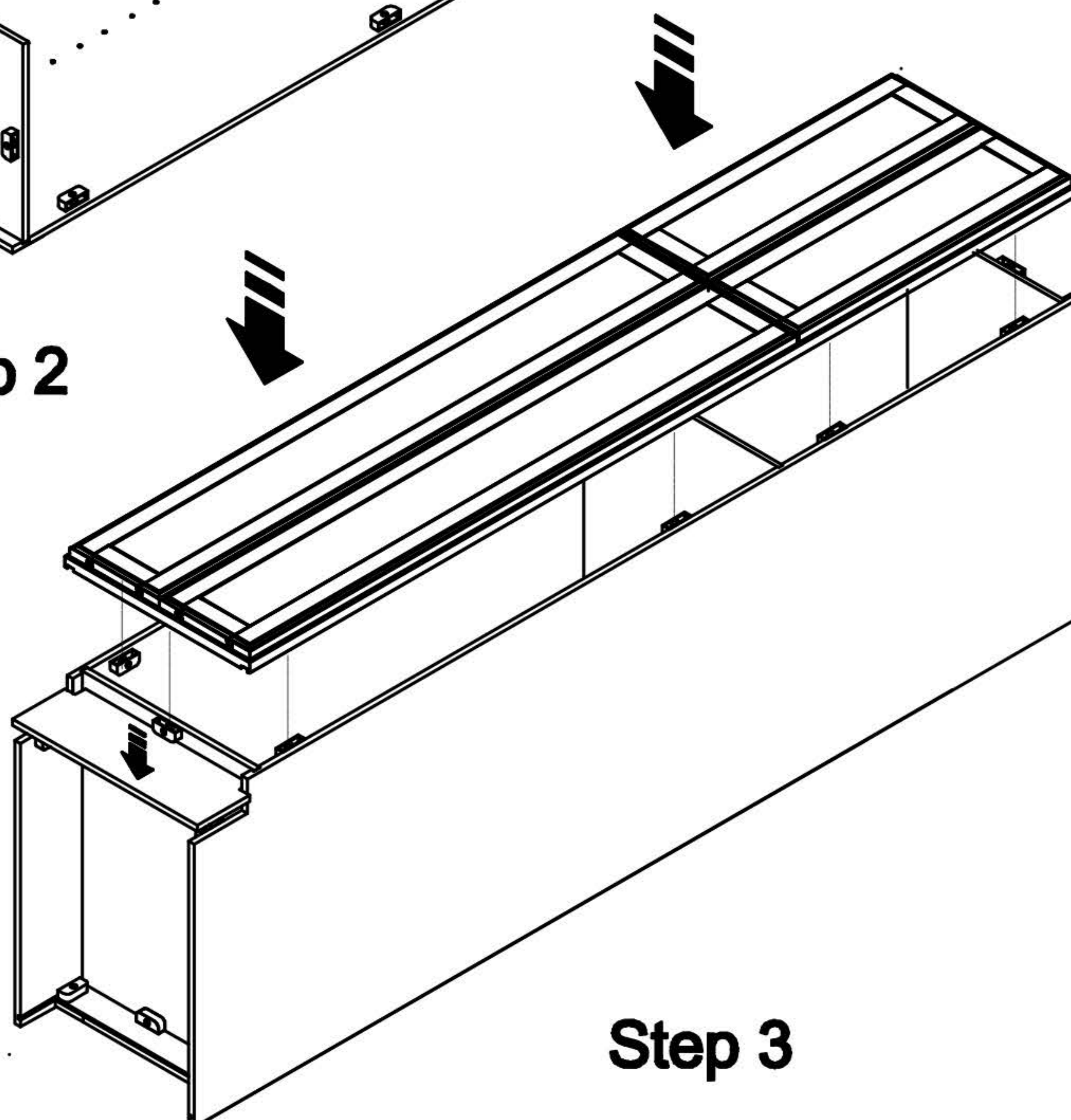
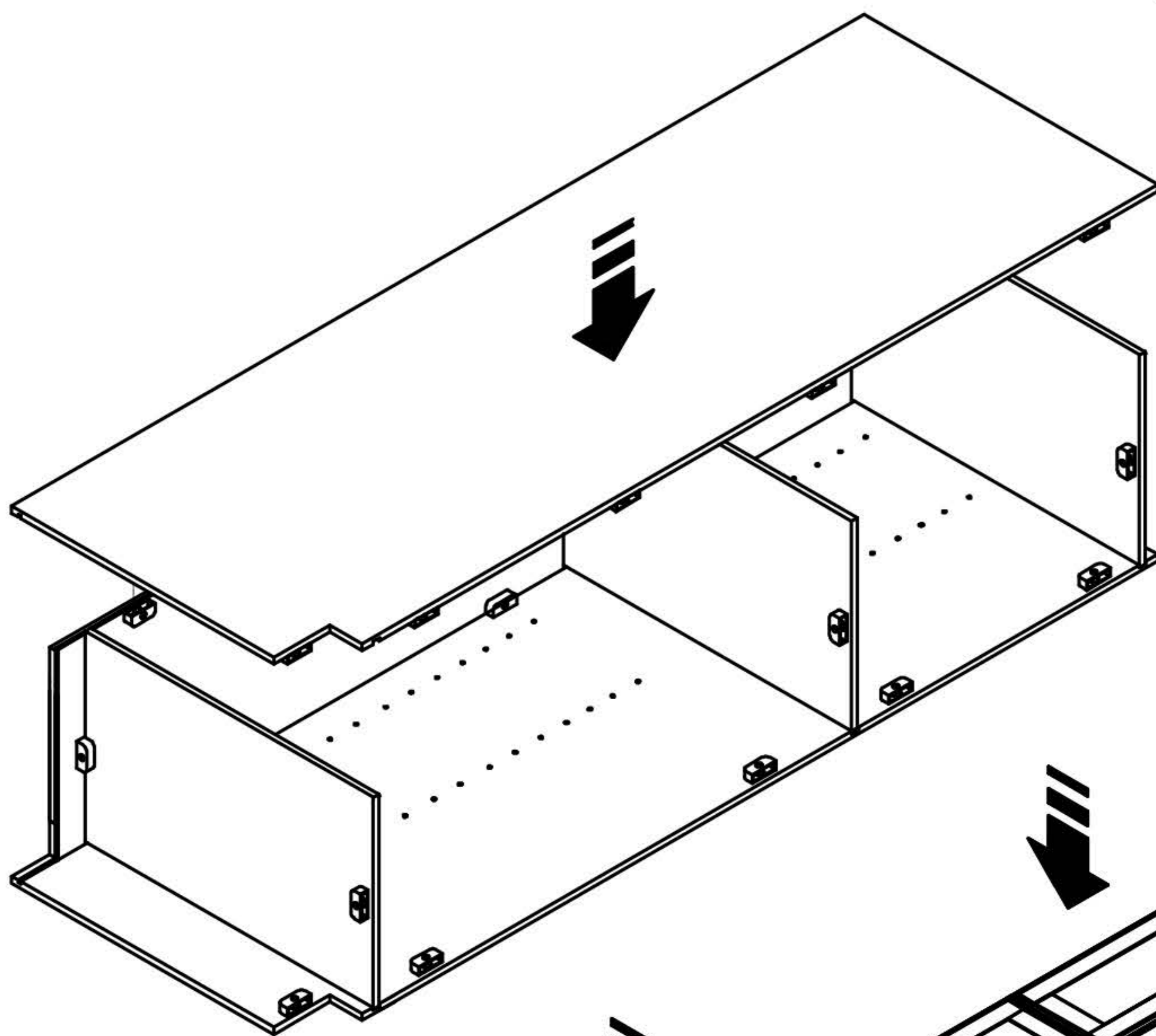
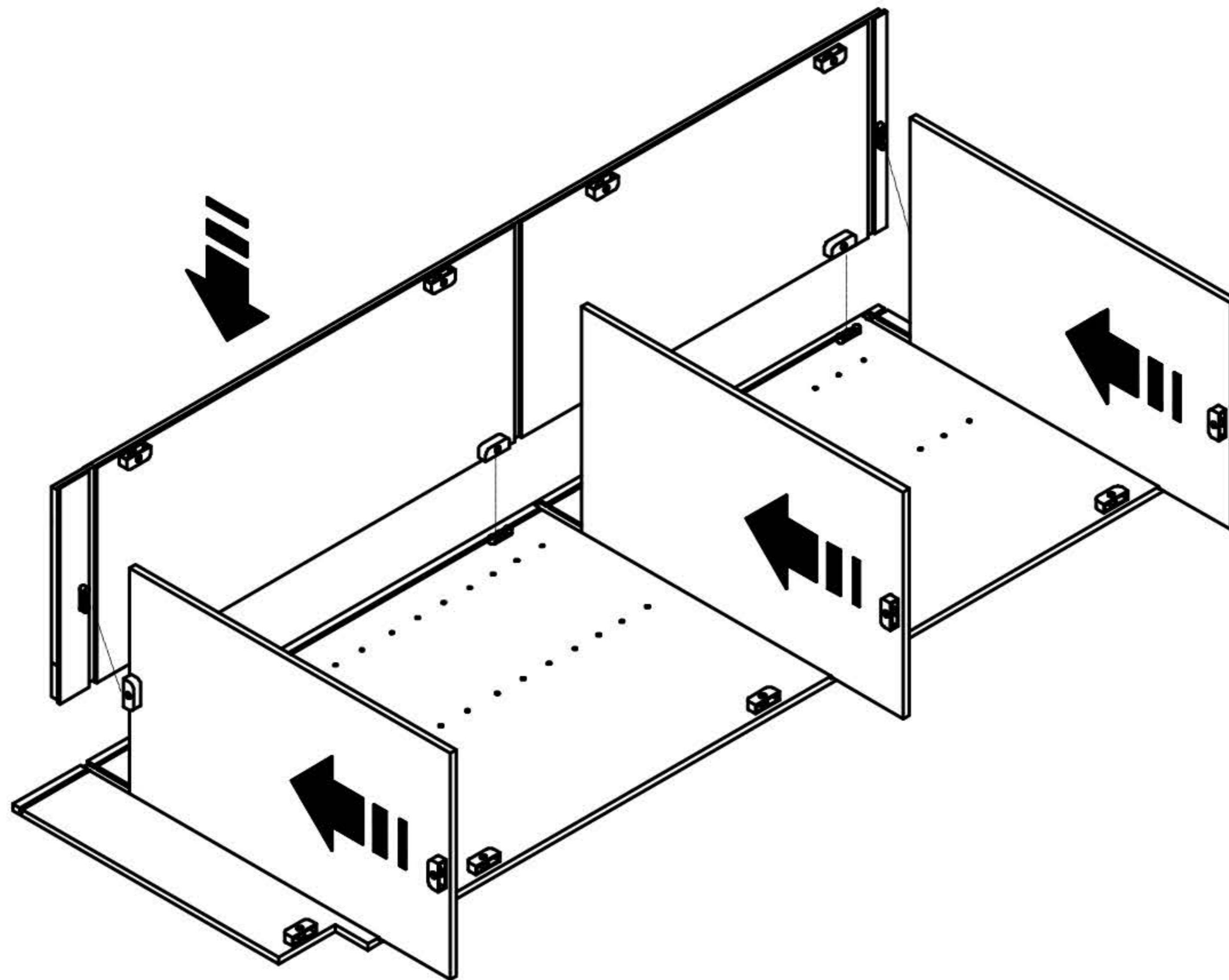
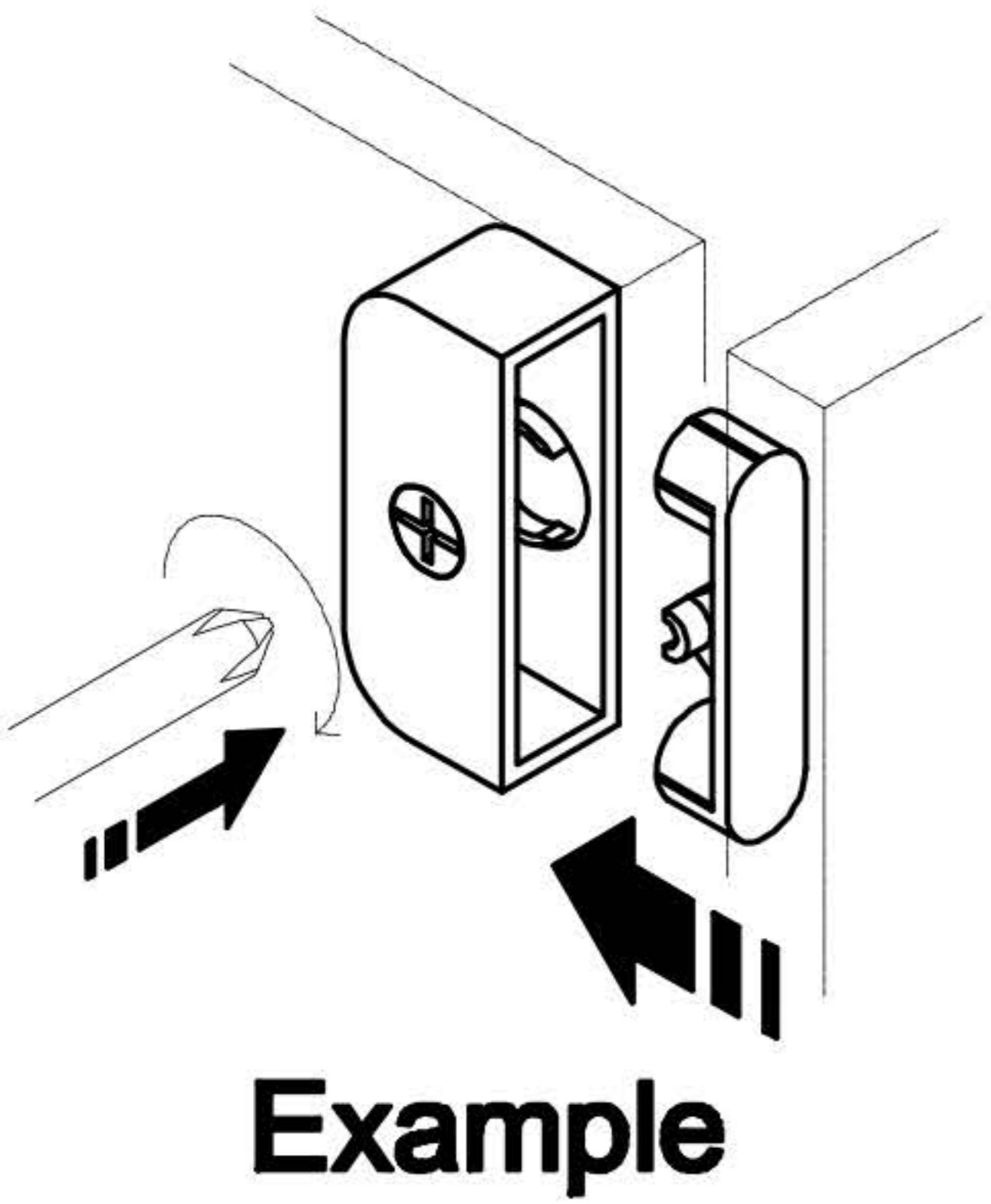


# LORY CABINETS

## Mocha Shaker Pg. 14




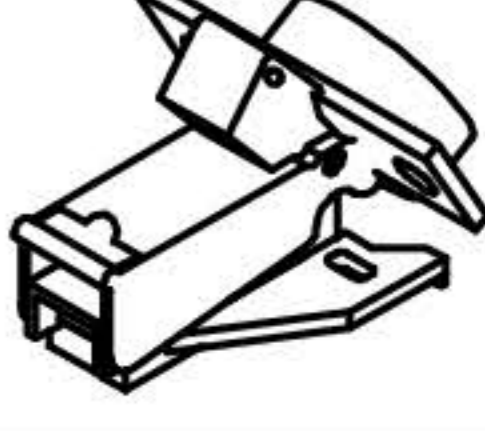

Code	A
Icon	
Number	24PS

WP2496

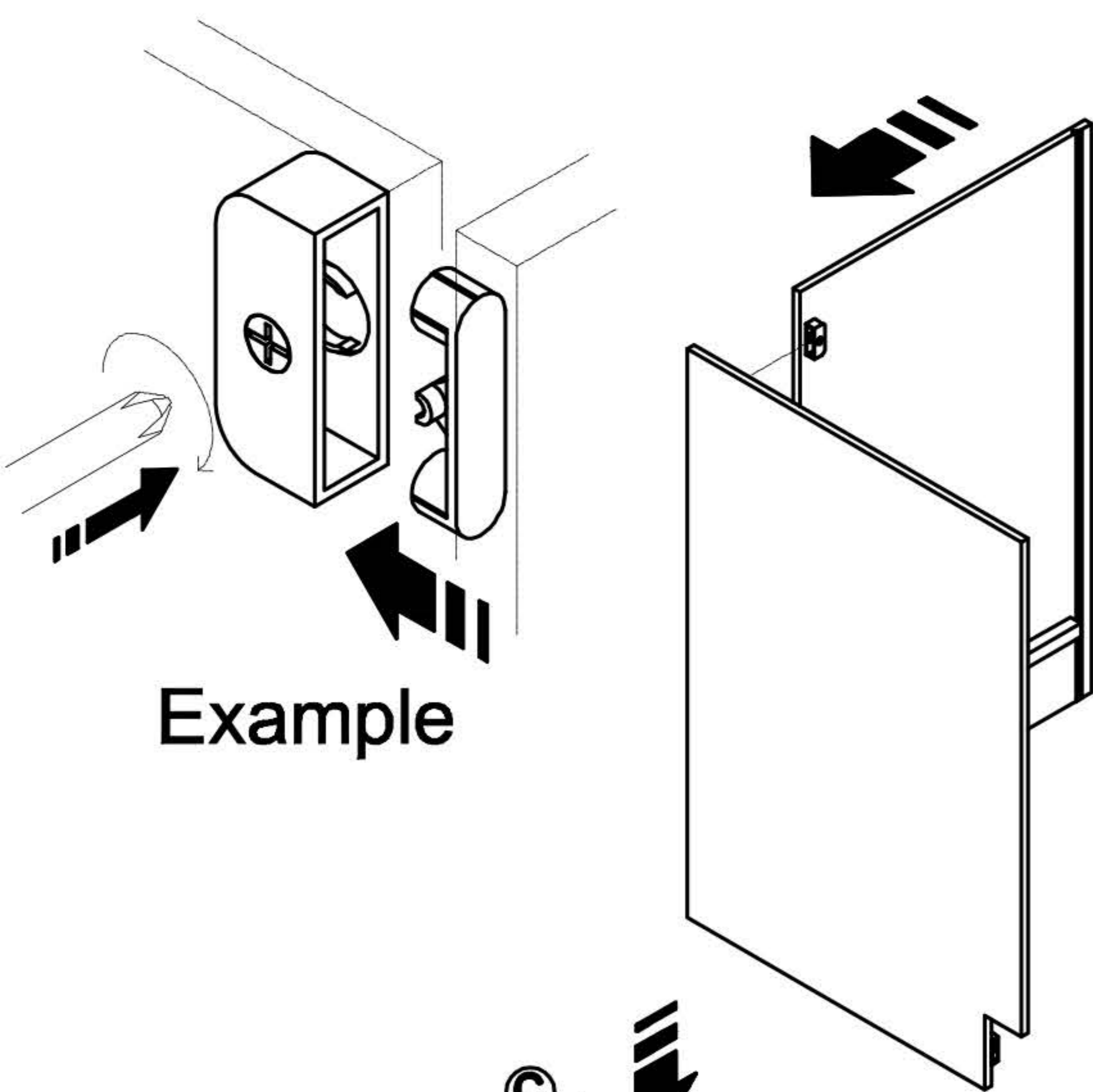


# LORY CABINETS

## Mocha Shaker Pg. 15

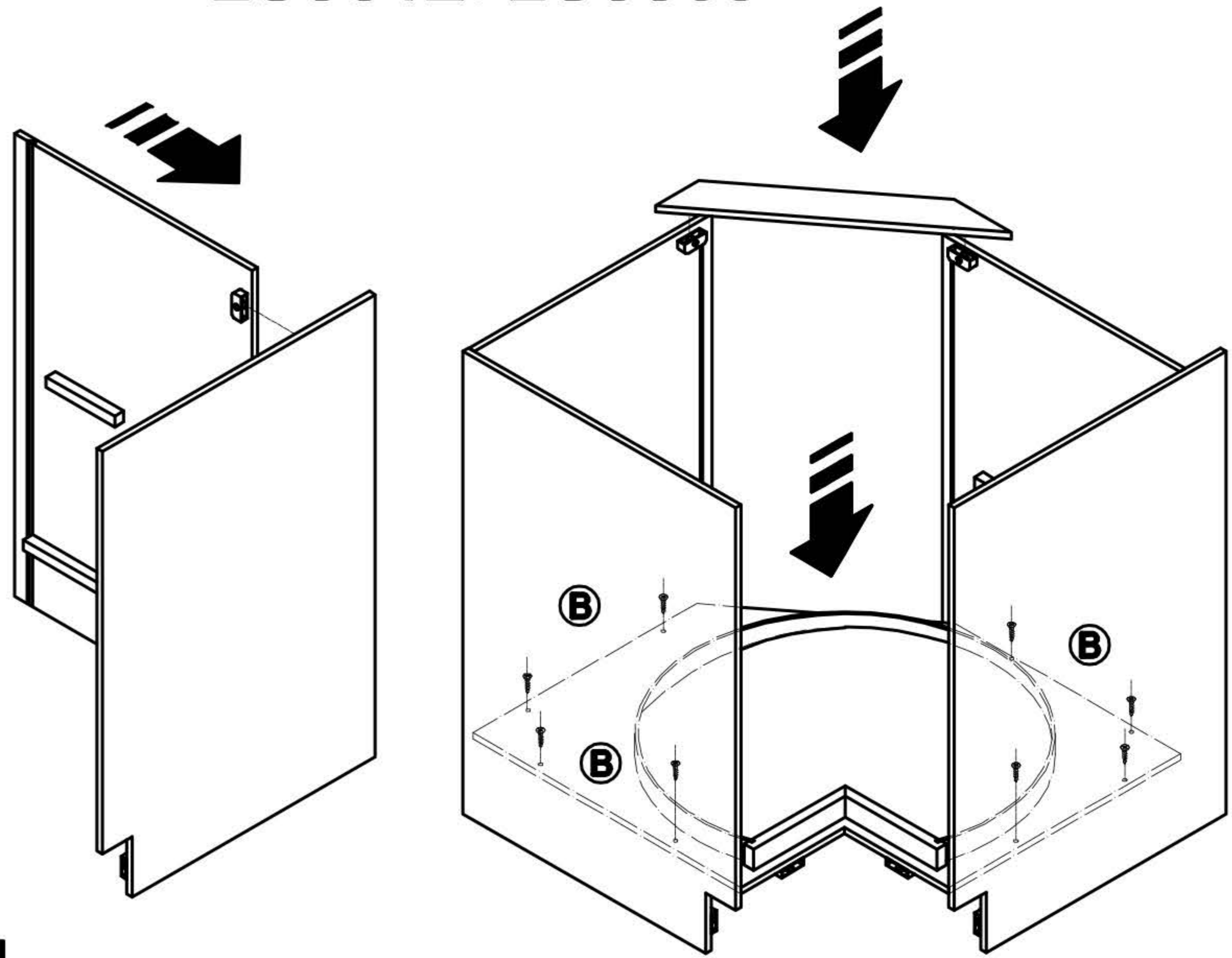
Code	A	B	C	D	E
Icon					
Number	9PS	10PS	4PS	2PS	8PS

LS3612, LS3309

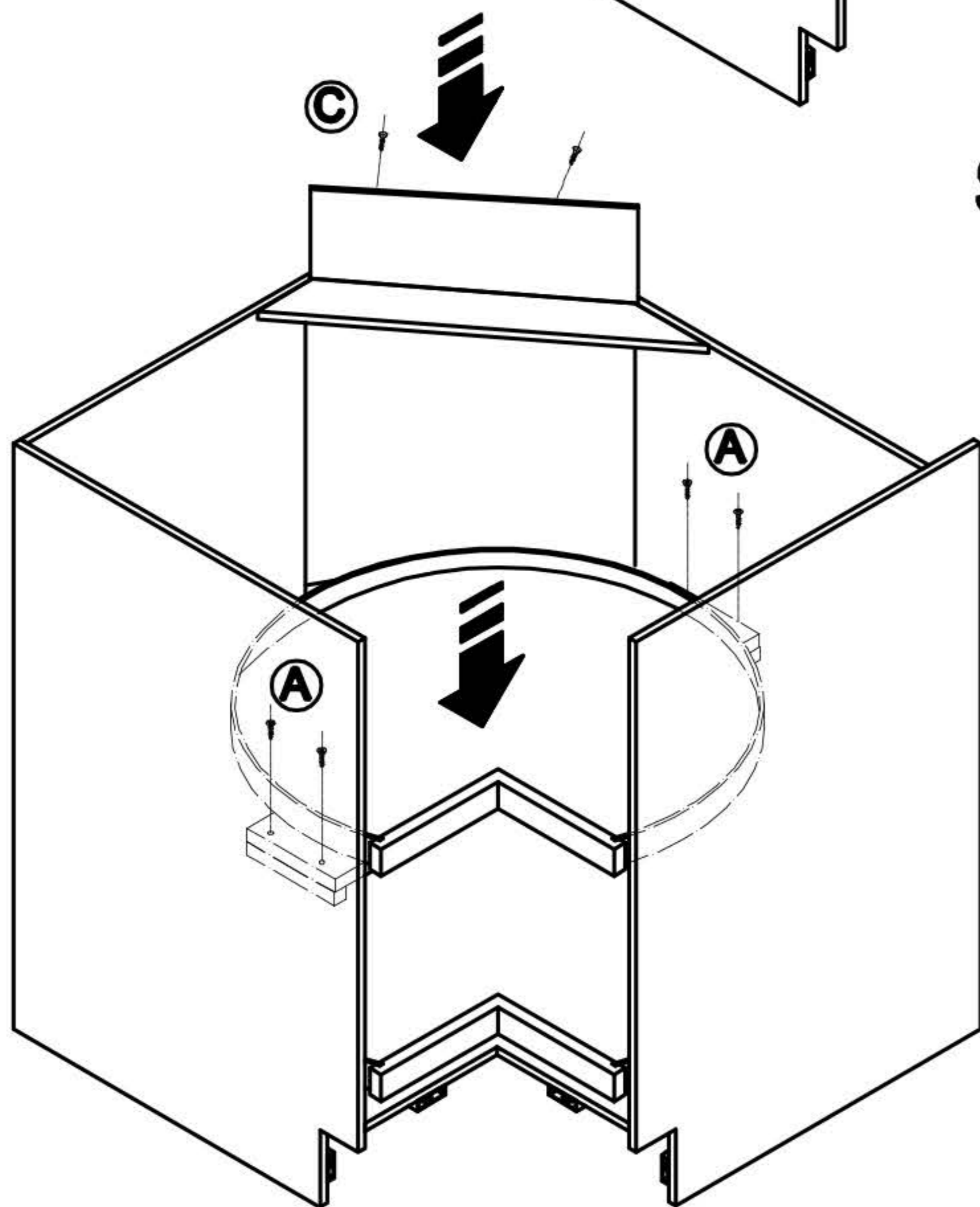


Example

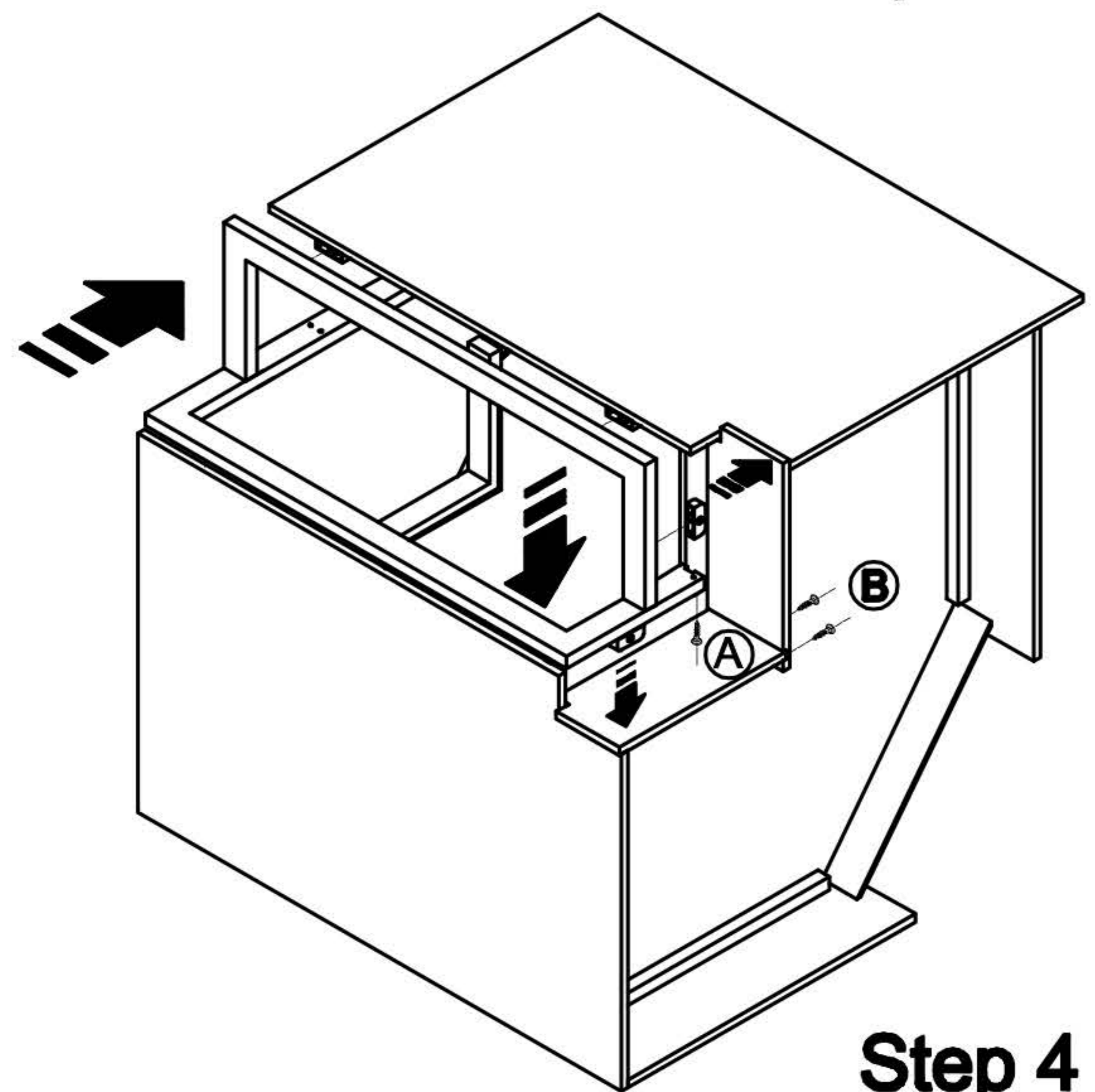
Step 1



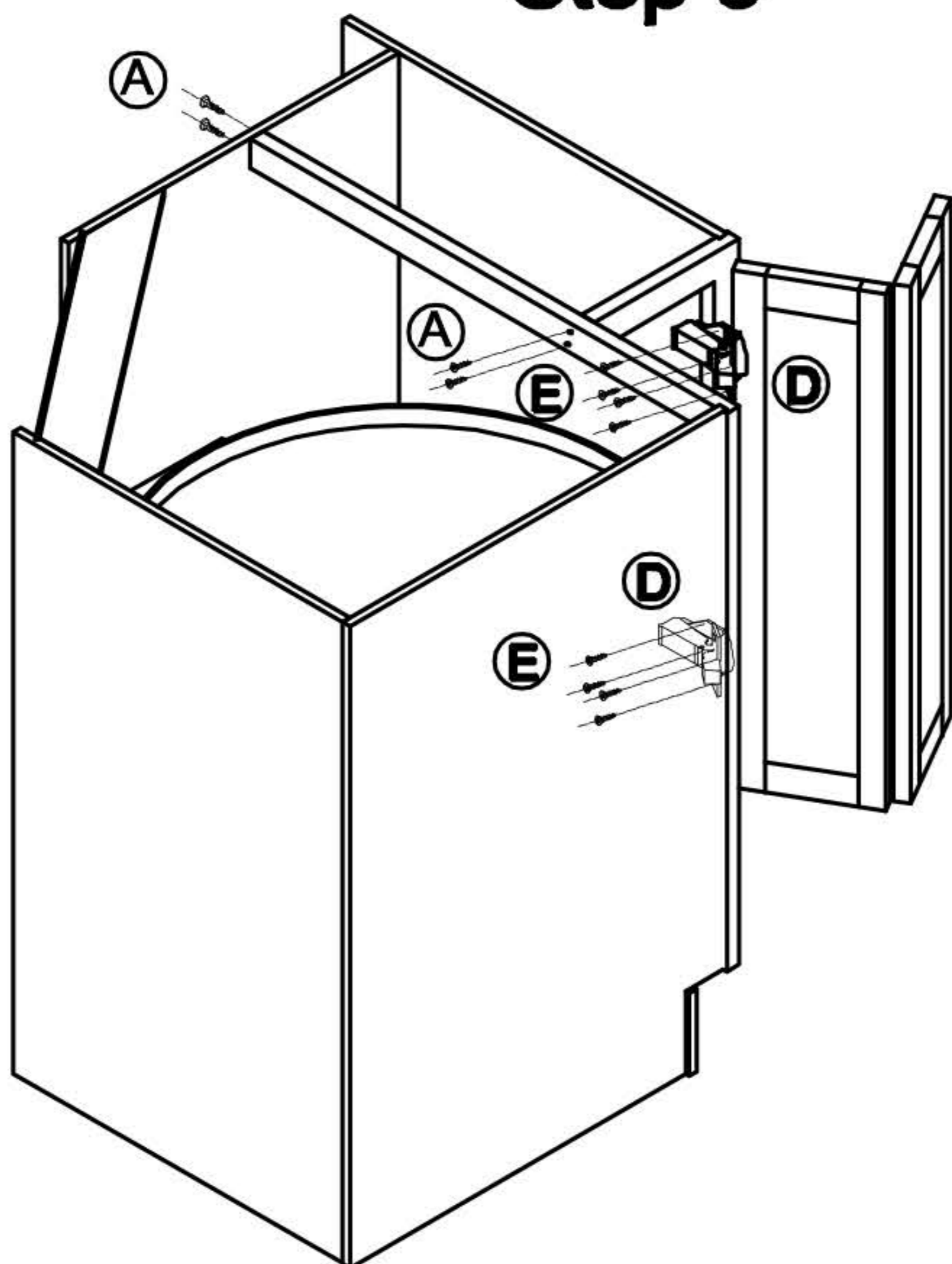
Step 2



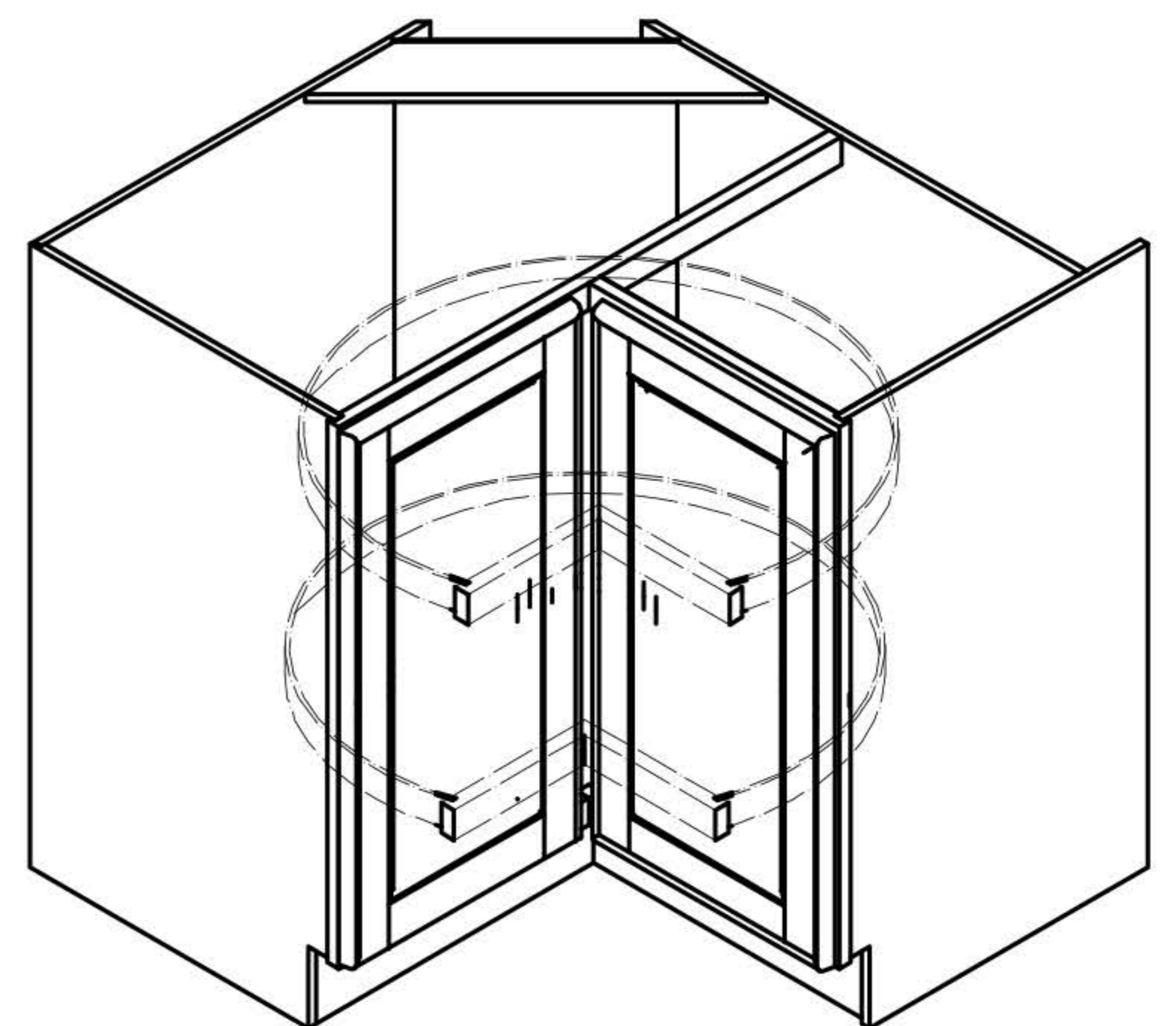
Step 3



Step 4



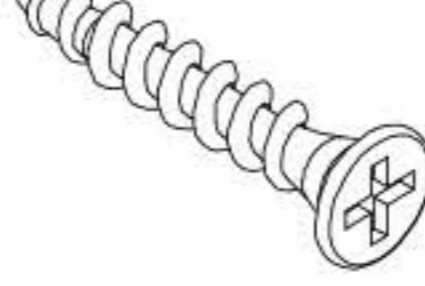


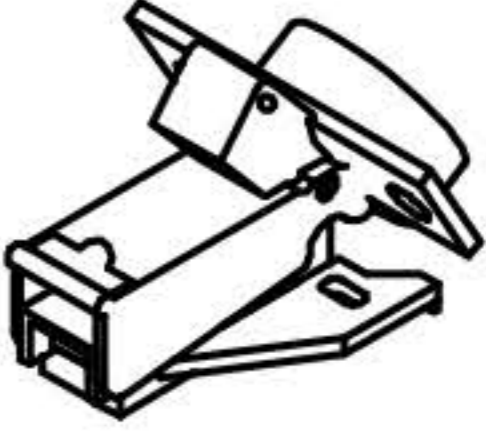

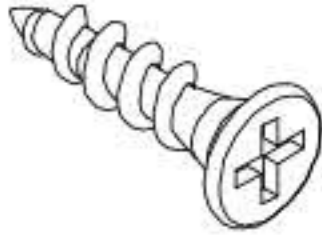
Step 5



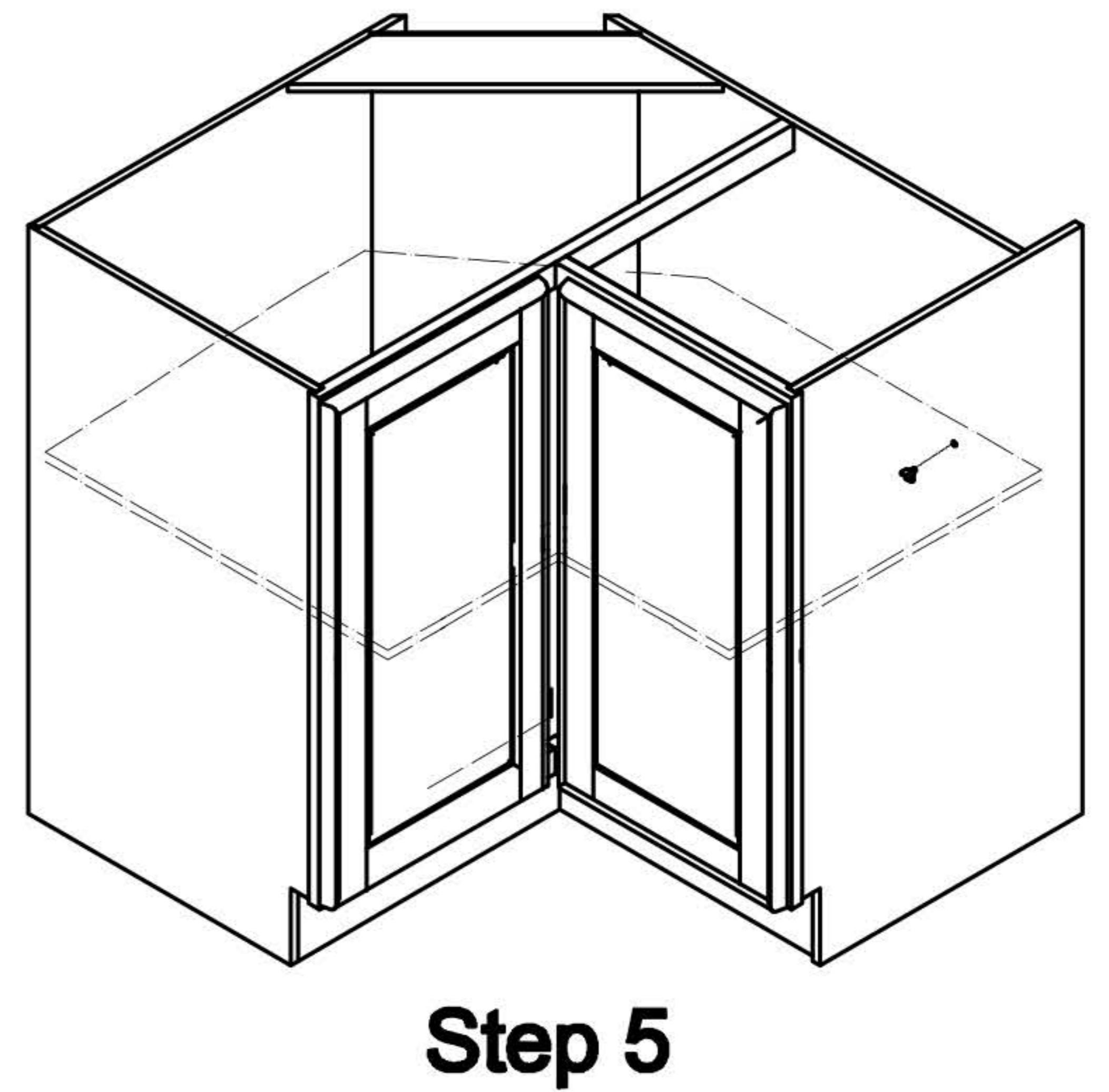
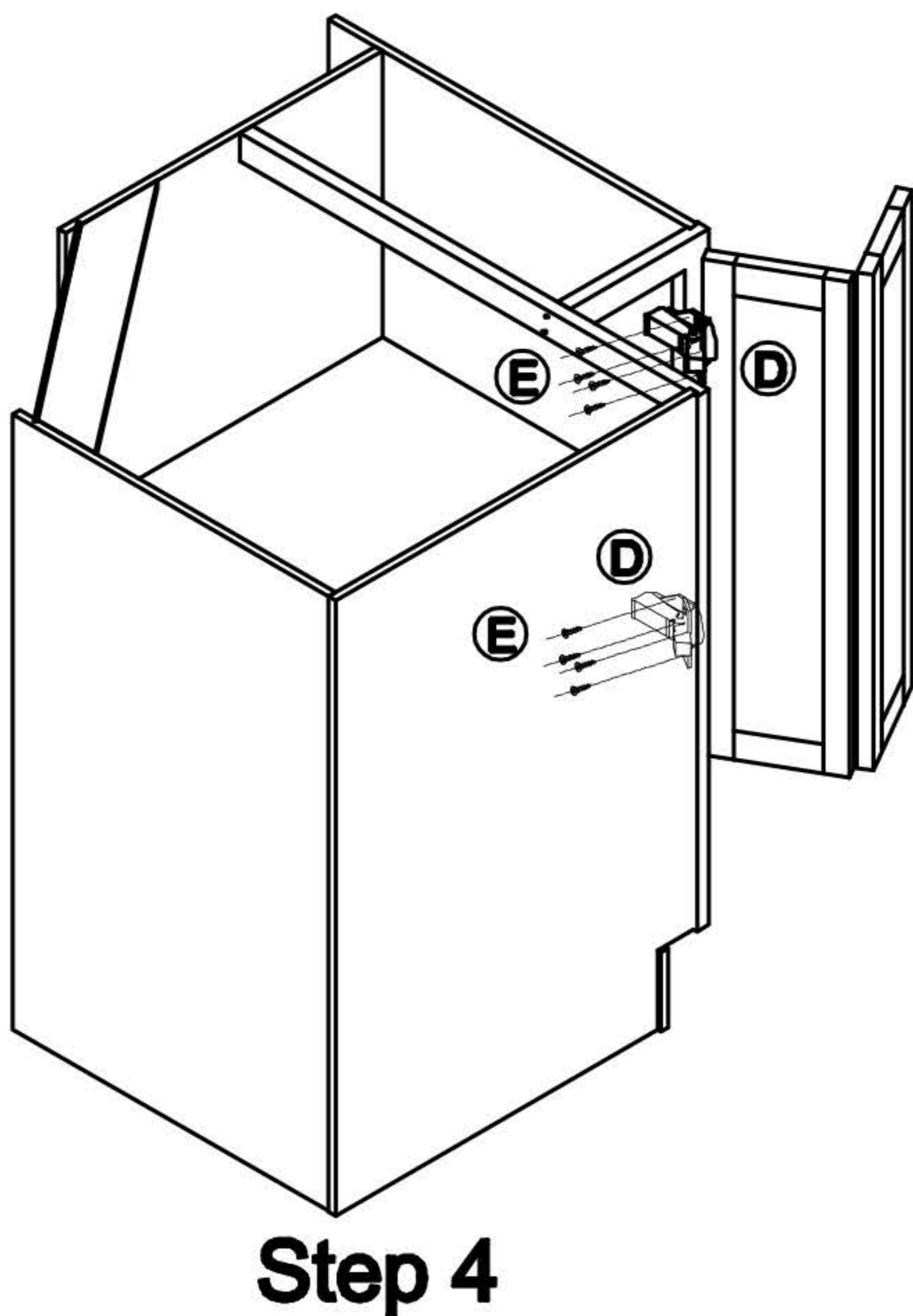
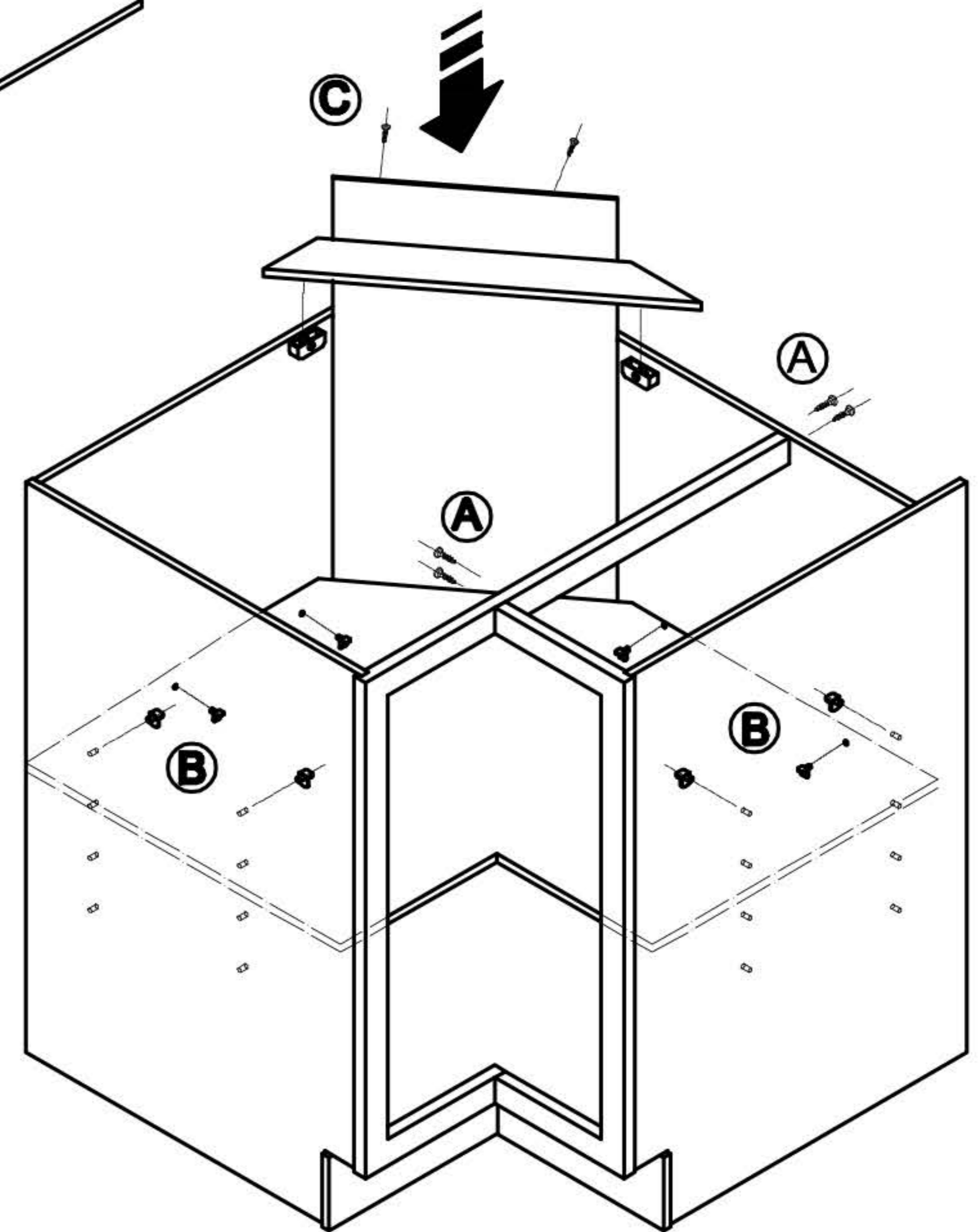
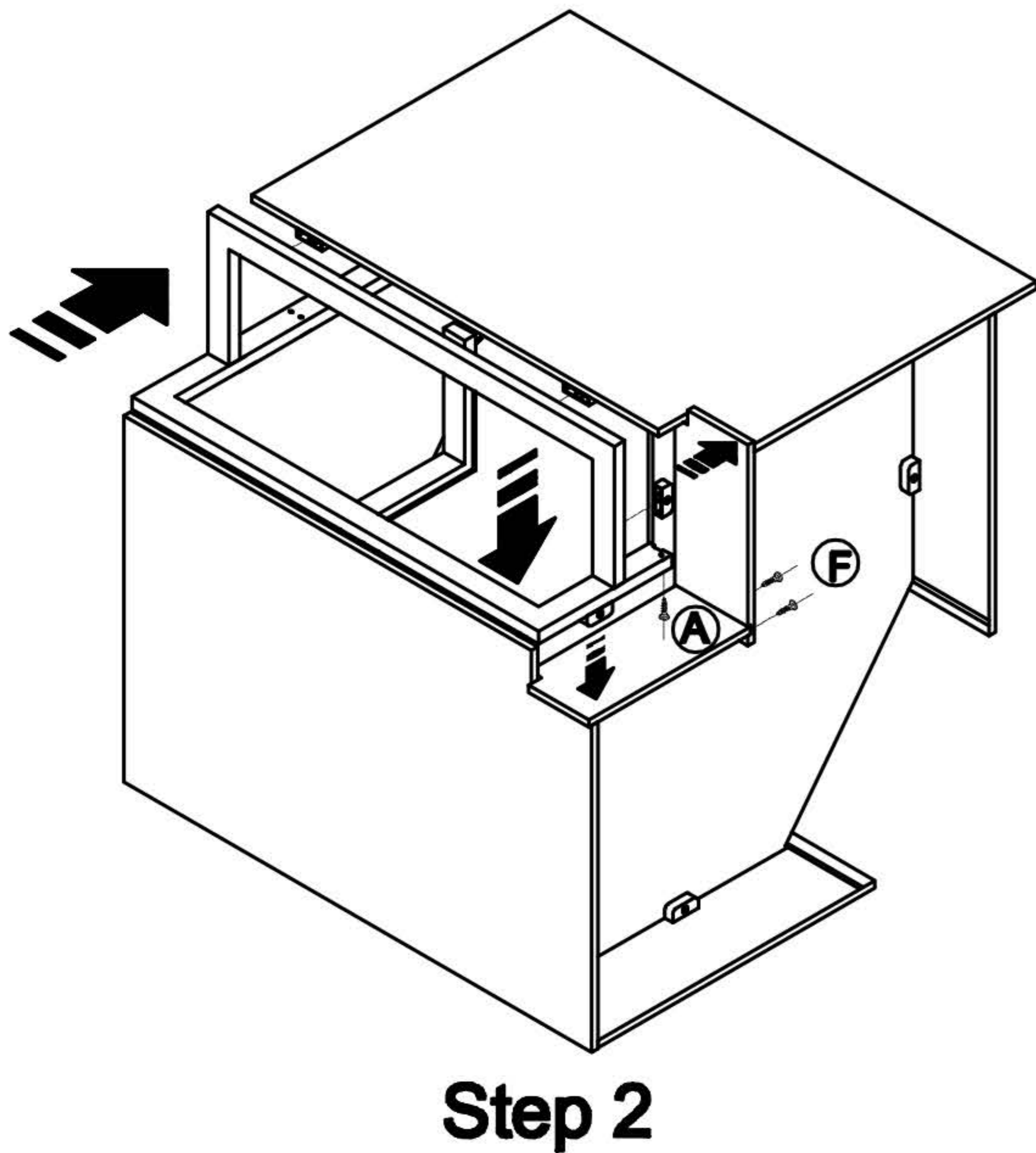
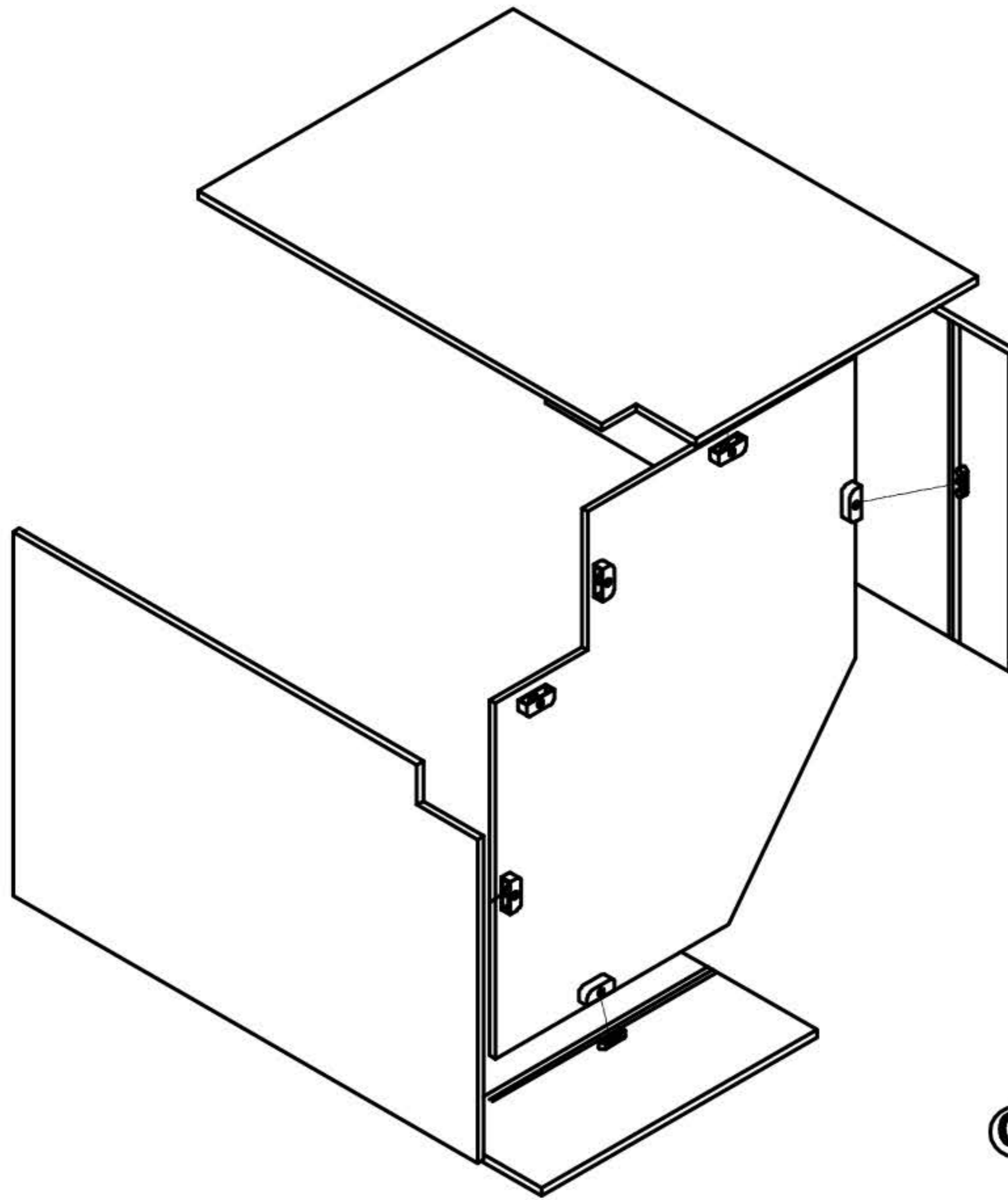
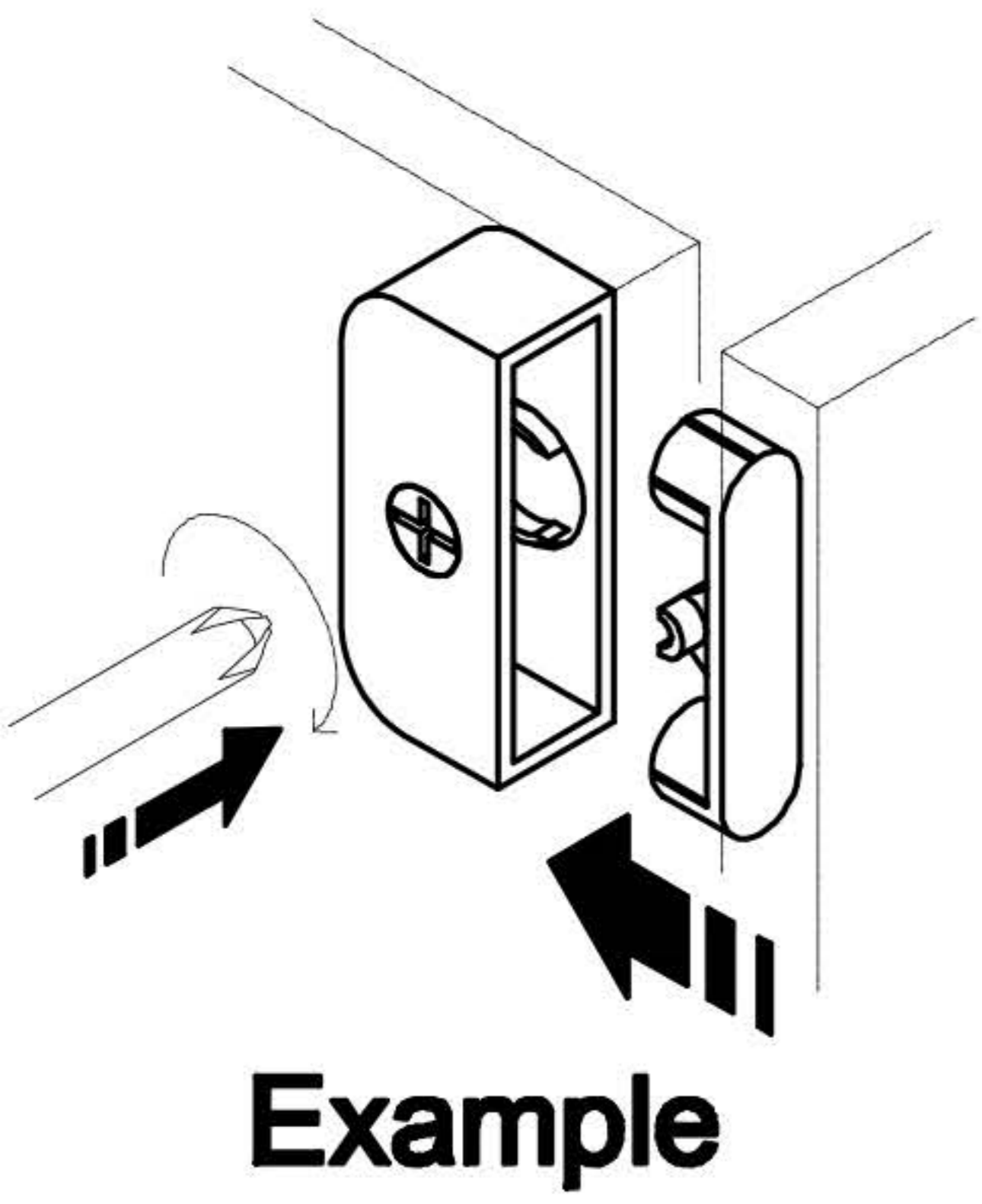
Step 6

# LORY CABINETS

## Mocha Shaker Pg. 16

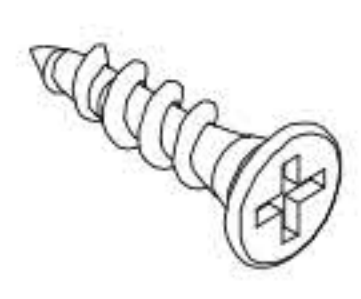
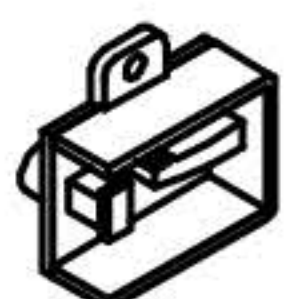
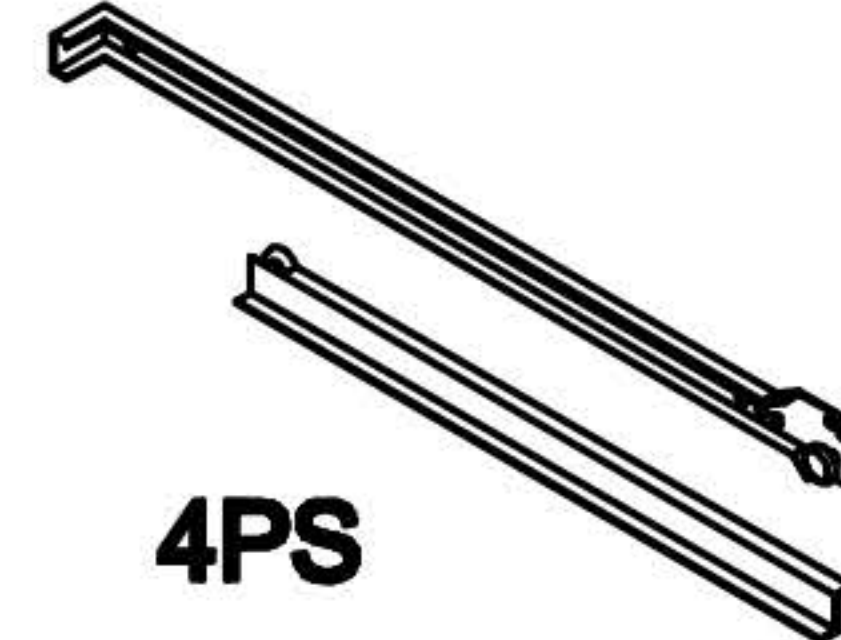
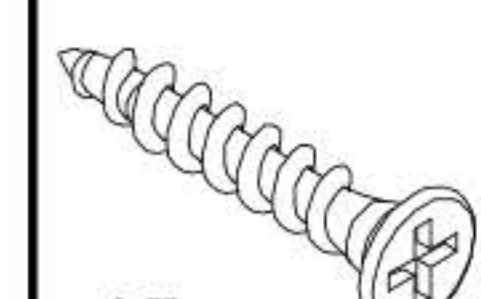
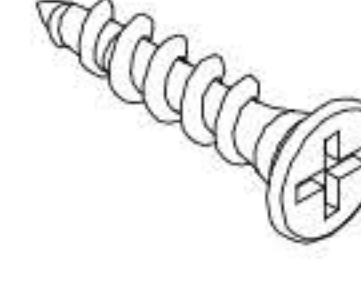
Code	A	B	C	D	E	F
Icon	1 3/8" 		5/8" 		3/8" 	1" 
Number	5PS	8PS	4PS	2PS	8PS	2PS

**BSQC3612\BSQC3309**

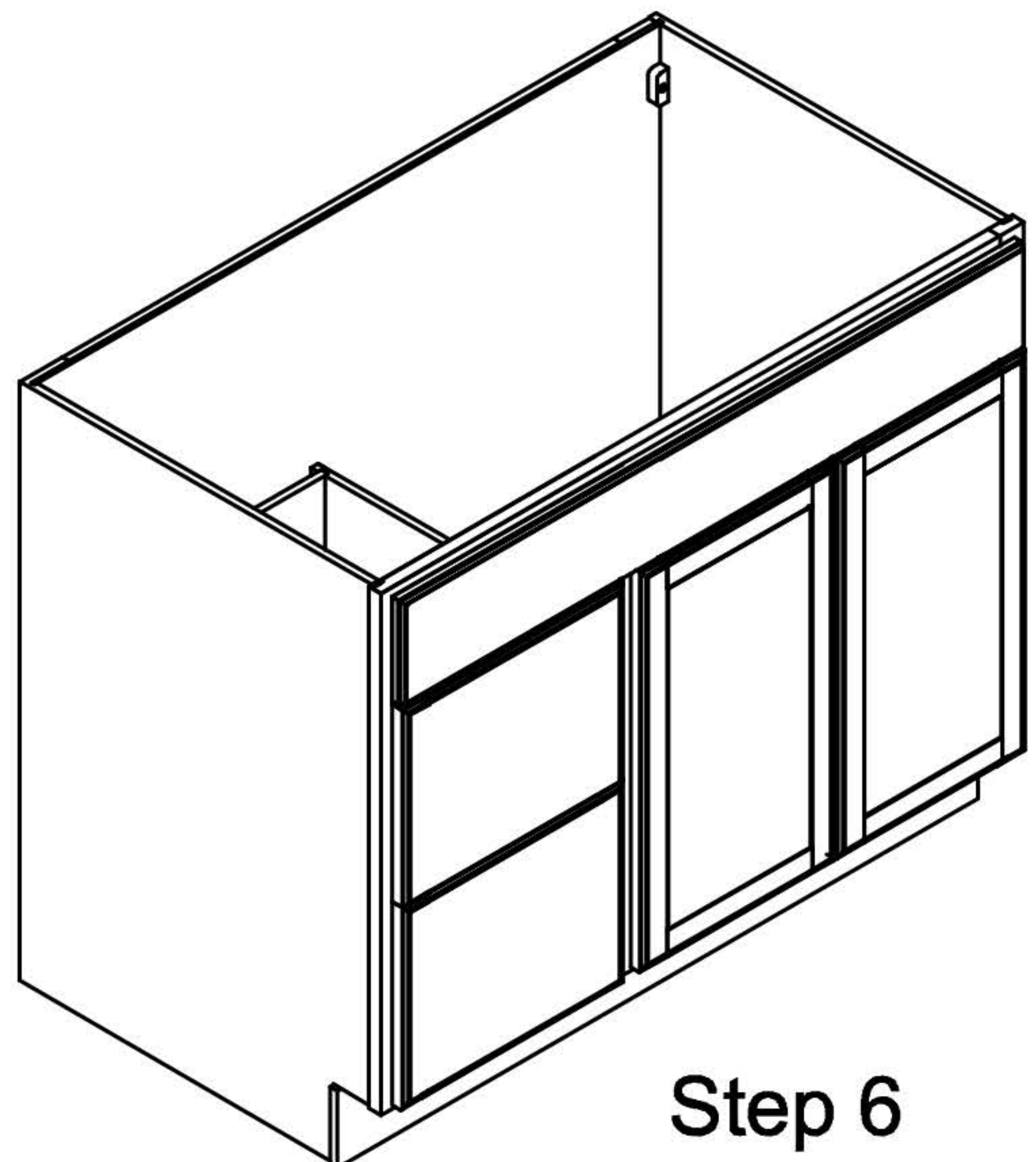
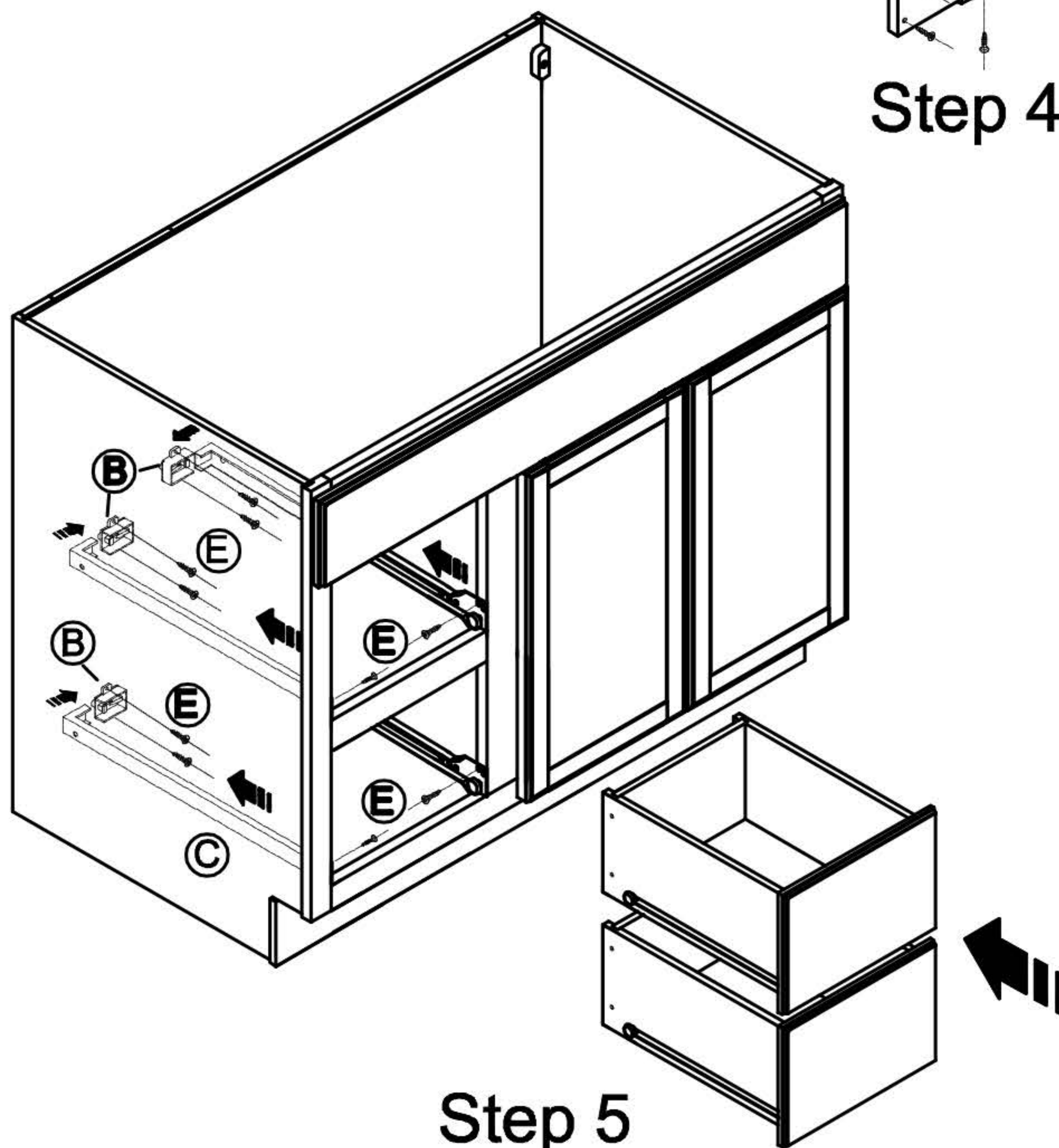
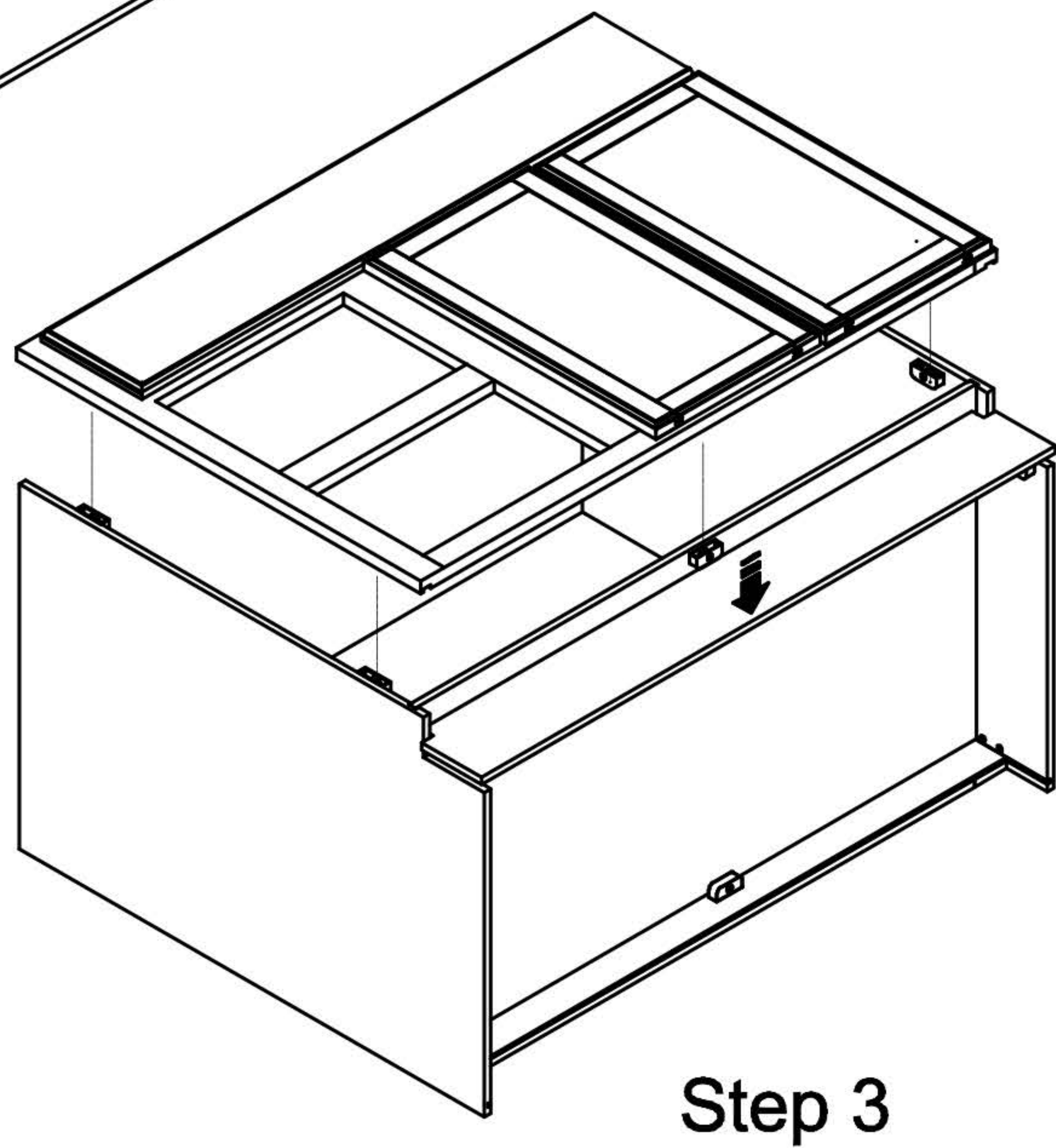
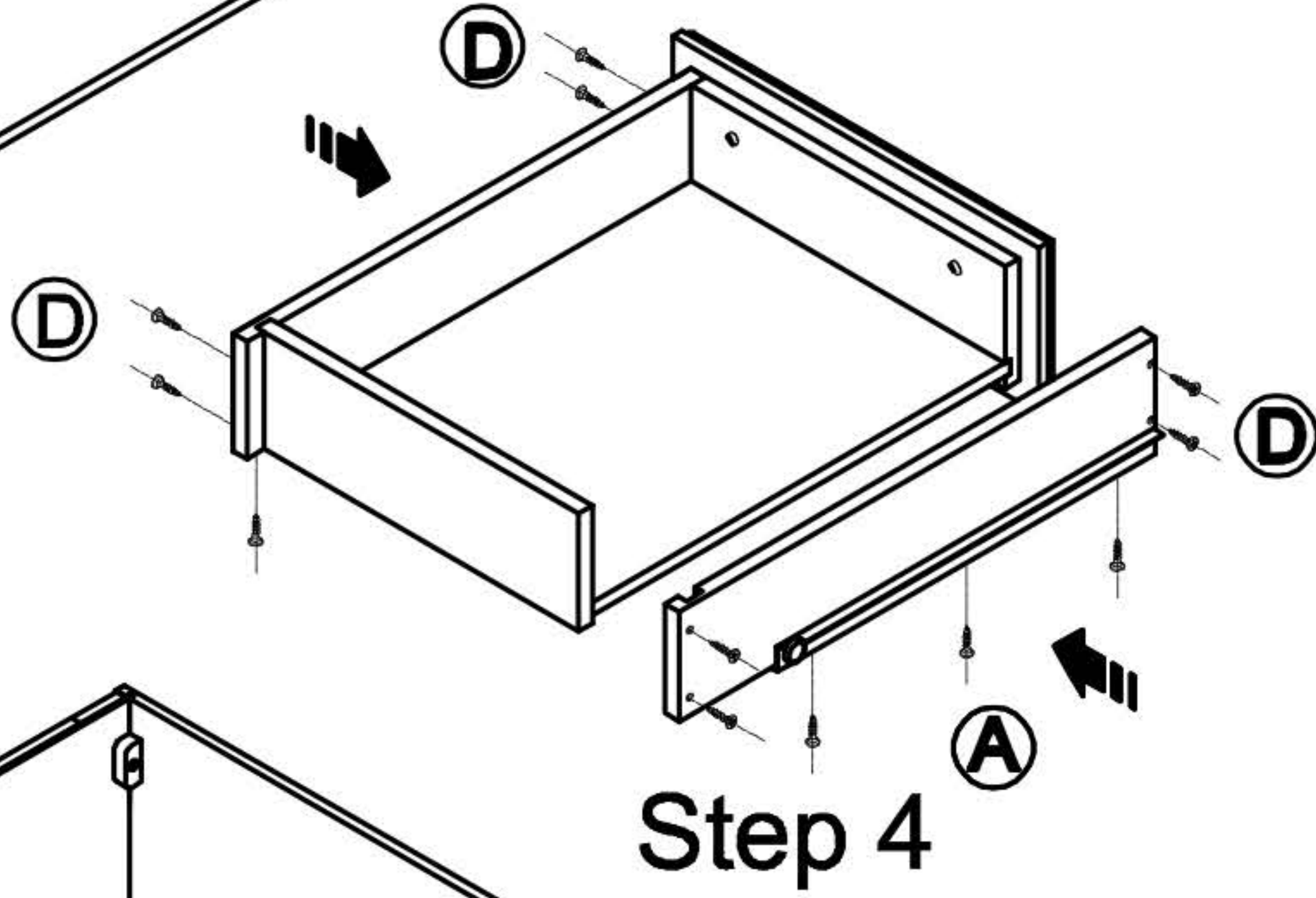
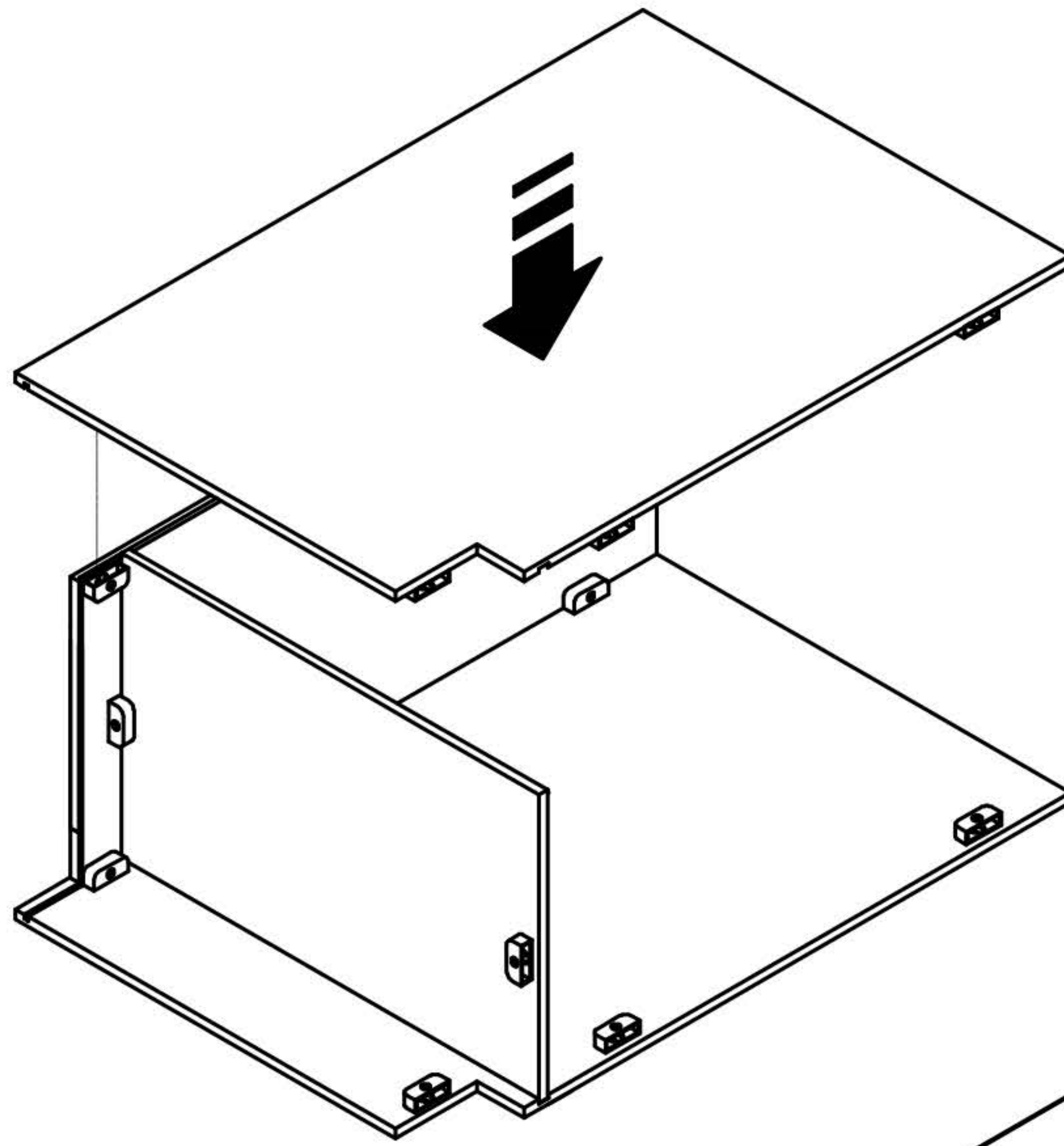
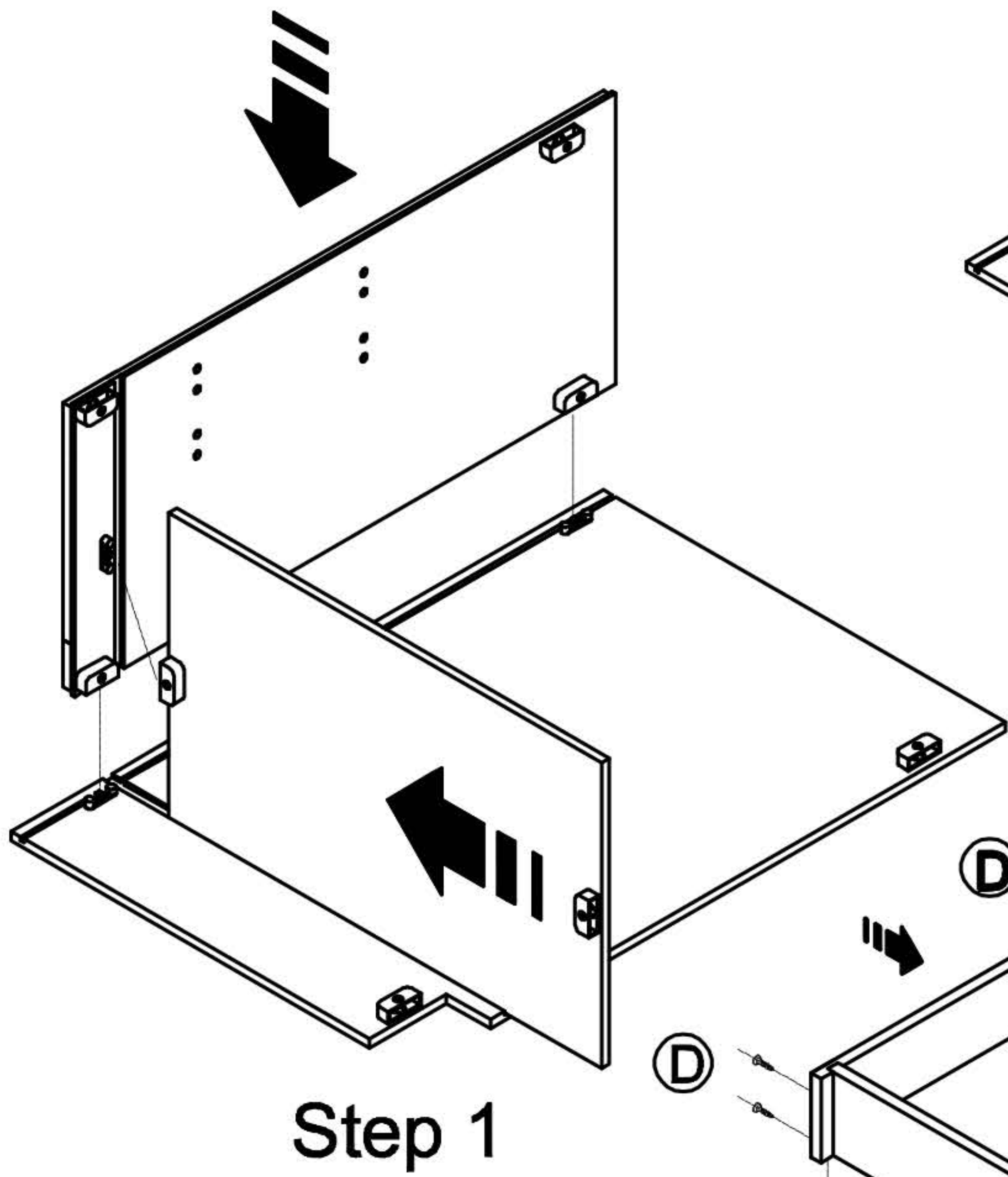
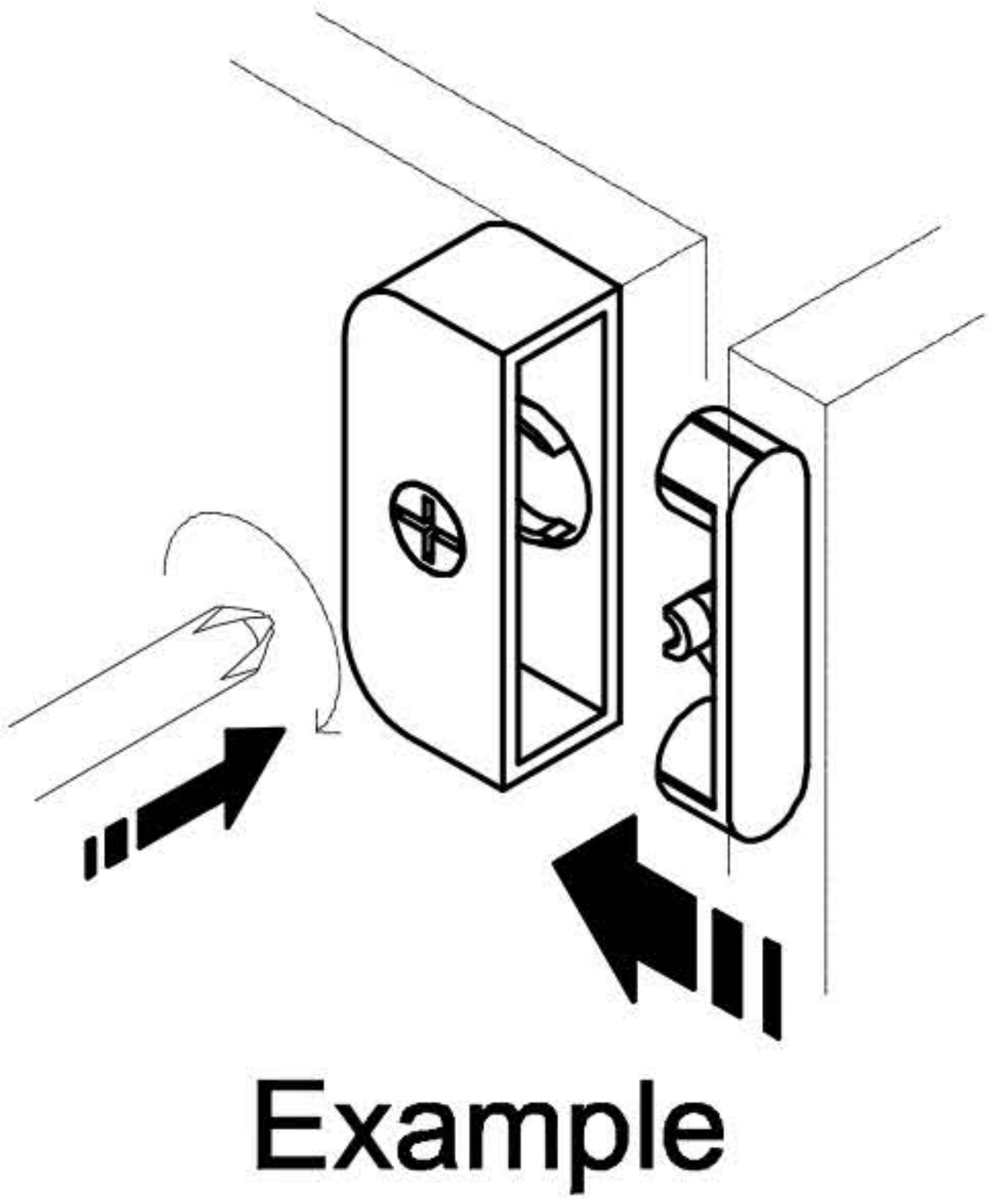


# LORY CABINETS

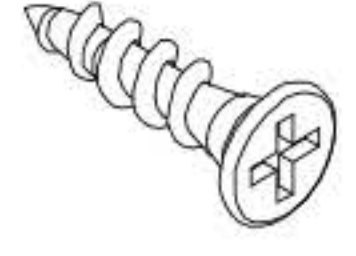

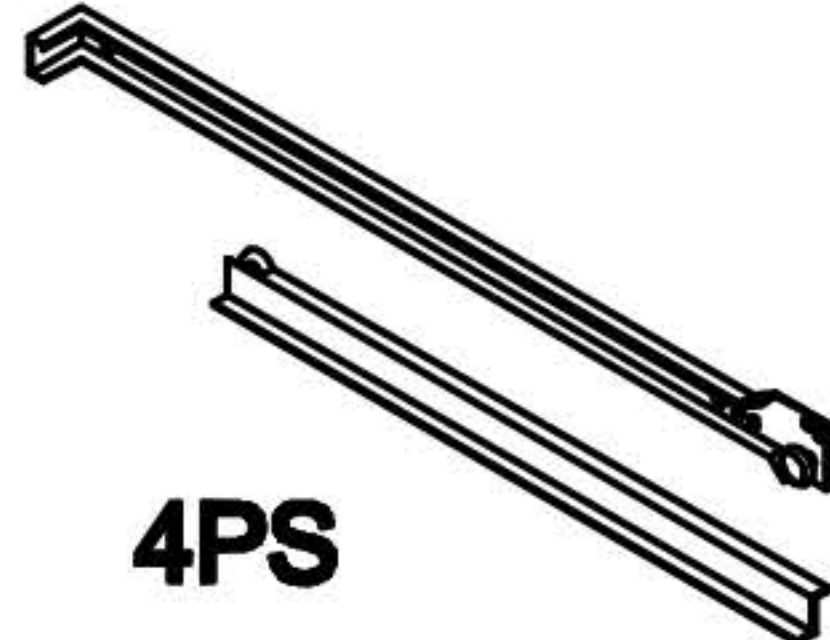
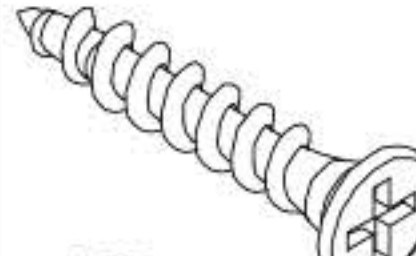
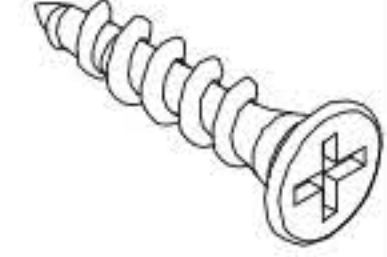
## Mocha Shaker Pg. 17

Code	A	B	C	D	E
Icon	 1 1/2"			 1"	 5/8"
Number	12PS	4PS	4PS	16PS	12PS

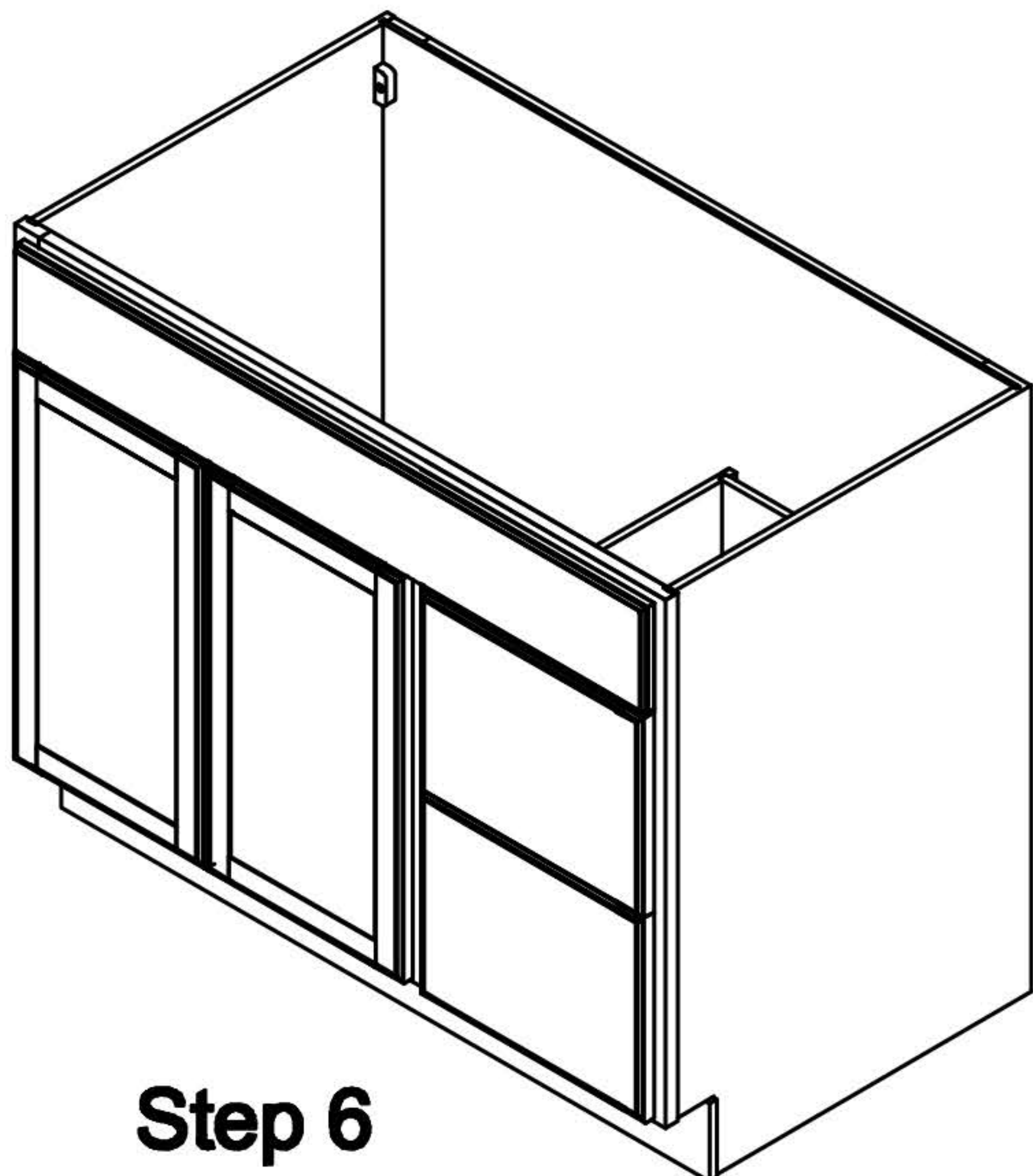
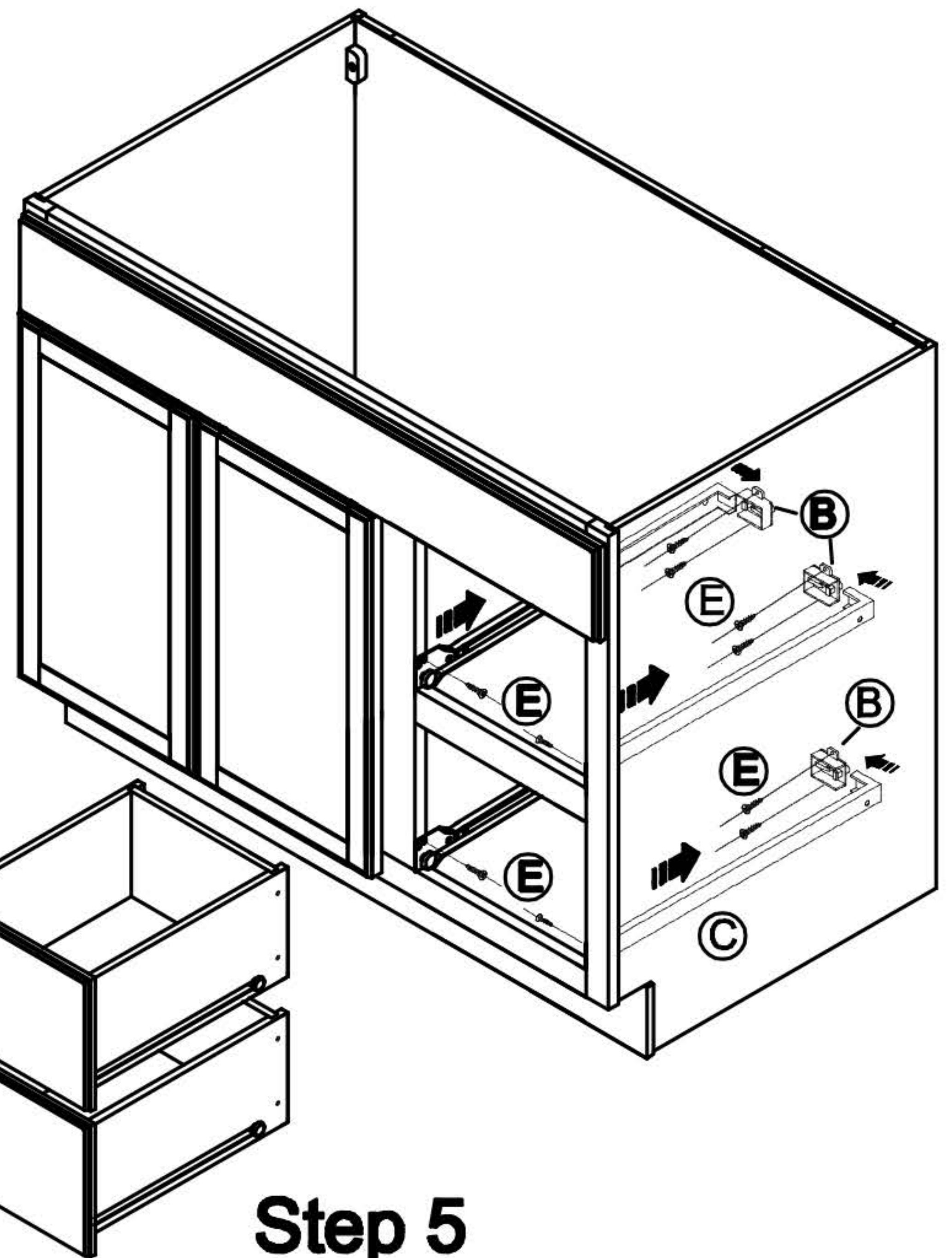
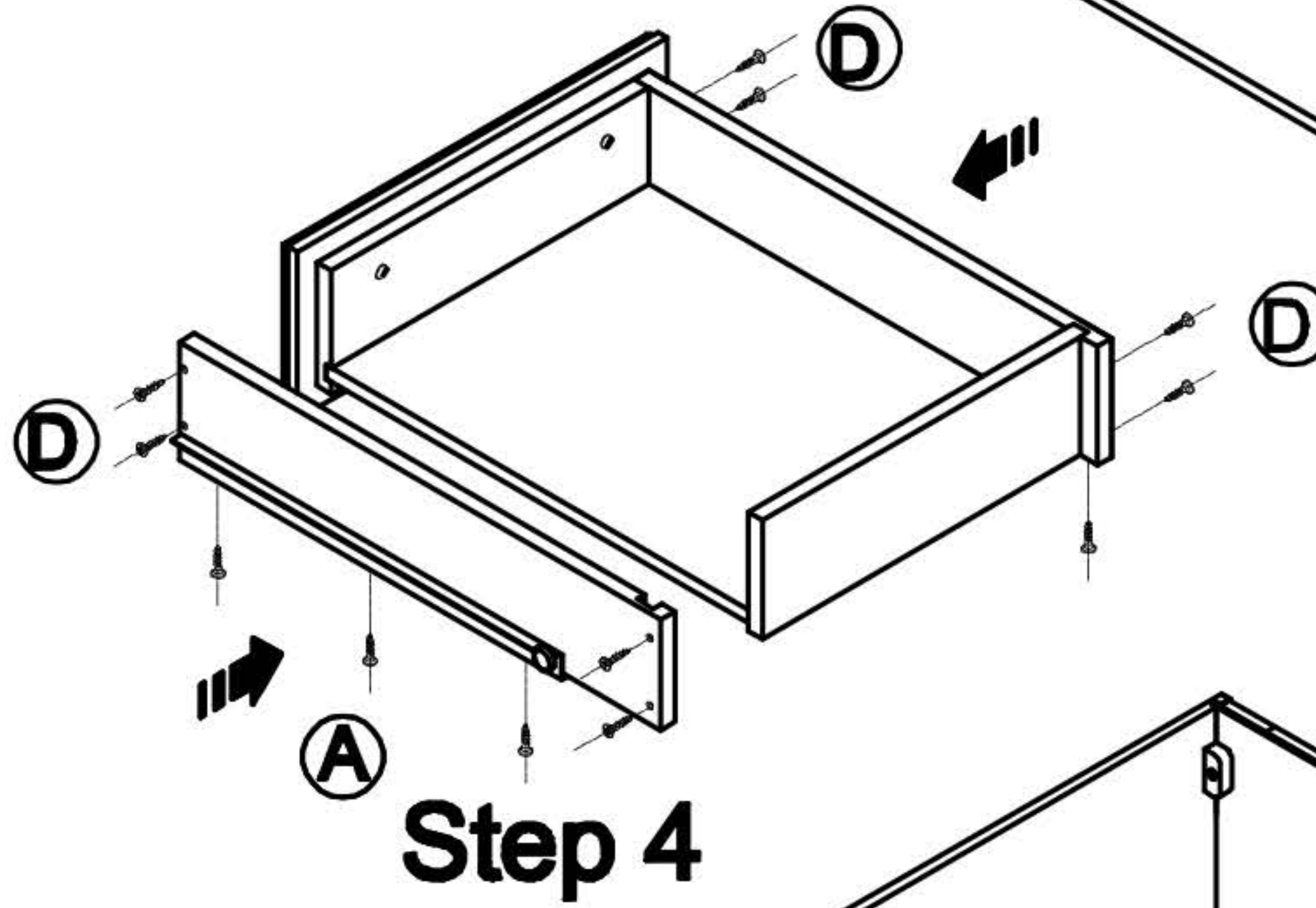
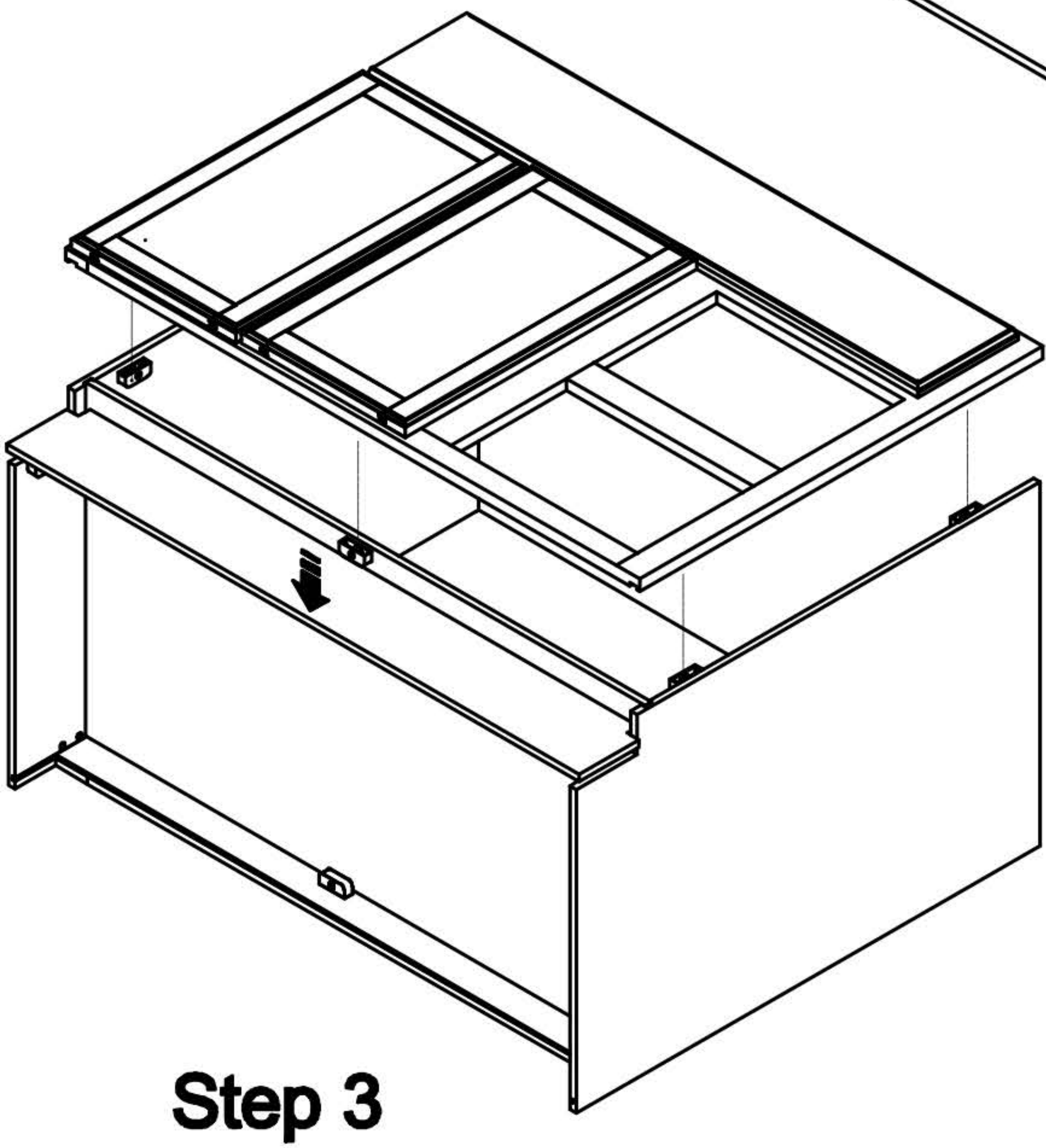
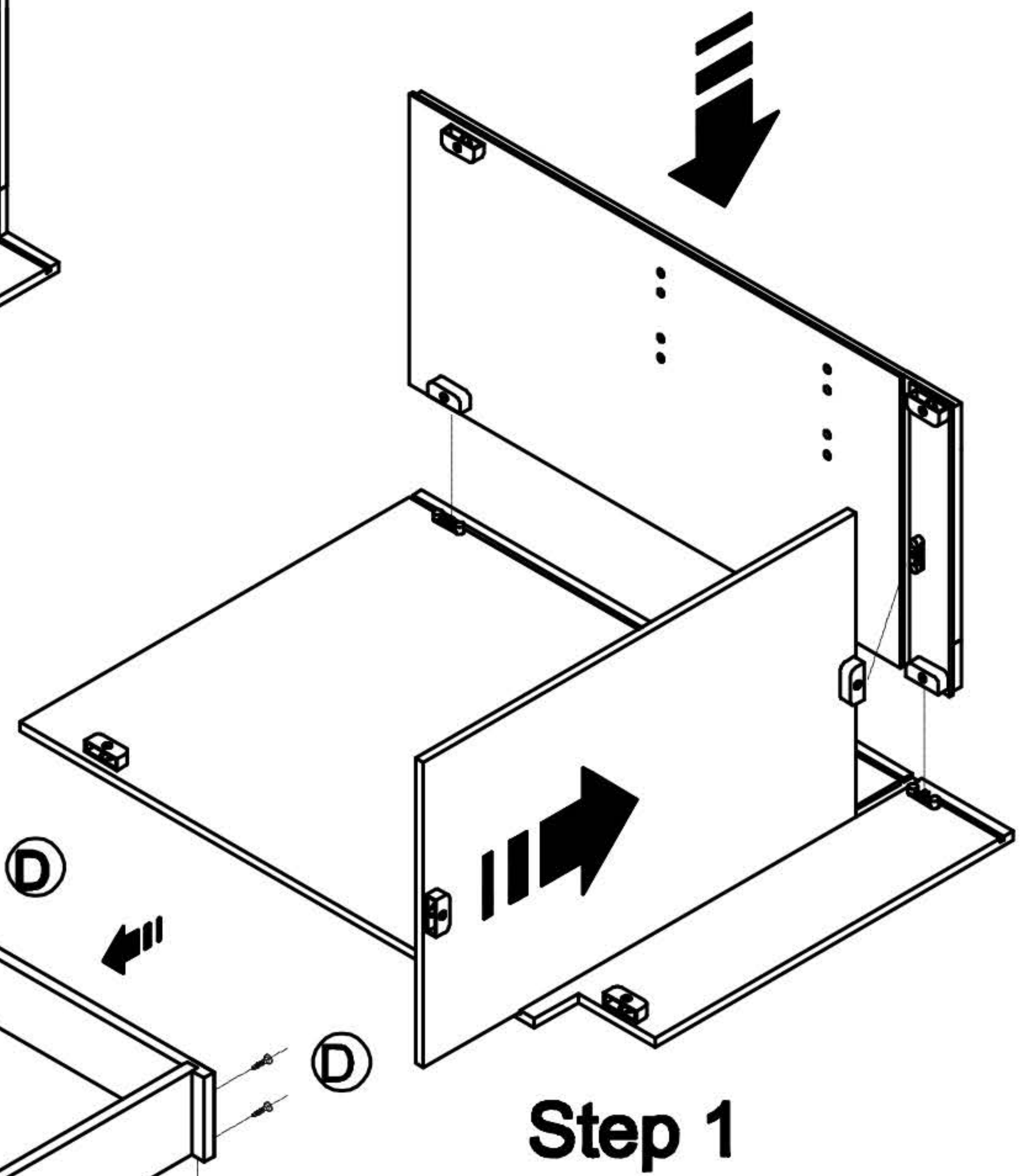
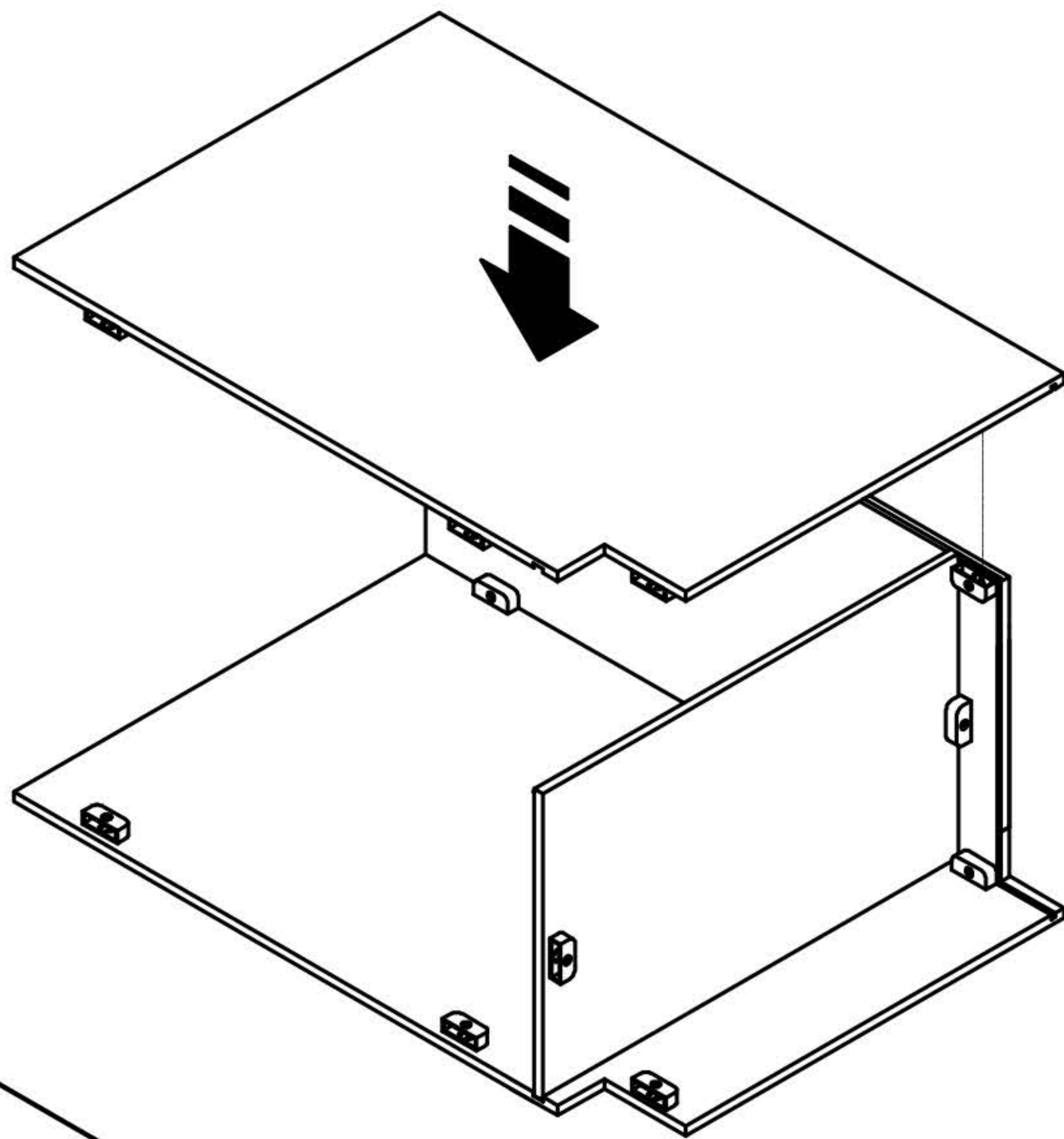
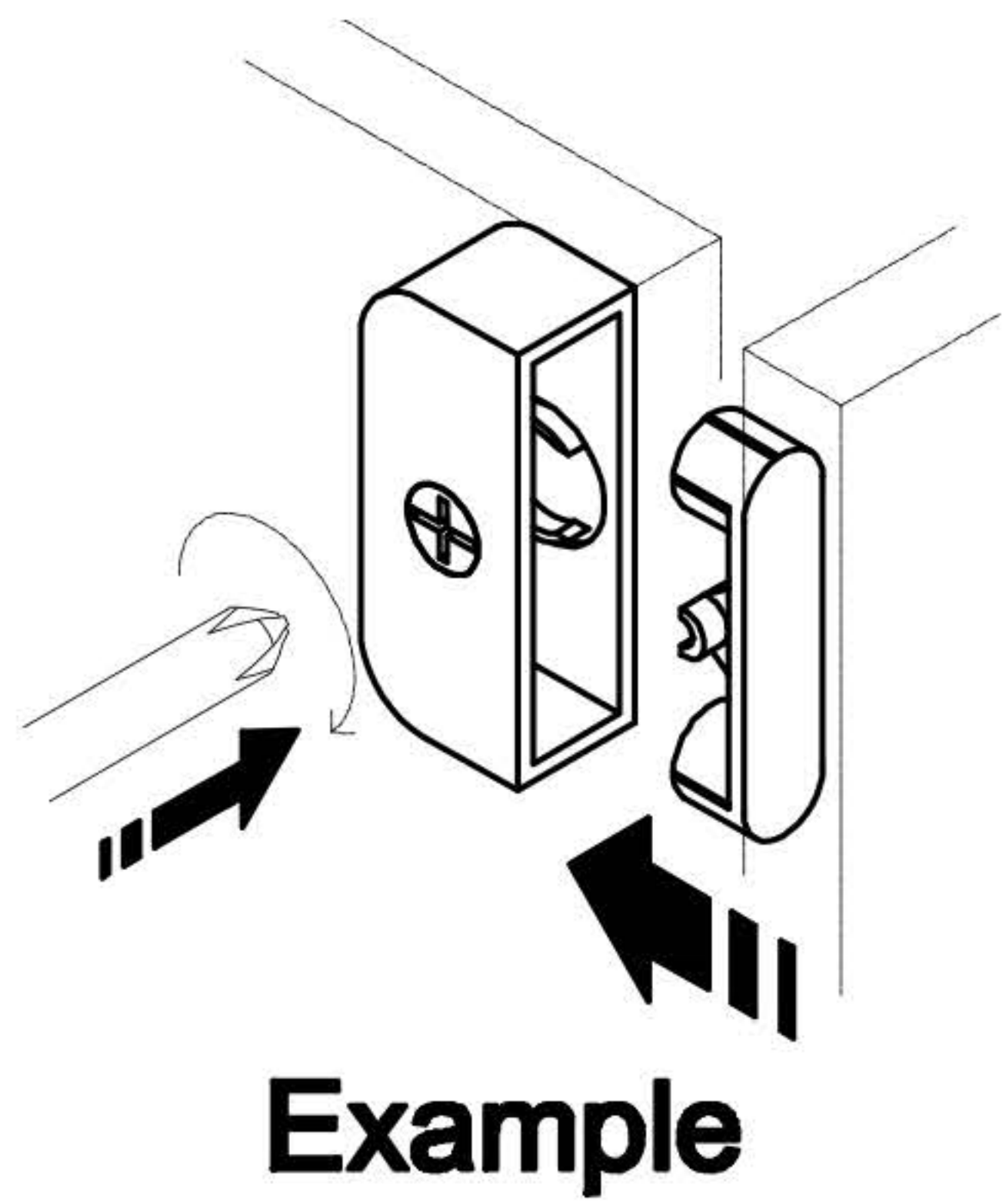
VA3621DL, VA4221DL



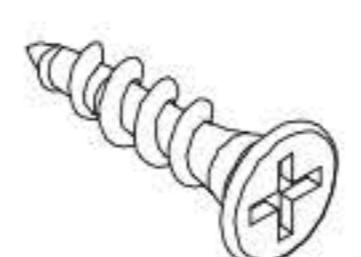
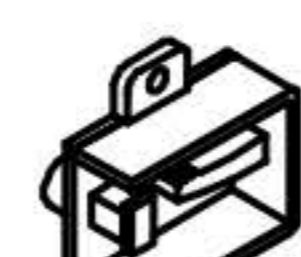
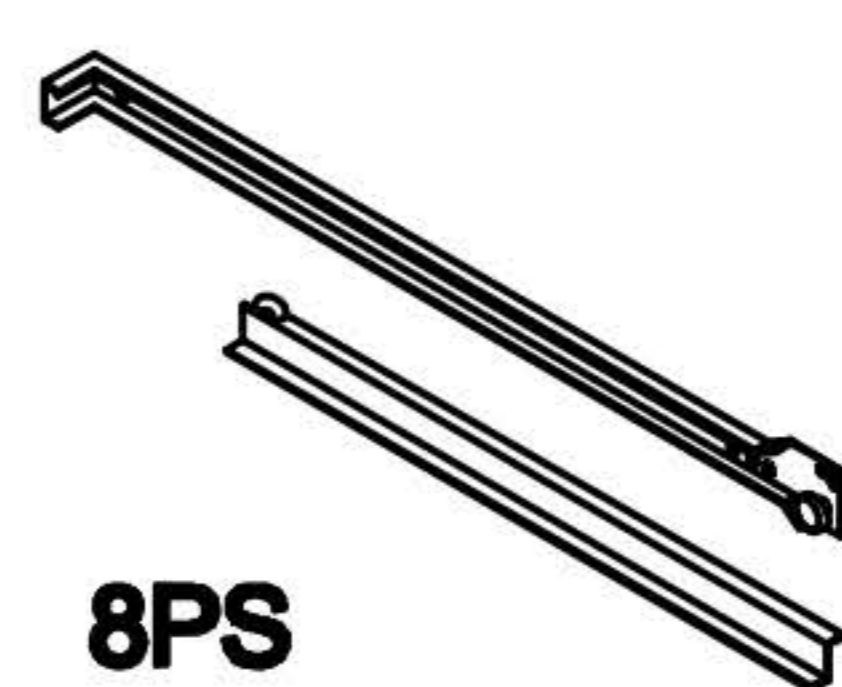
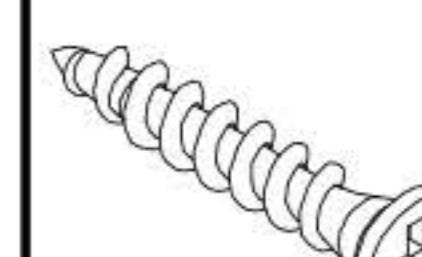
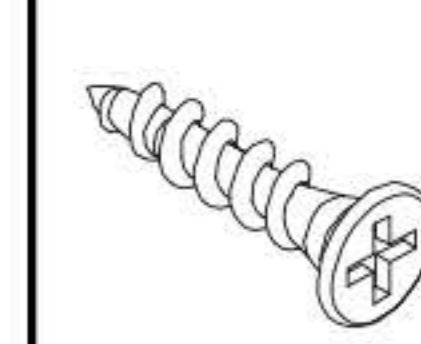
## Mocha Shaker Pg. 18

Code	A	B	C	D	E
Icon	 1 1/2"			 1"	 5/8"
Number	12PS	4PS	4PS	16PS	12PS

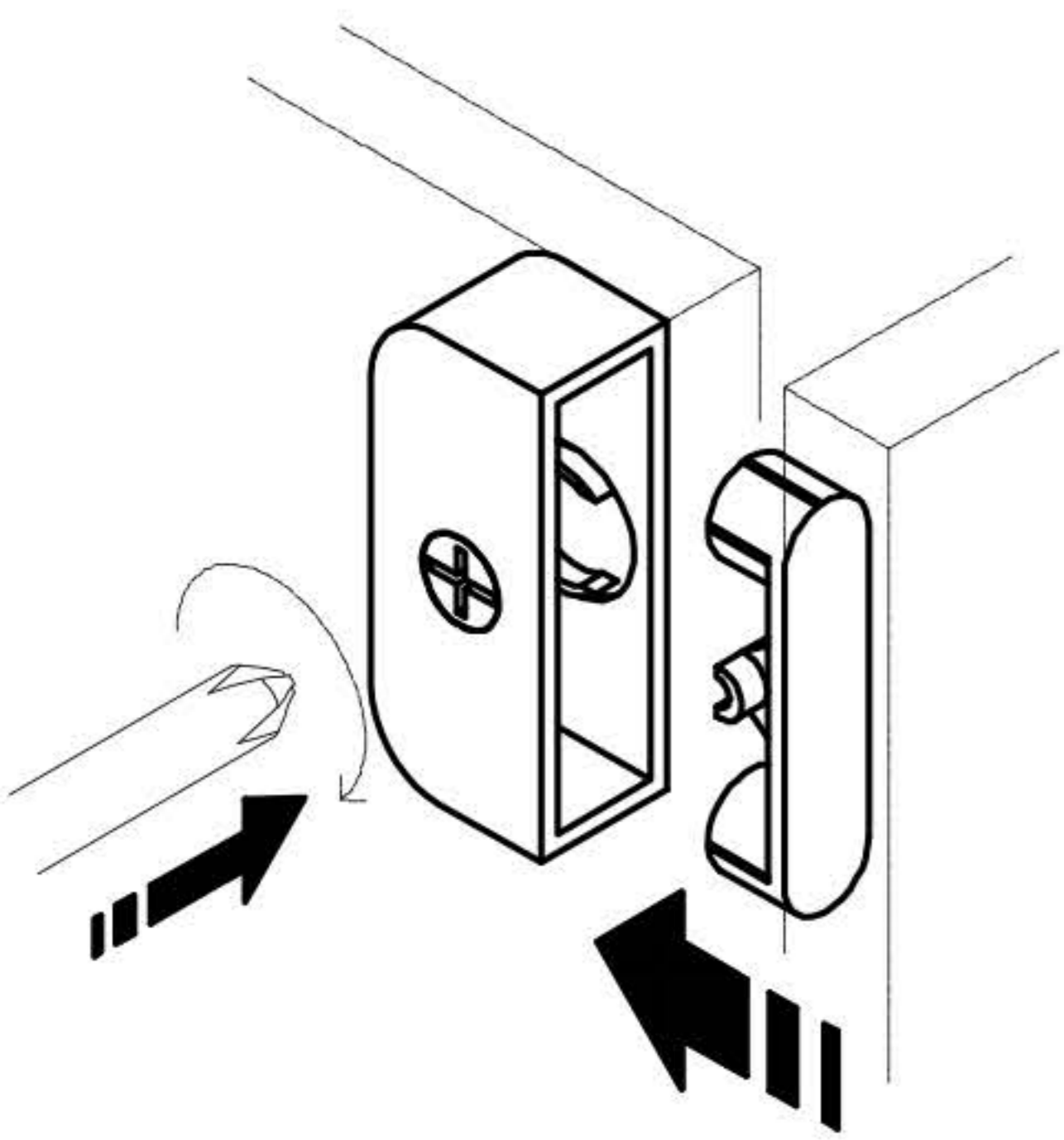
VA3621DR, VA4221DR



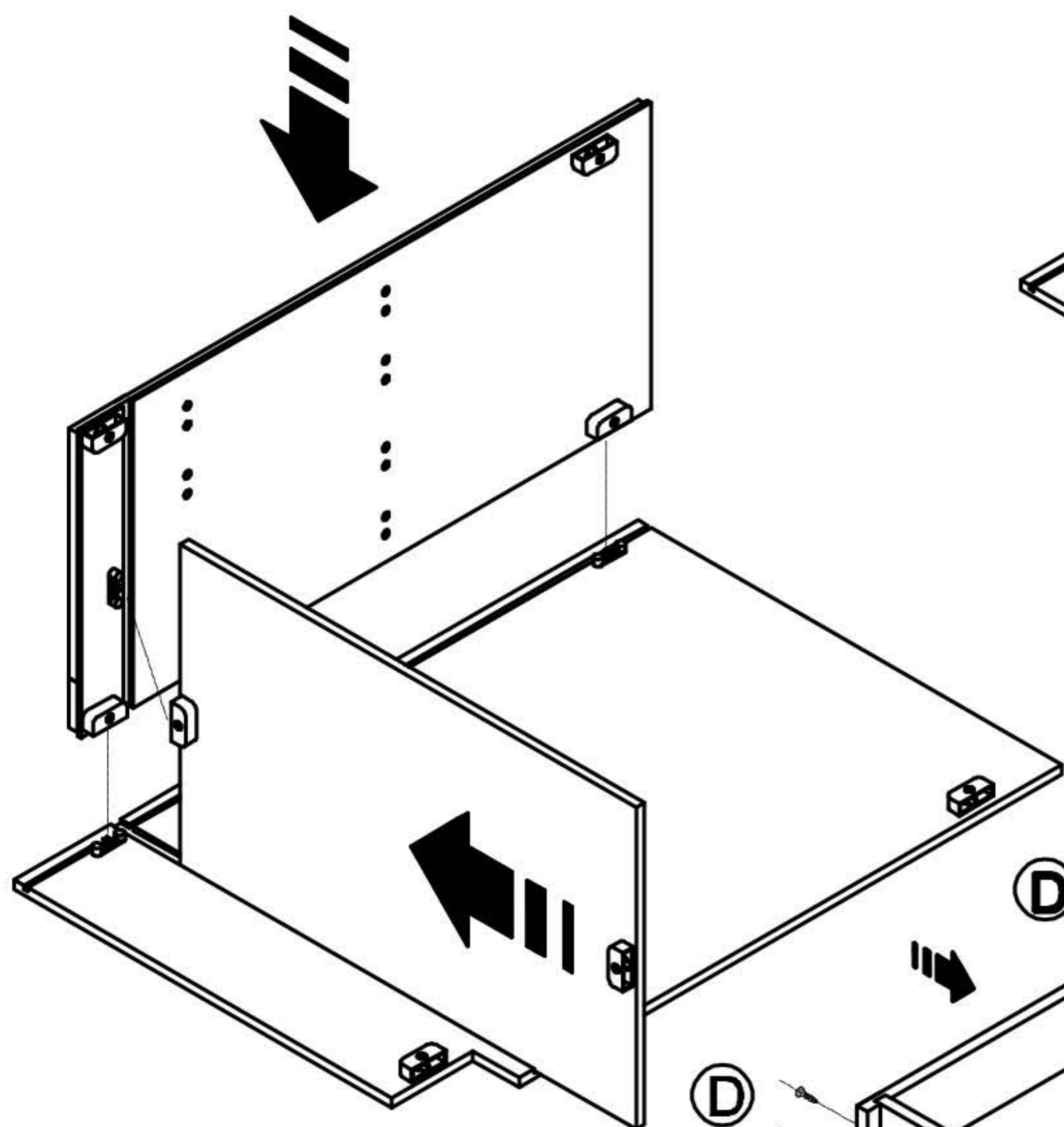
## Mocha Shaker Pg. 19

Code	A	B	C	D	E
Icon	 1 1/2"			 1"	 5/8"
Number	24PS	8PS	8PS	32PS	24PS

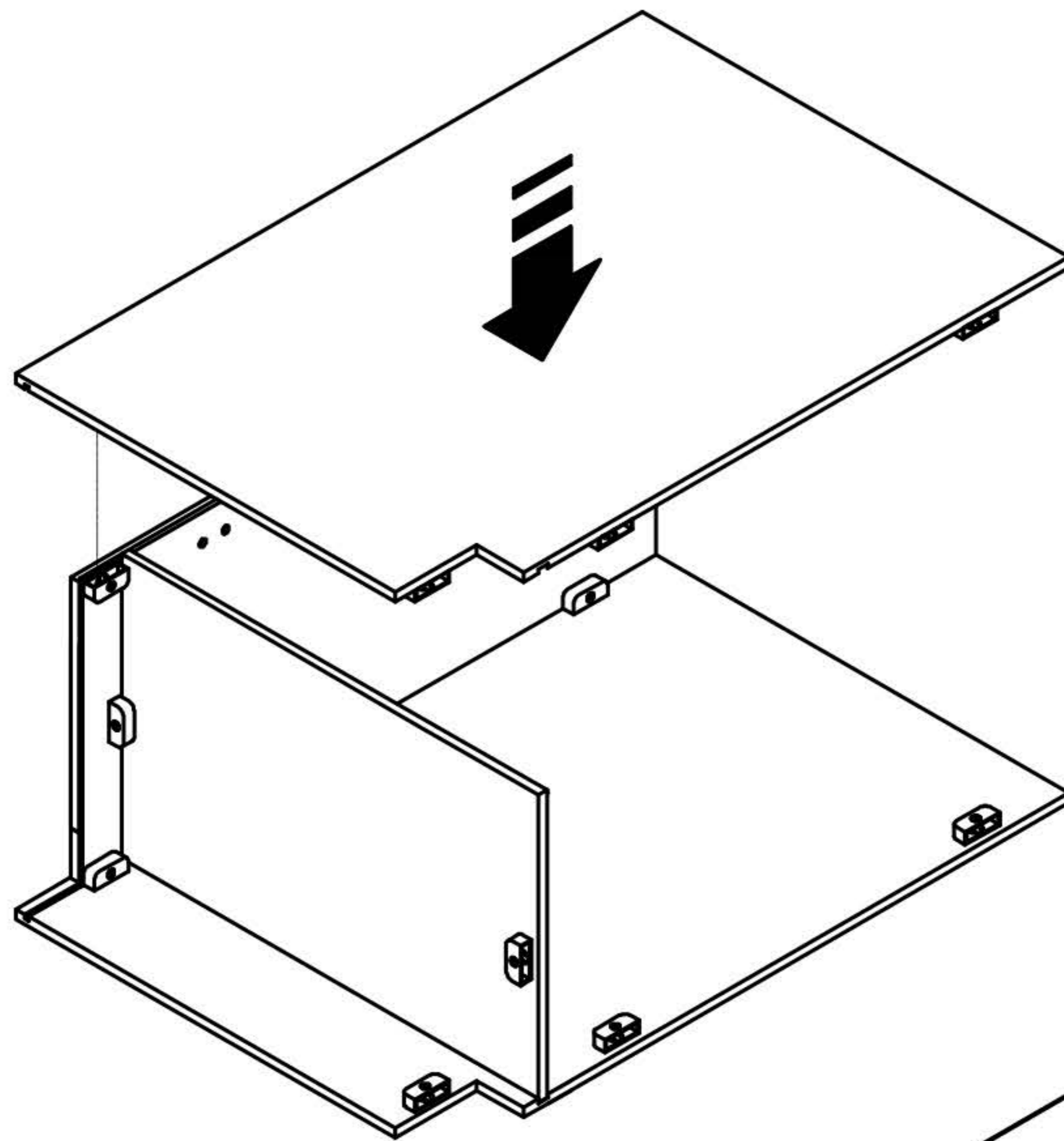
VA4821D, VA6021D



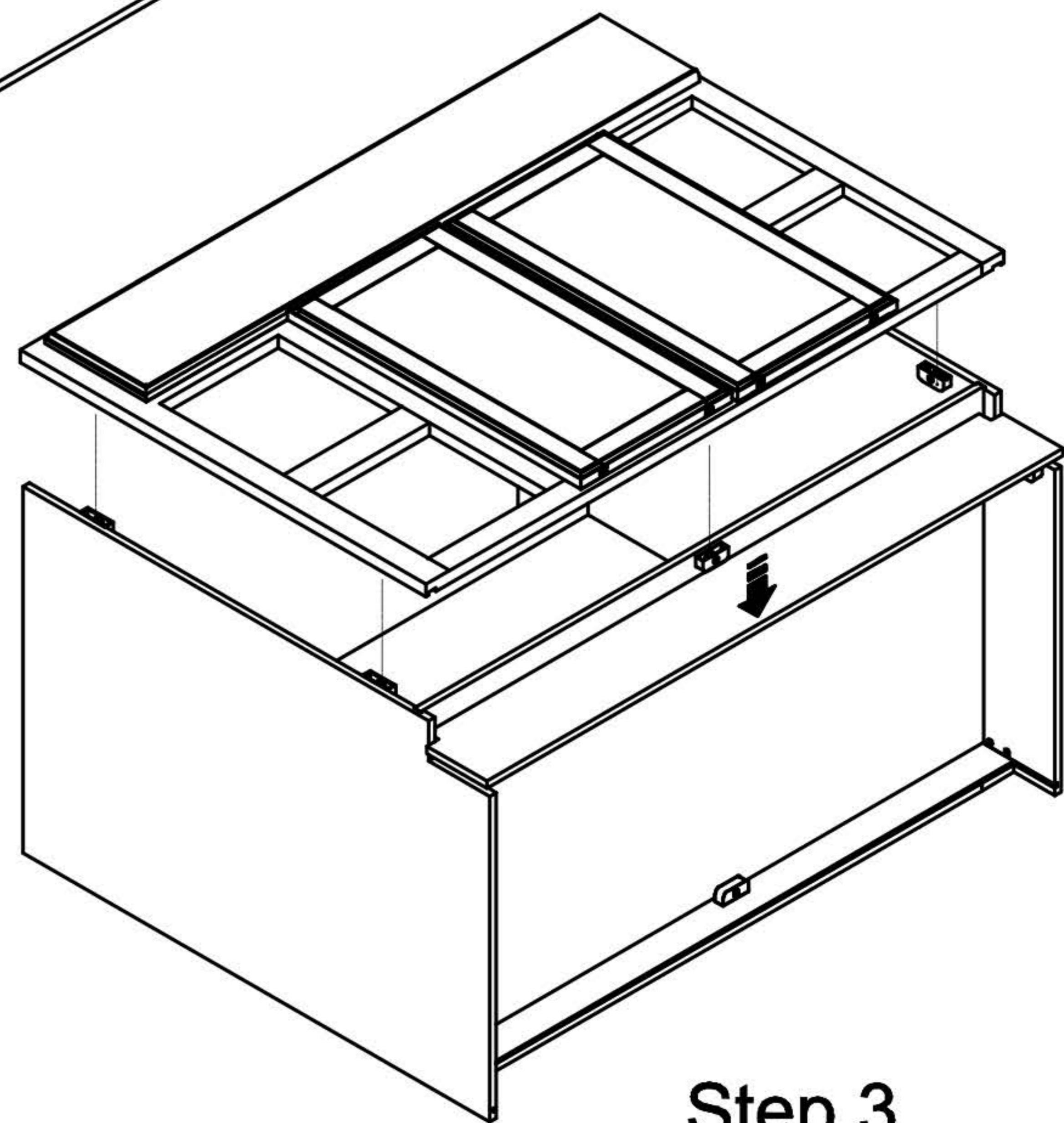
Example



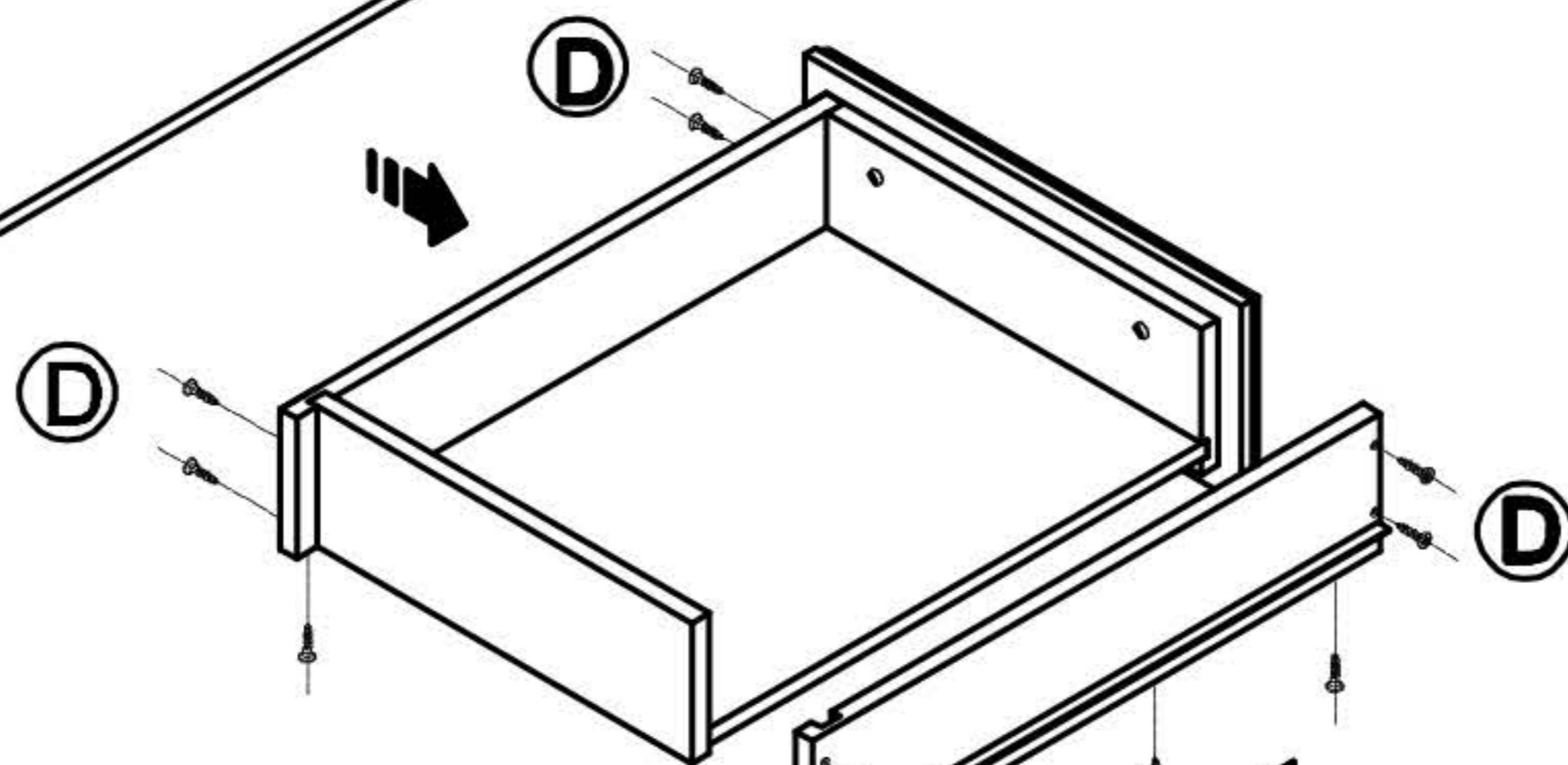
Step 1



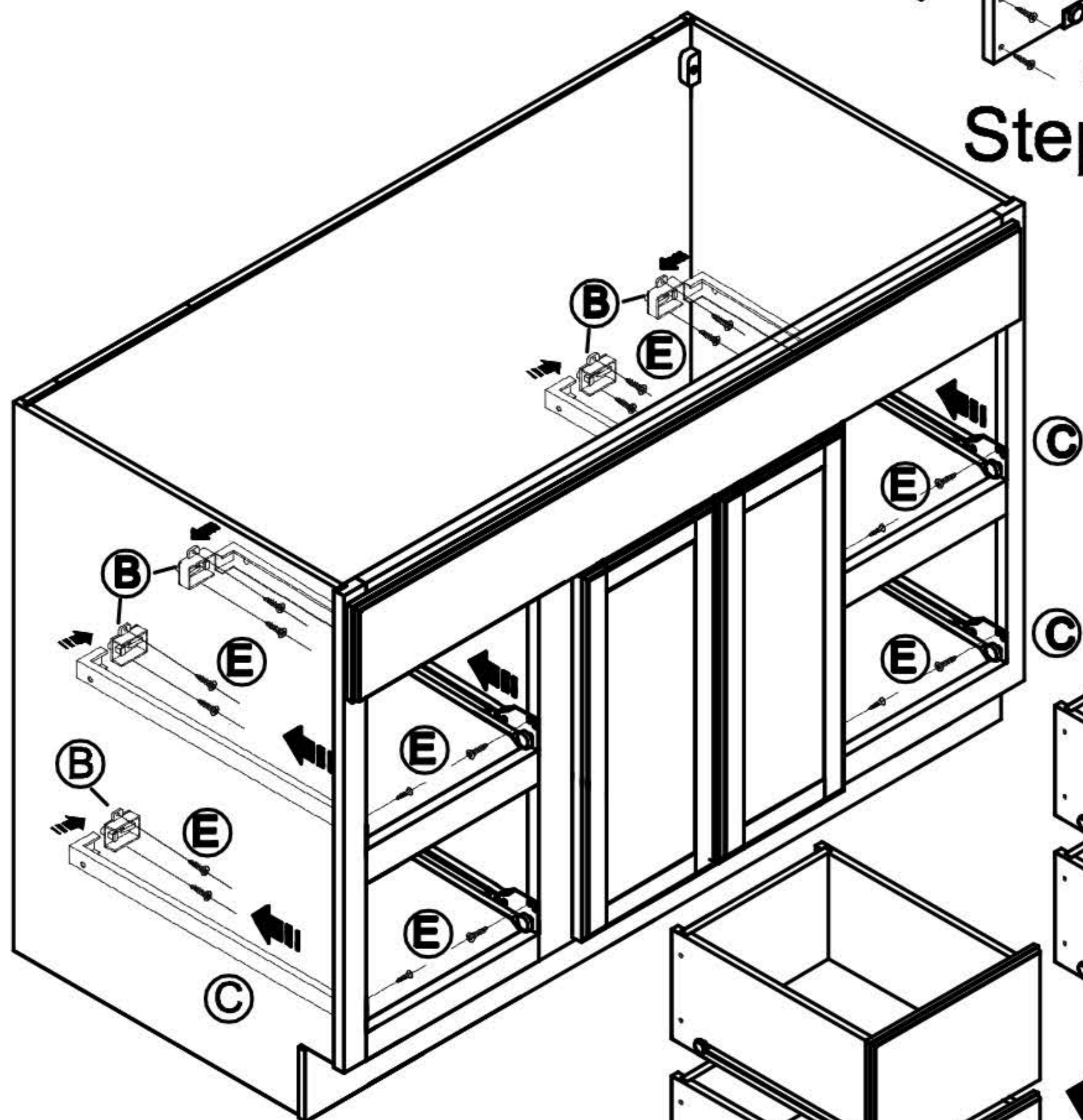
Step 2



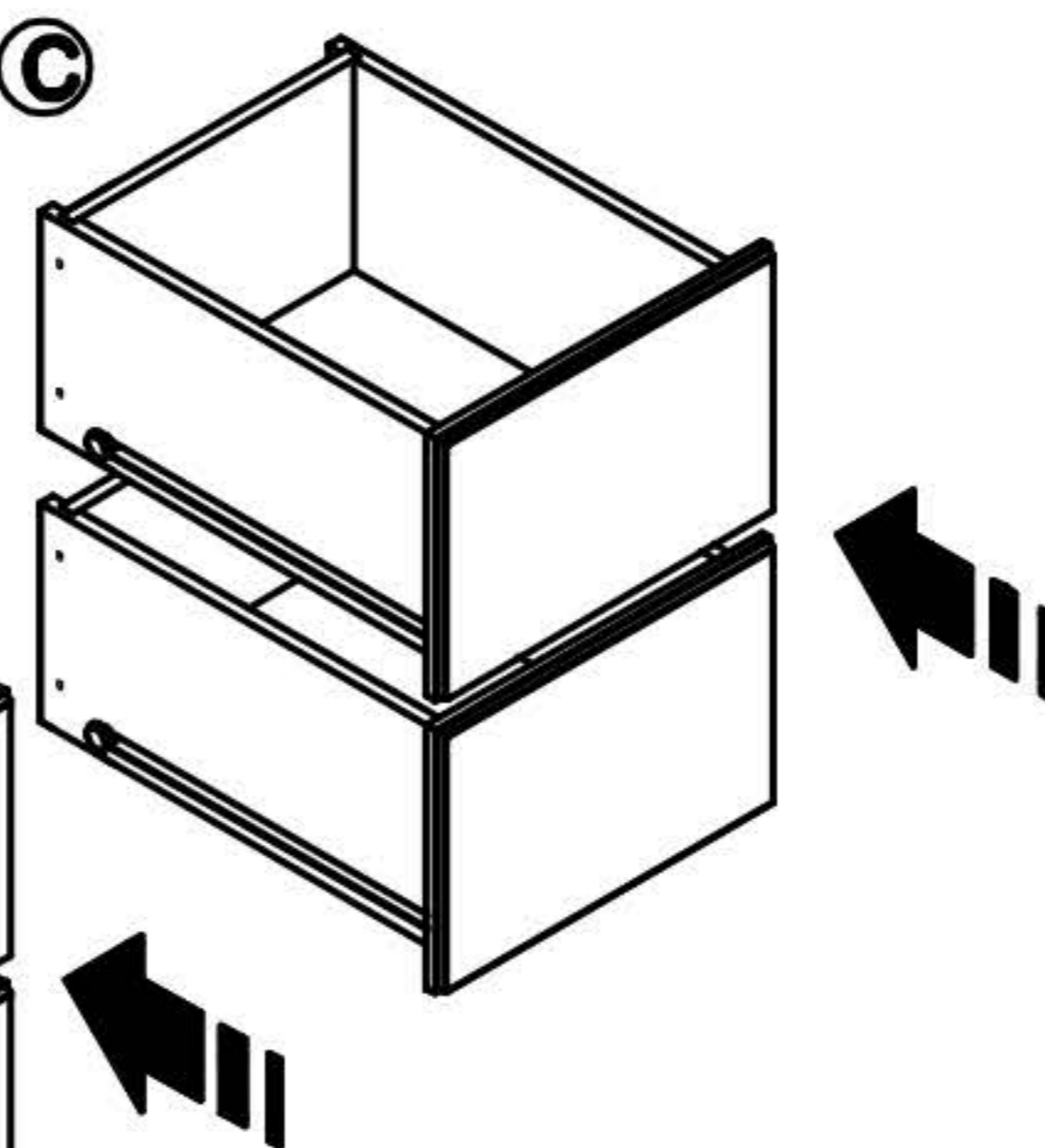
Step 3



Step 4


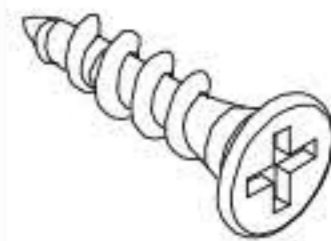
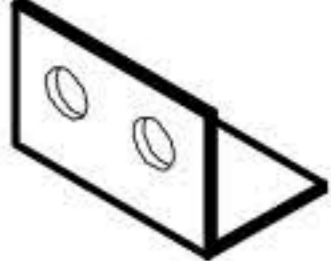


Step 5

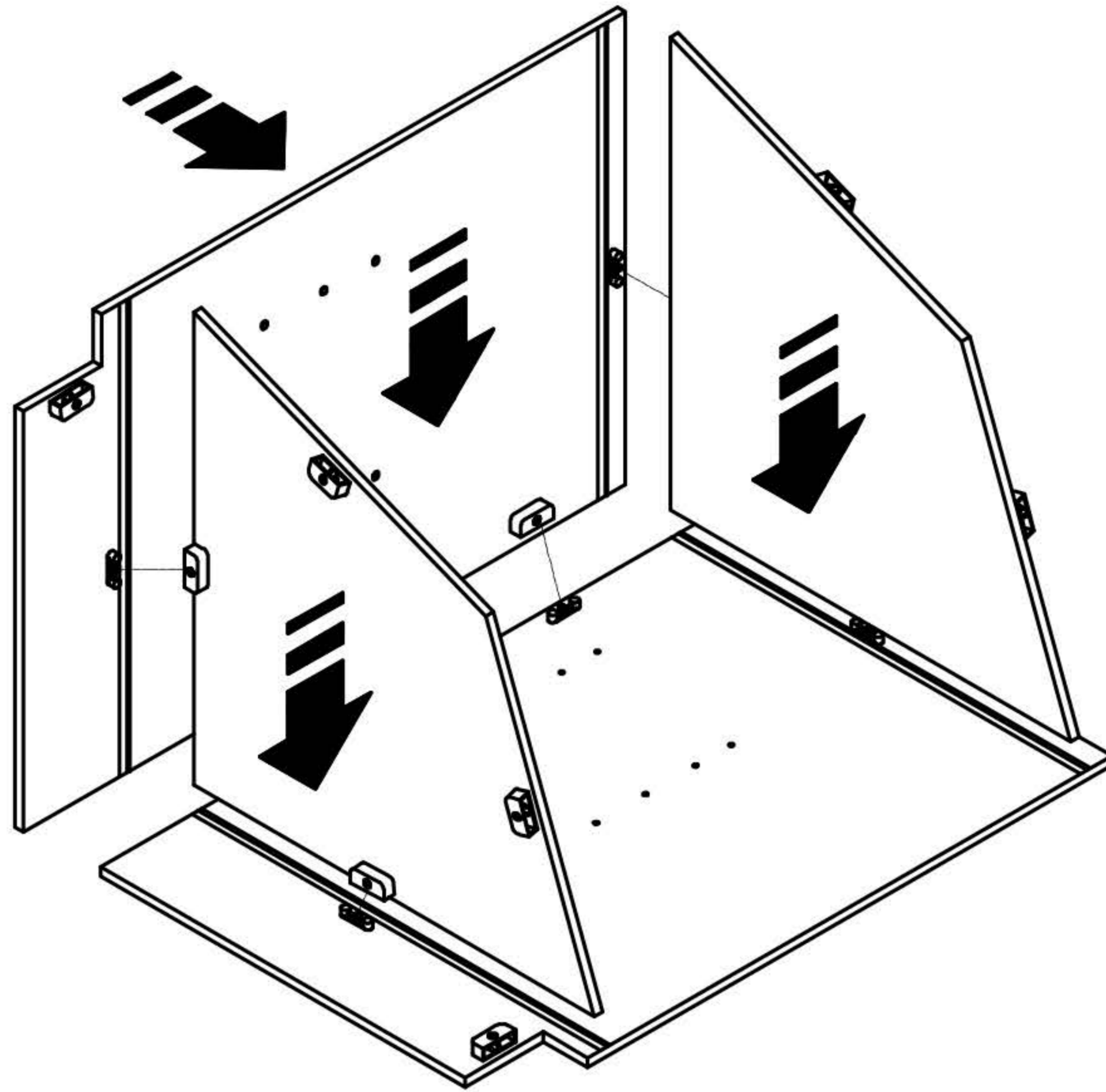
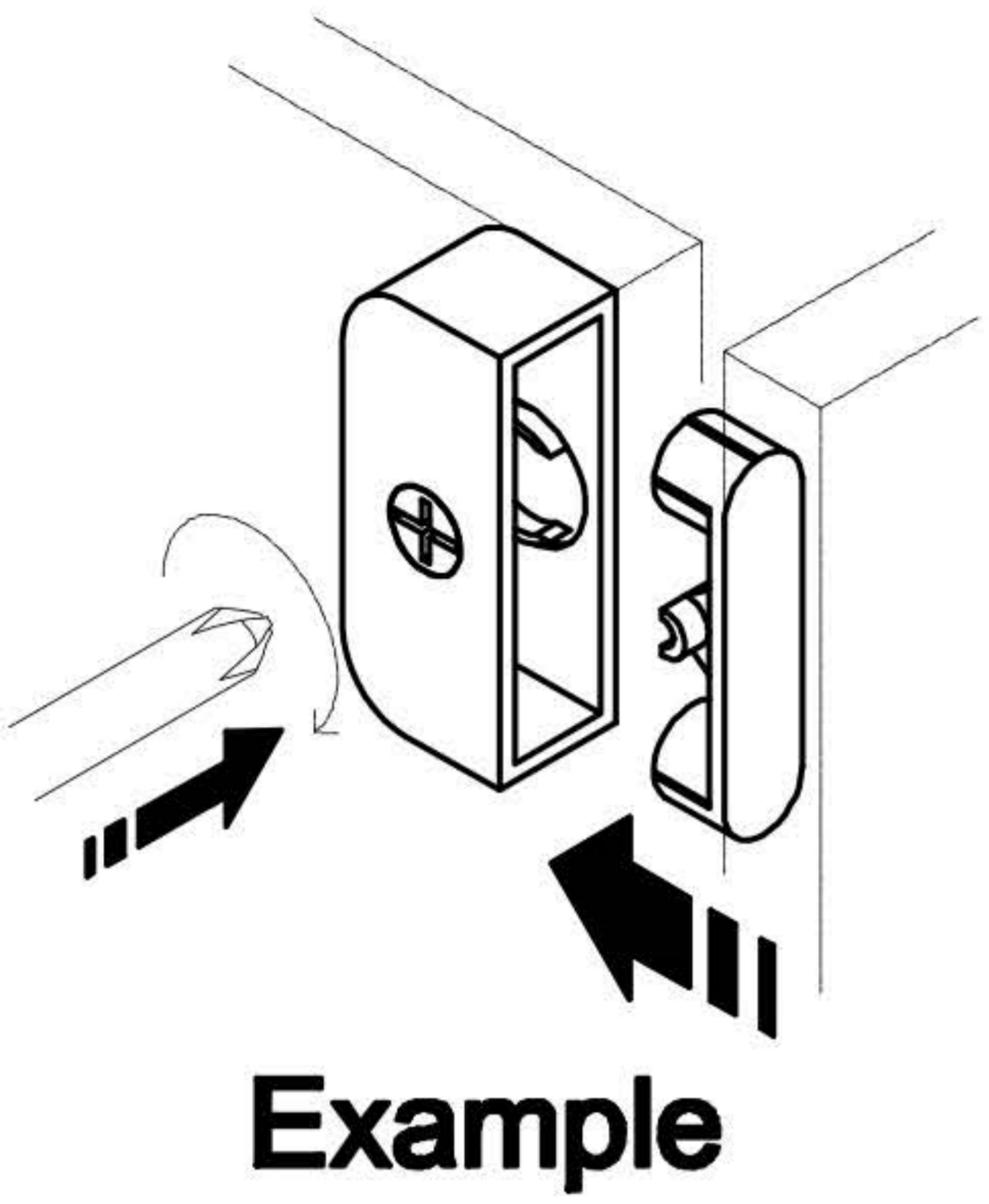


Step 6

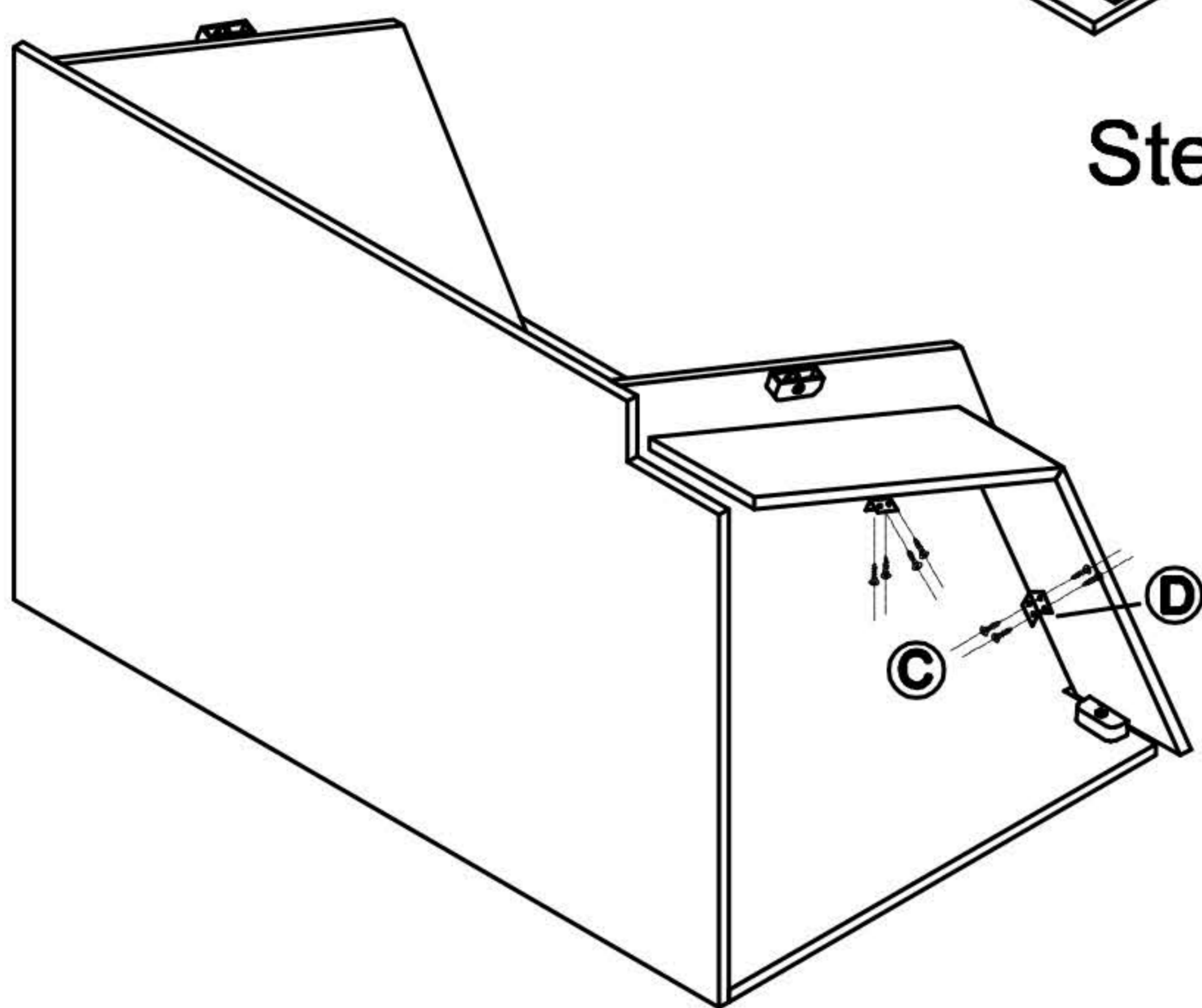
## Mocha Shaker Pg. 20

Code	A	B	C	D
Icon	1"			
Number	5PS	4PS	8PS	2PS

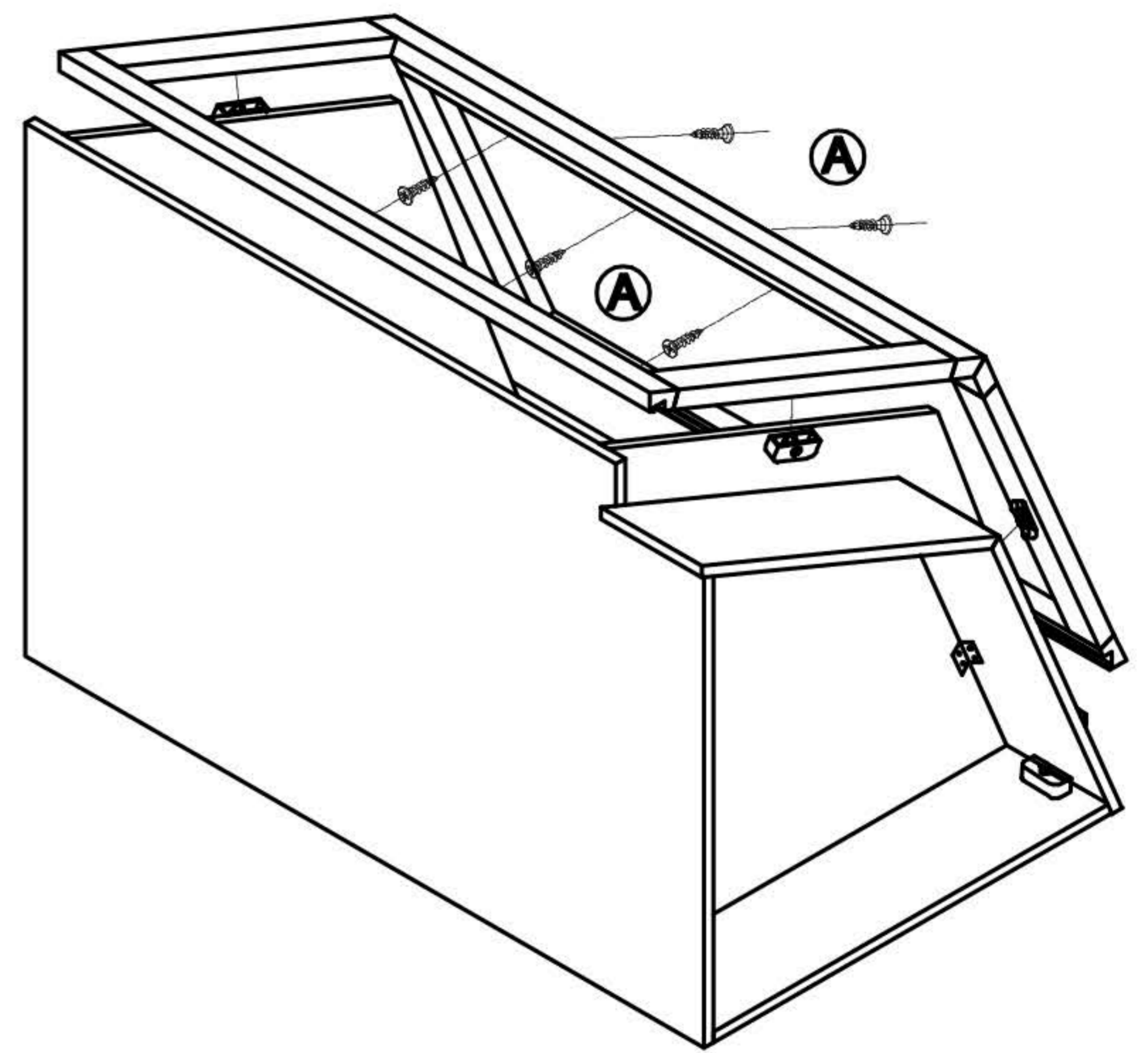
**BEC24**



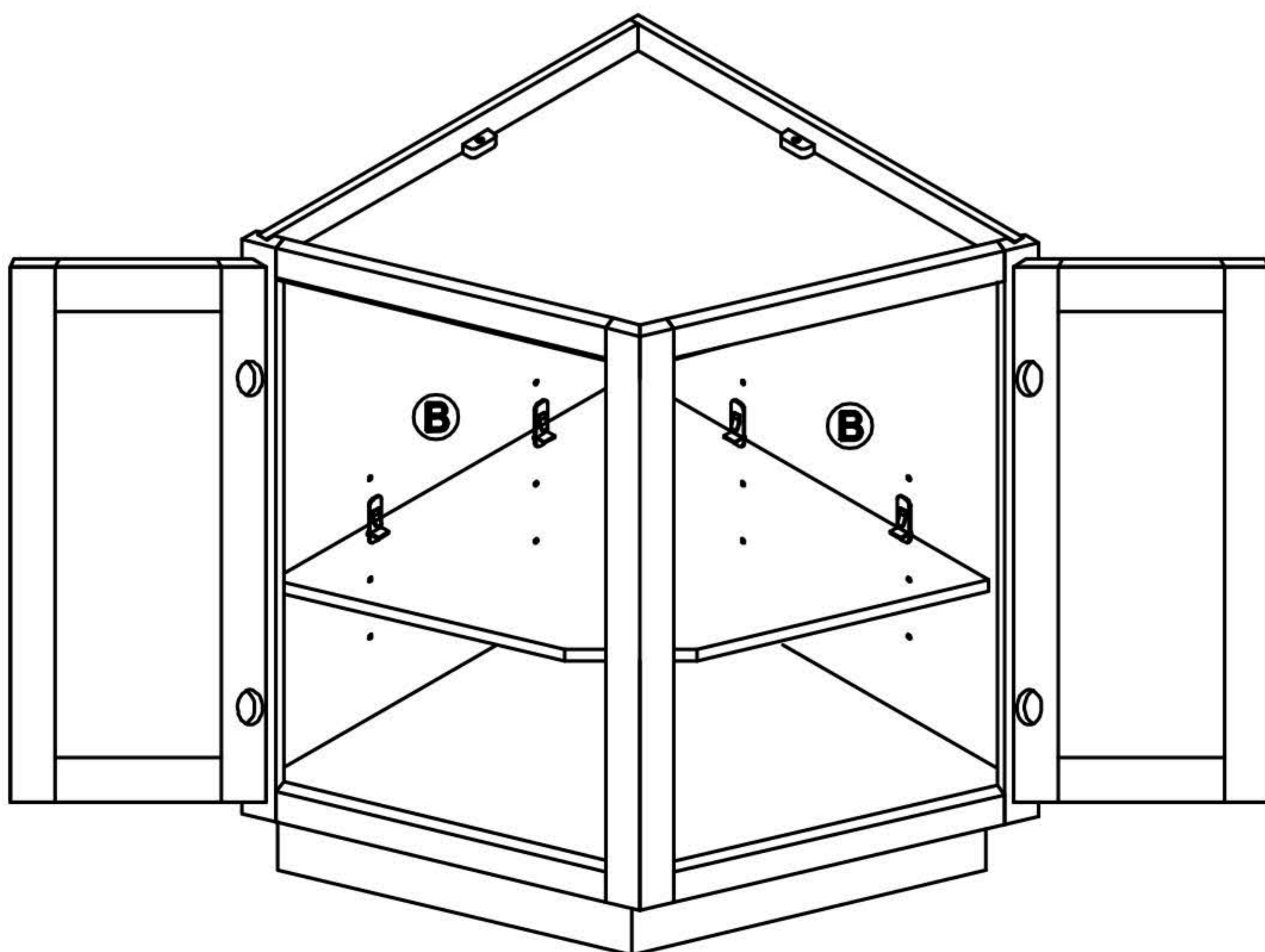
**Step 1**



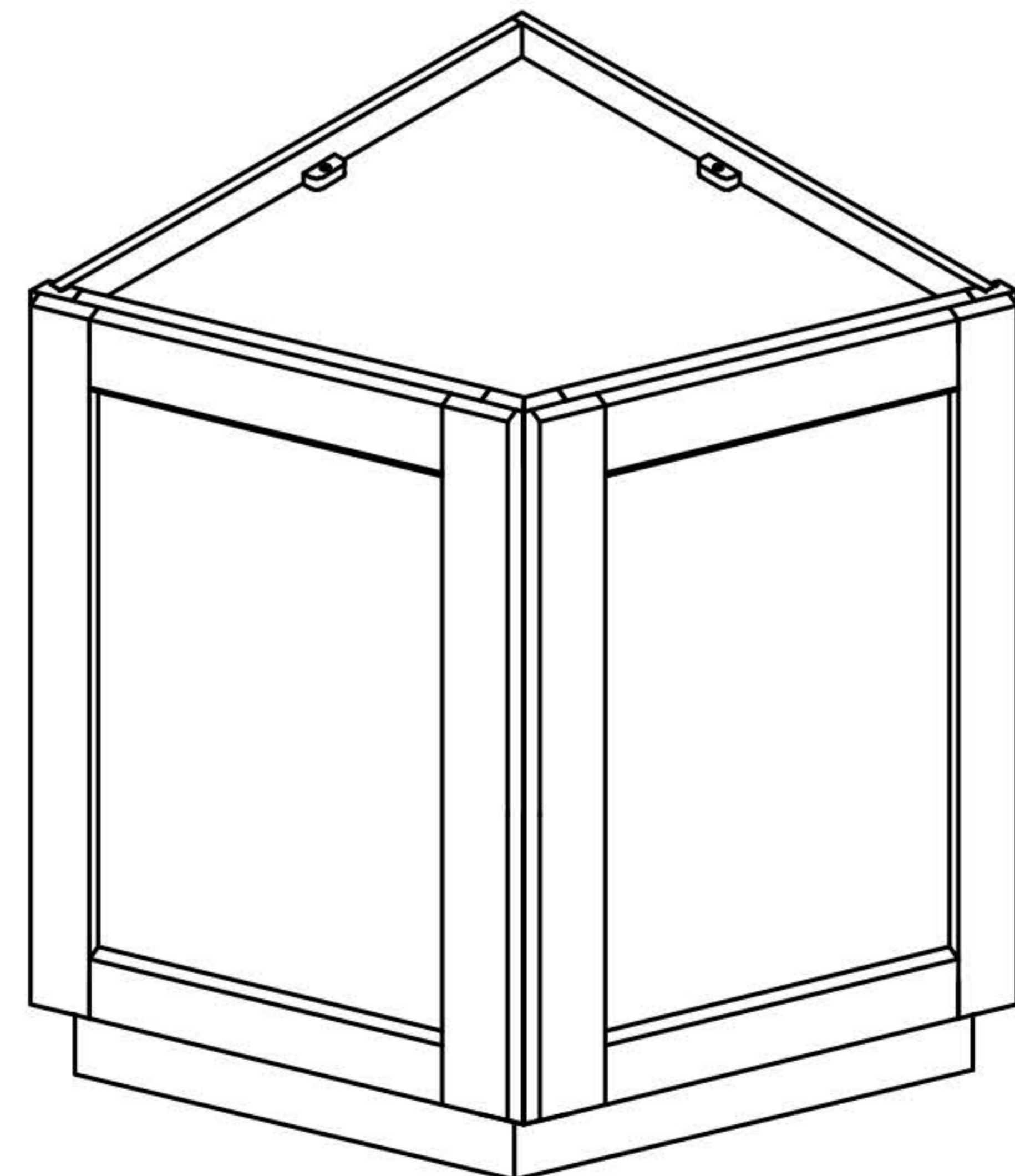
**Step 3**



**Step 4**



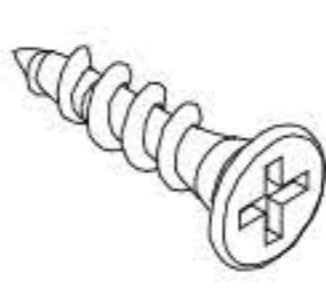
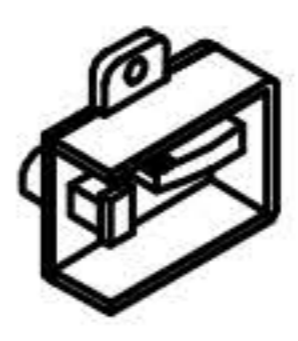
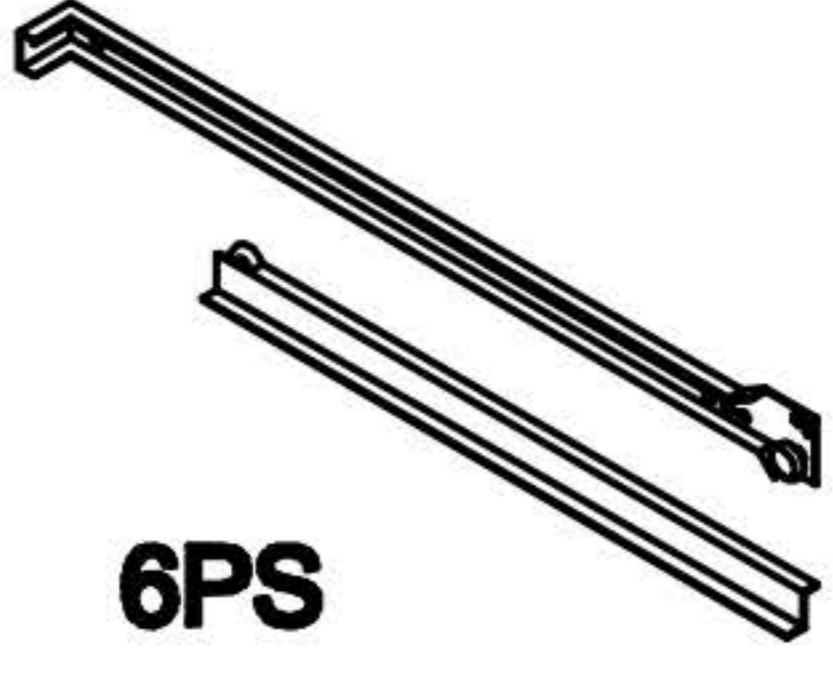

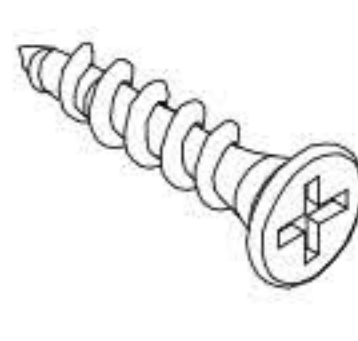
**Step 5**



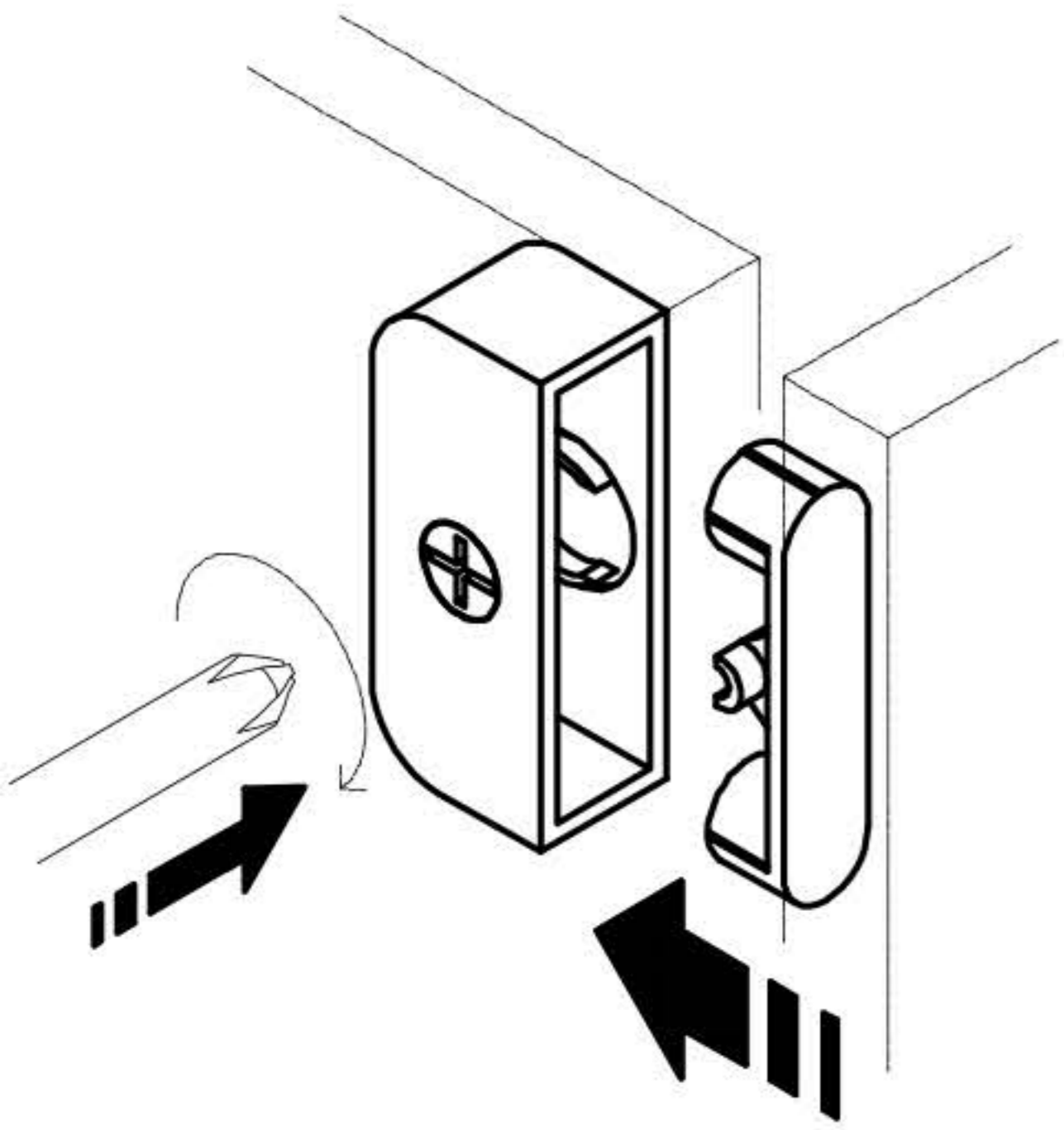
**Step 6**

# LORY CABINETS

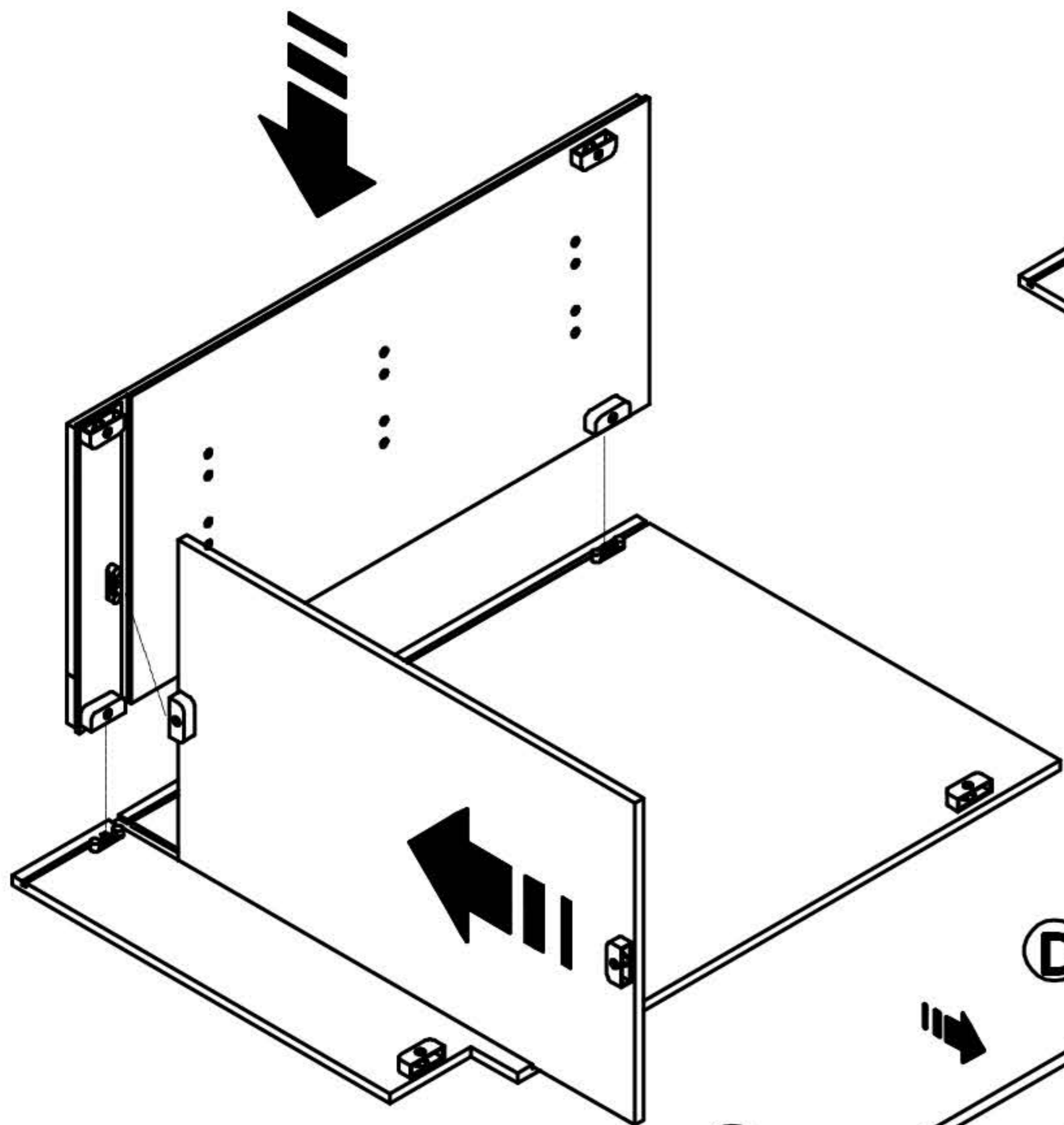
## Mocha Shaker Pg. 21

Code	A	B	C	D	E
Icon				 1"	 5/8"
Number	18PS	6PS	6PS	24PS	18PS

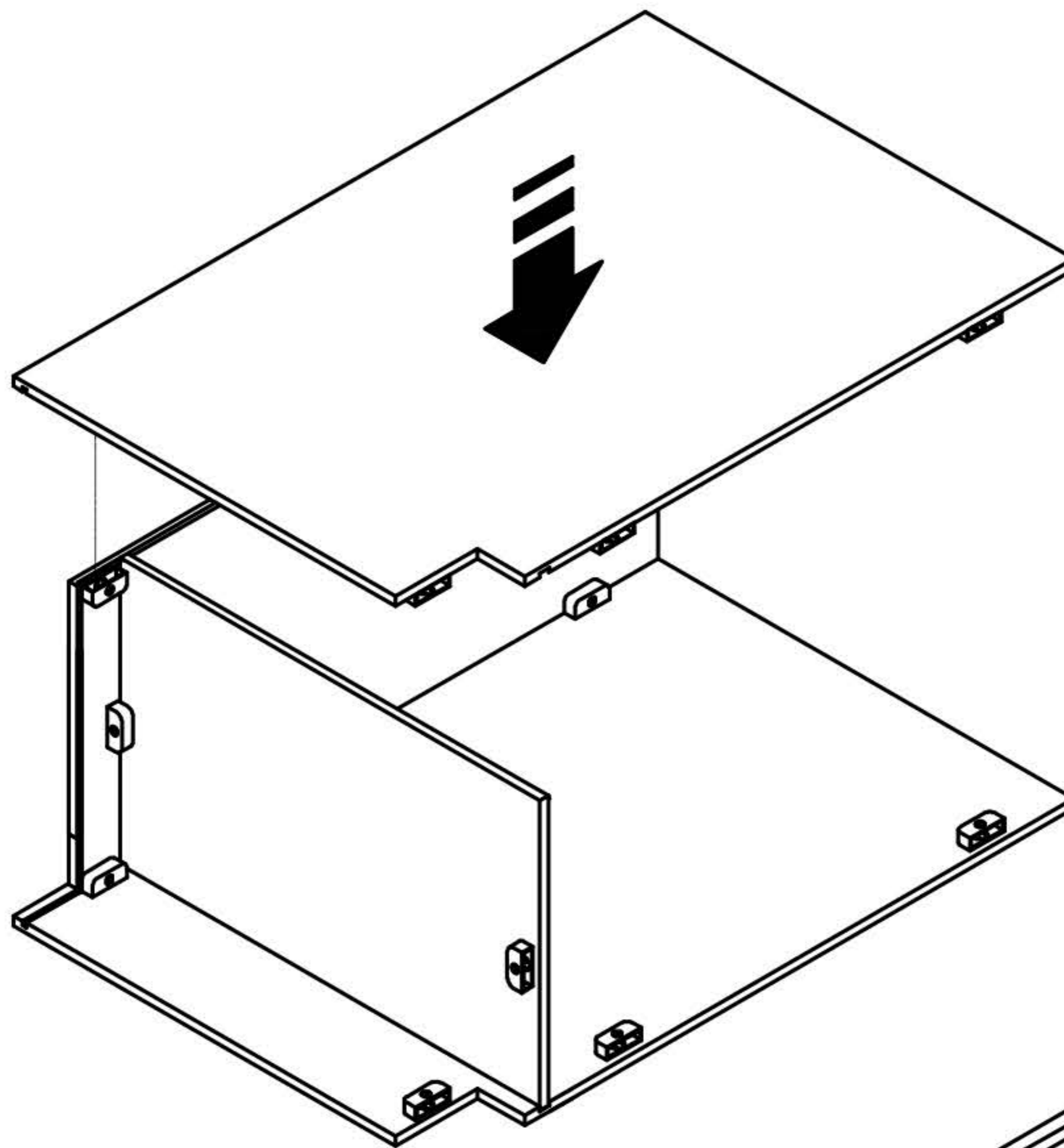
VA6021DD



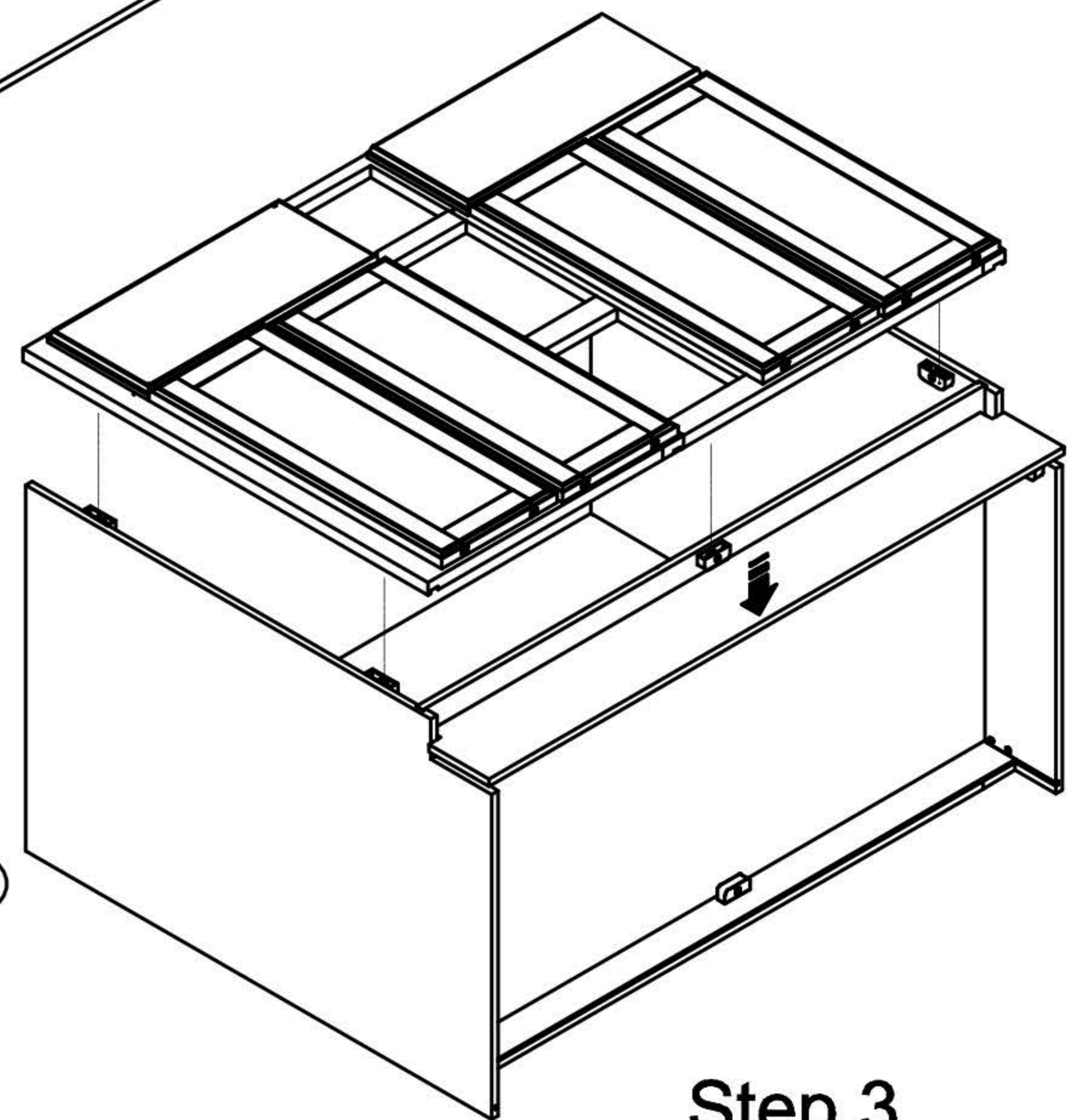
Example



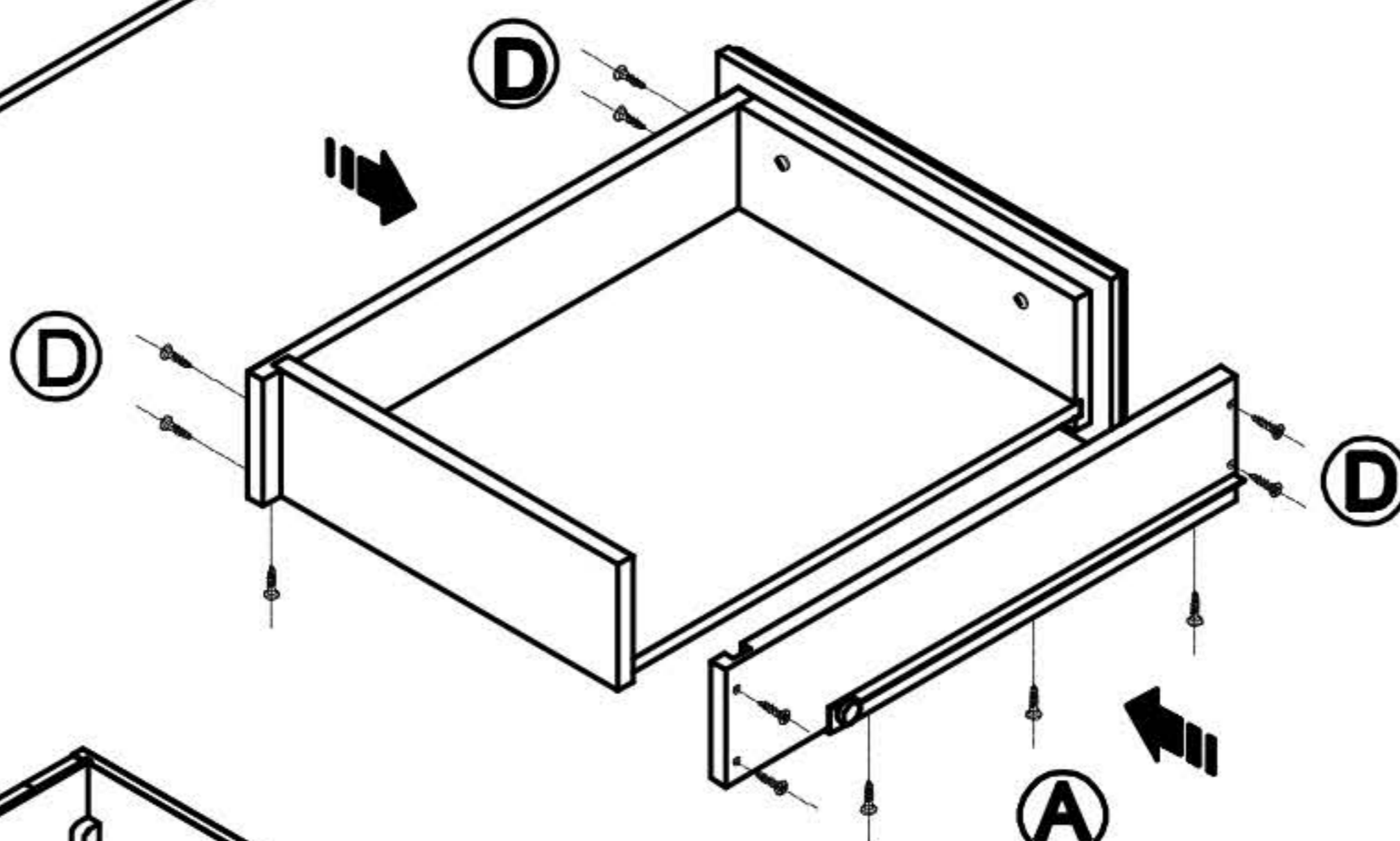
Step 1



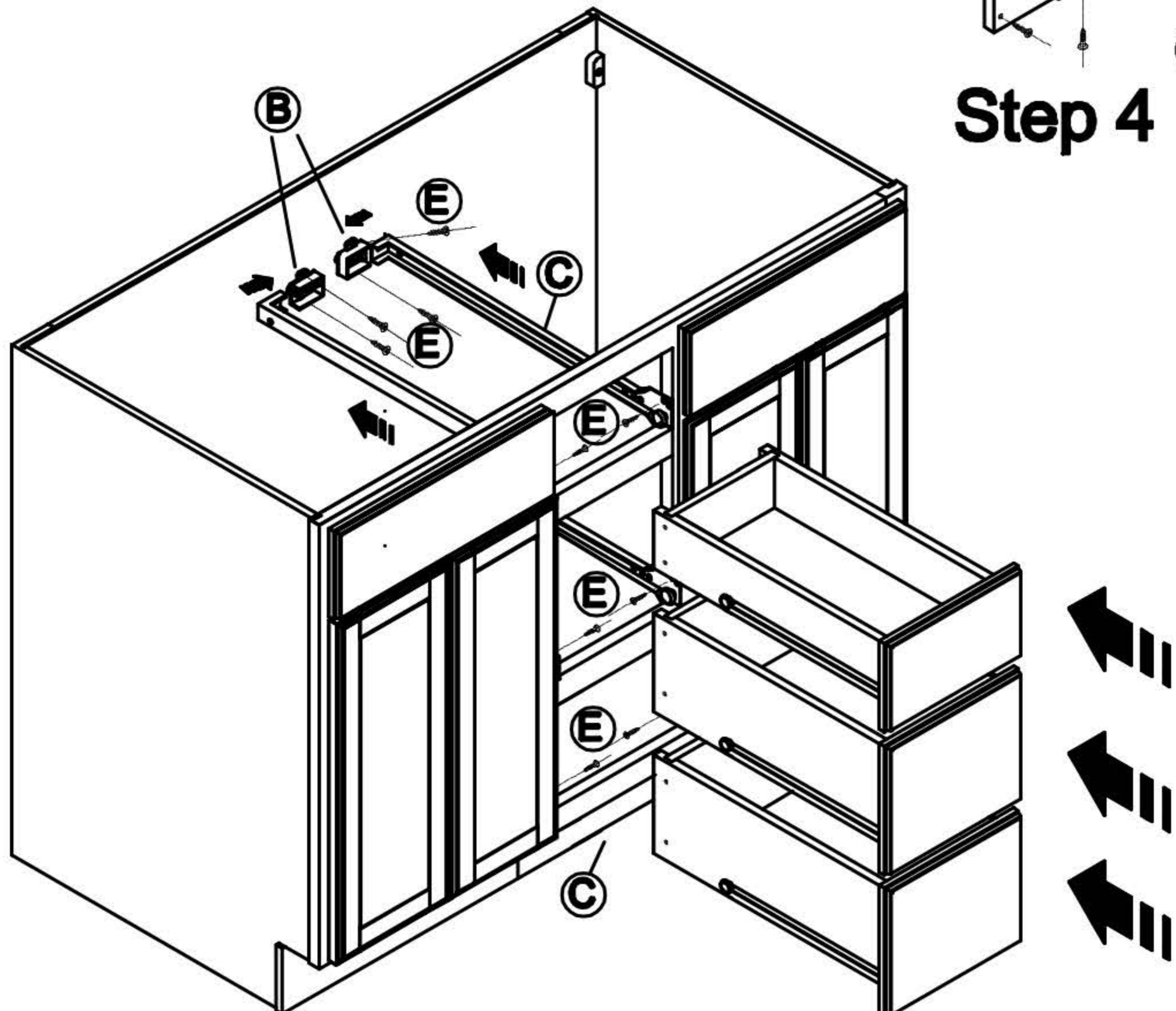
Step 2



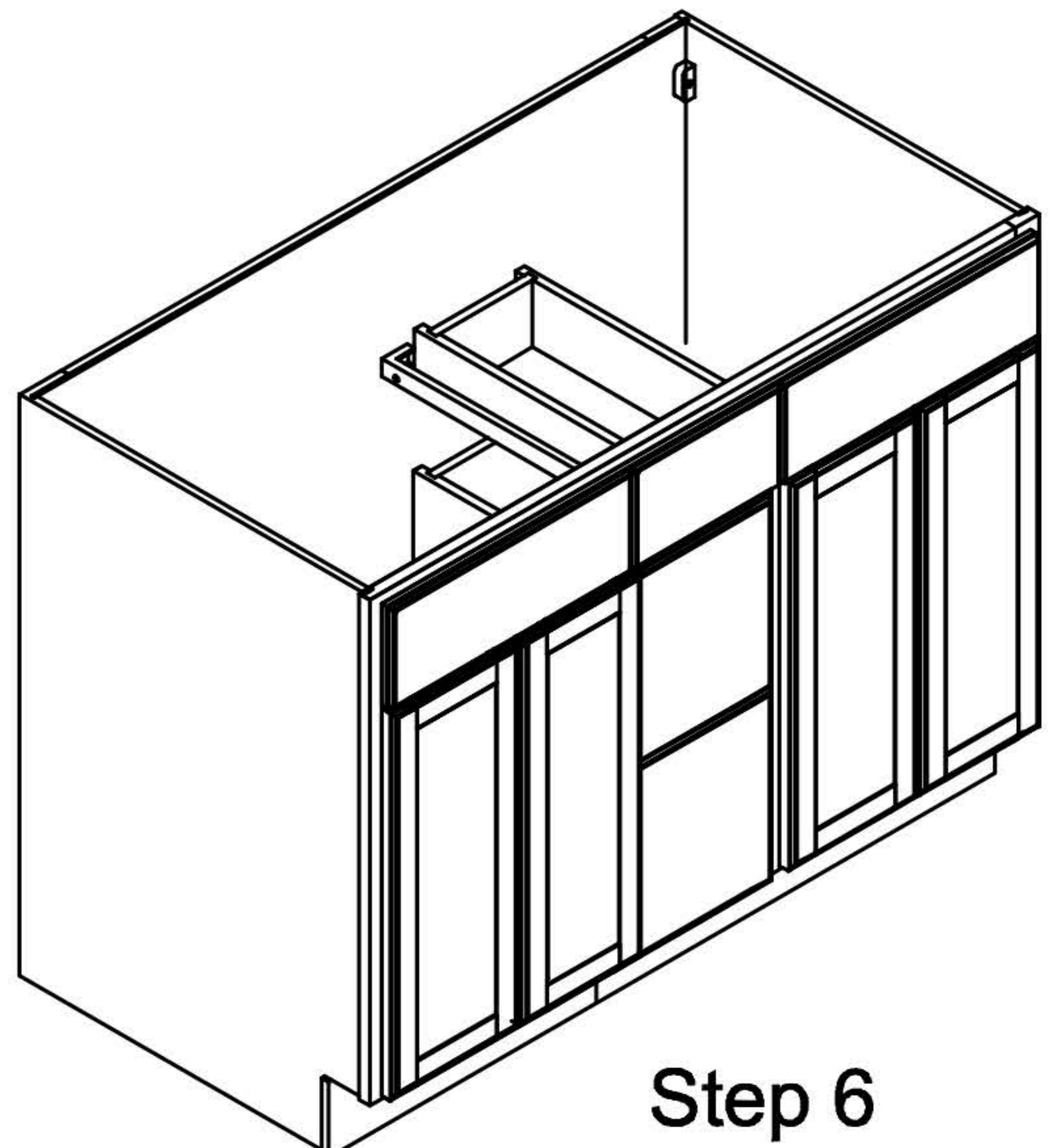
Step 3



Step 4



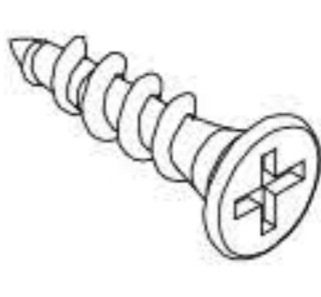
Step 5



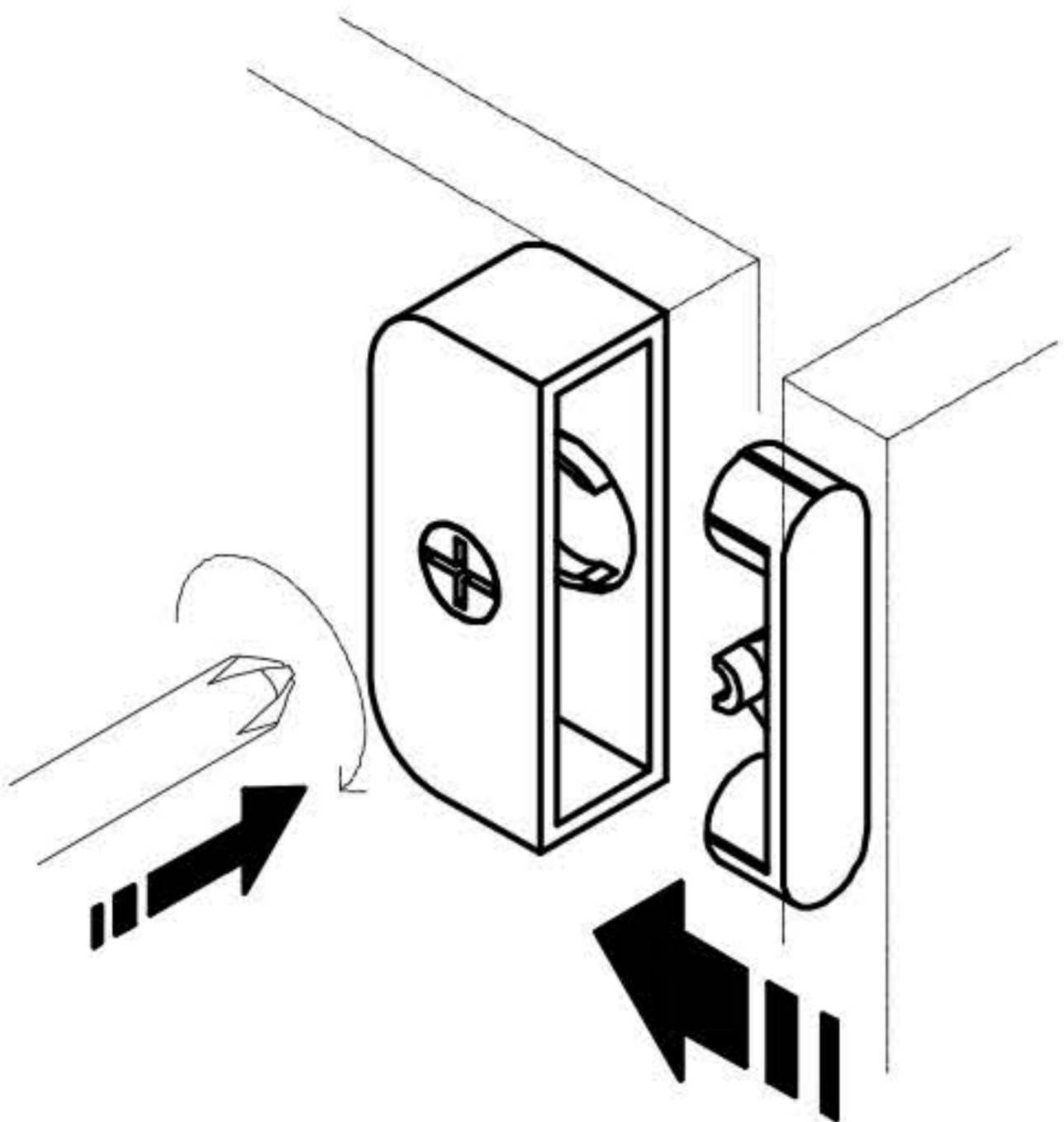
Step 6

# LORY CABINETS

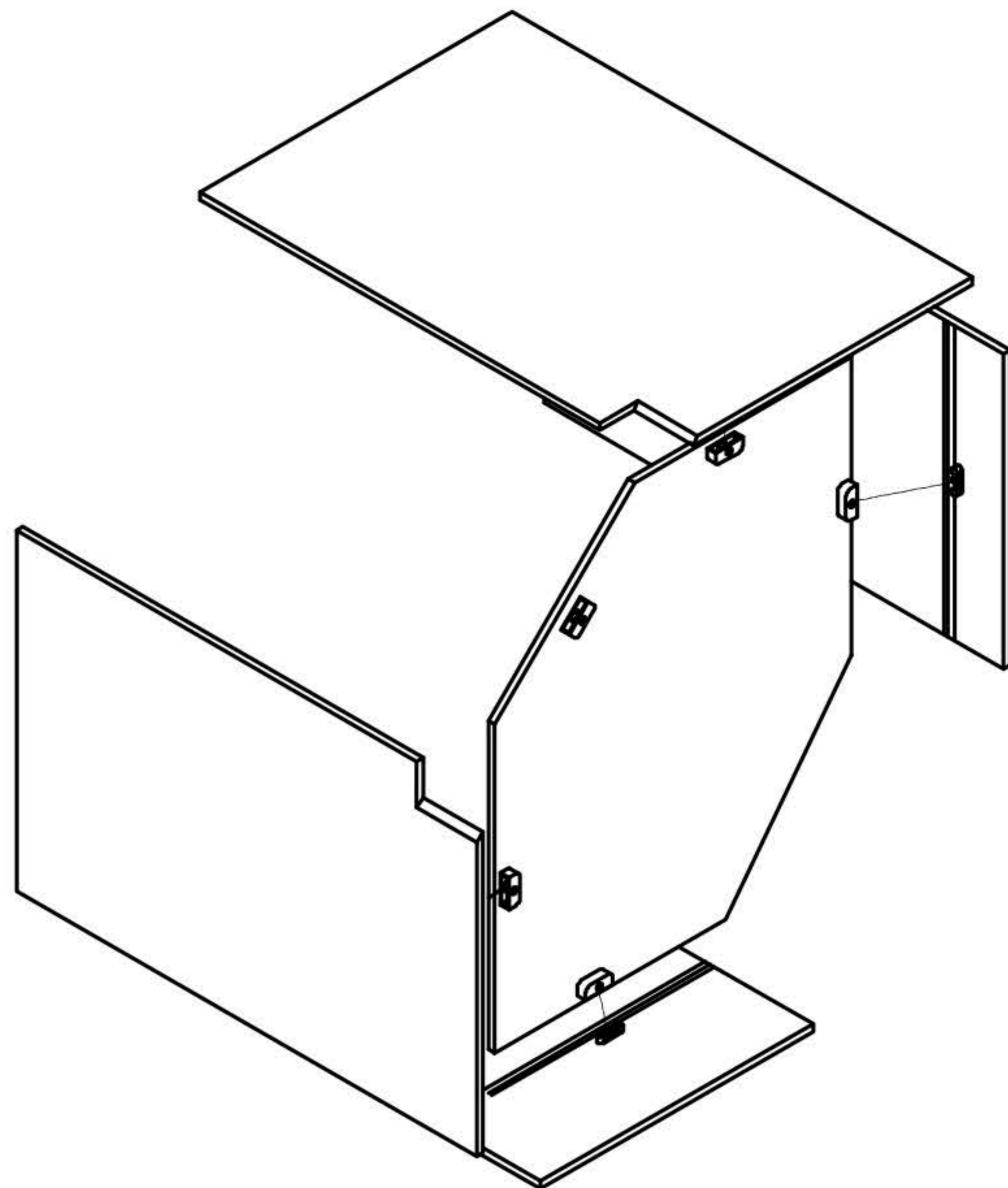
## Mocha Shaker Pg. 22

Code	A
Icon	
Number	4PS

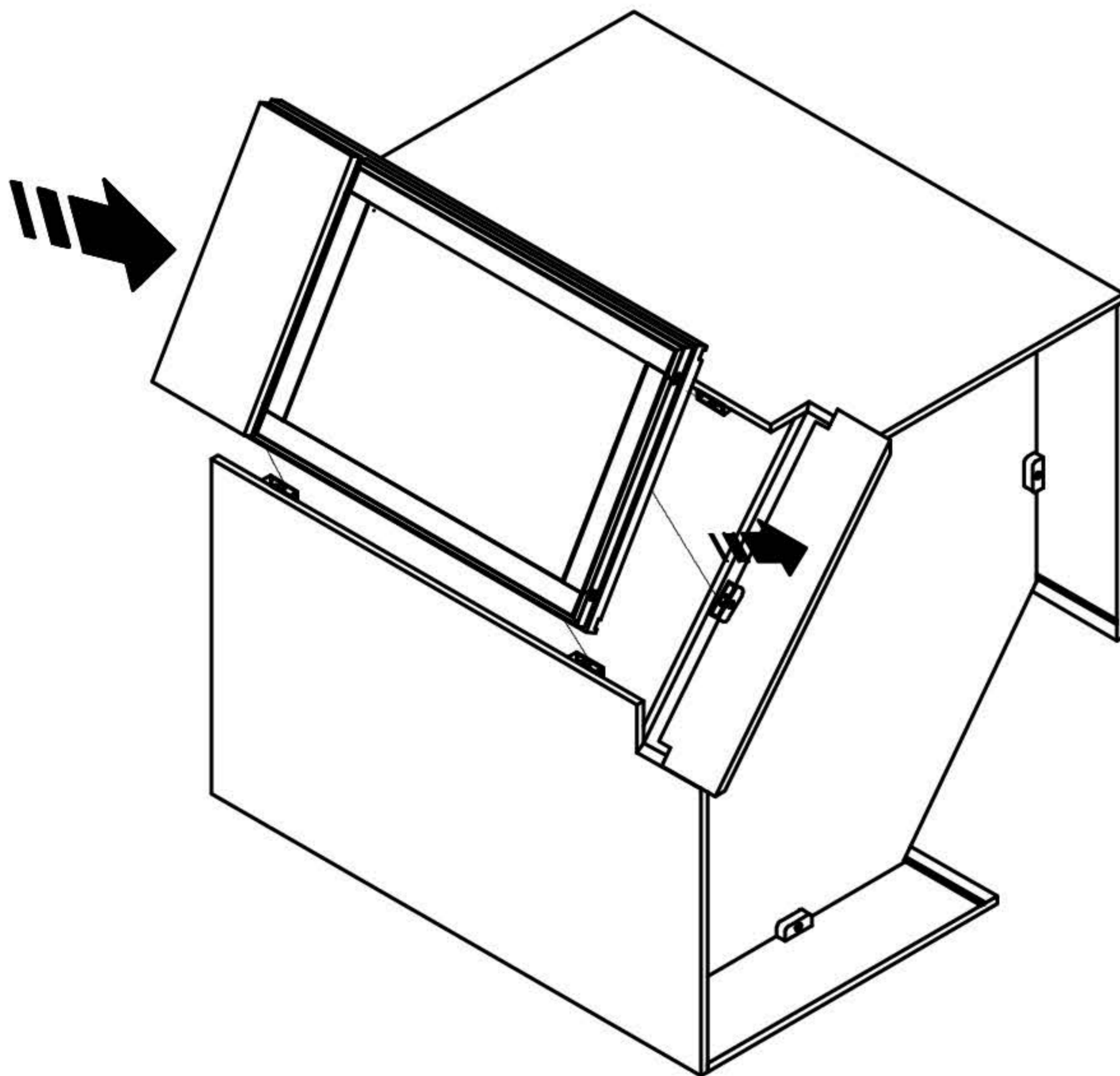
**NCSB36**



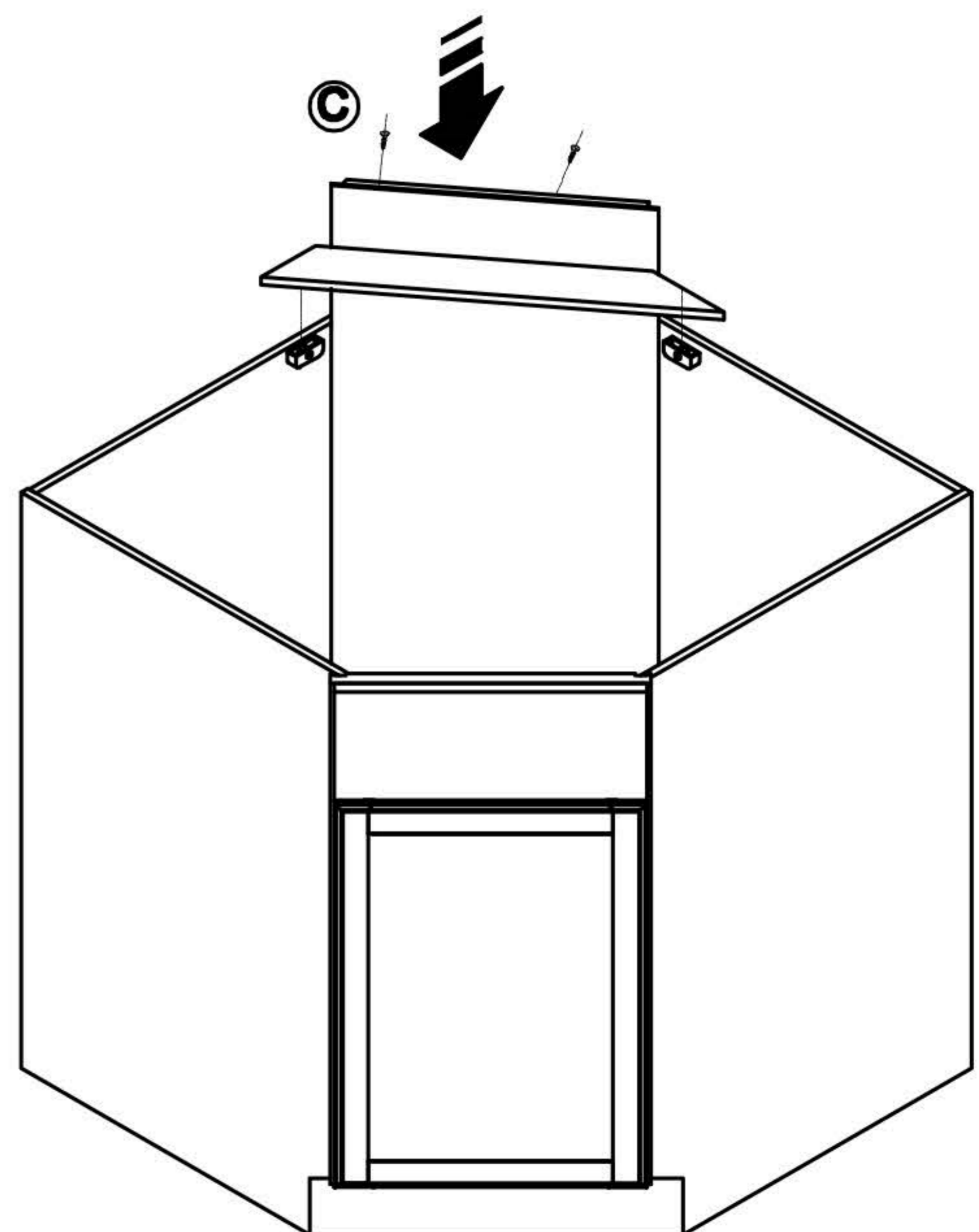
**Example**



**Step 1**



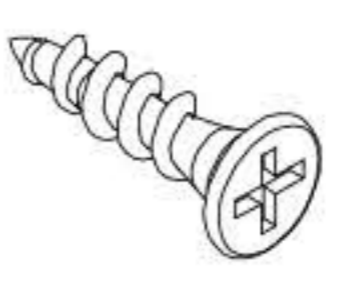
**Step 2**



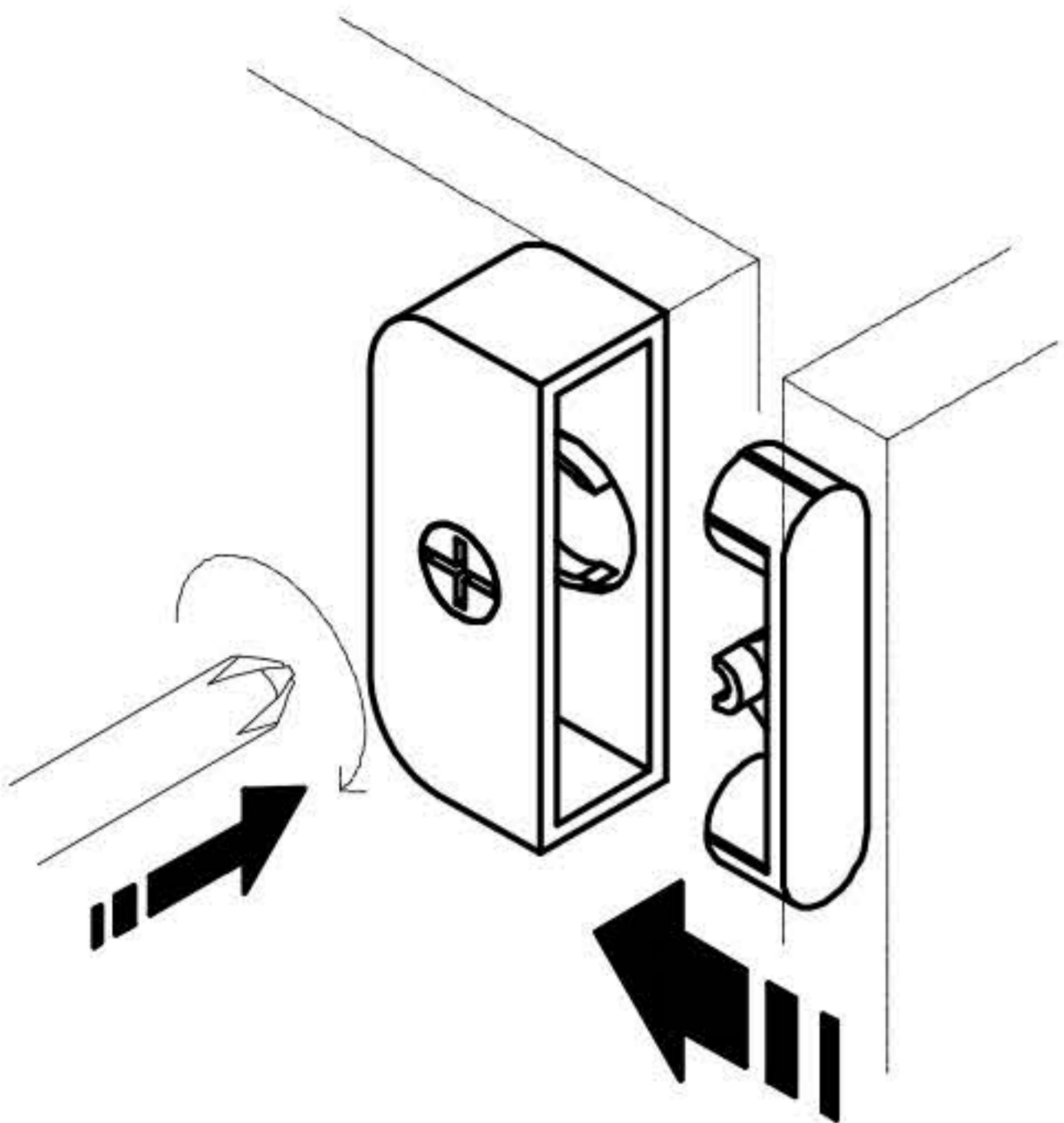
**Step 3**

# LORY CABINETS

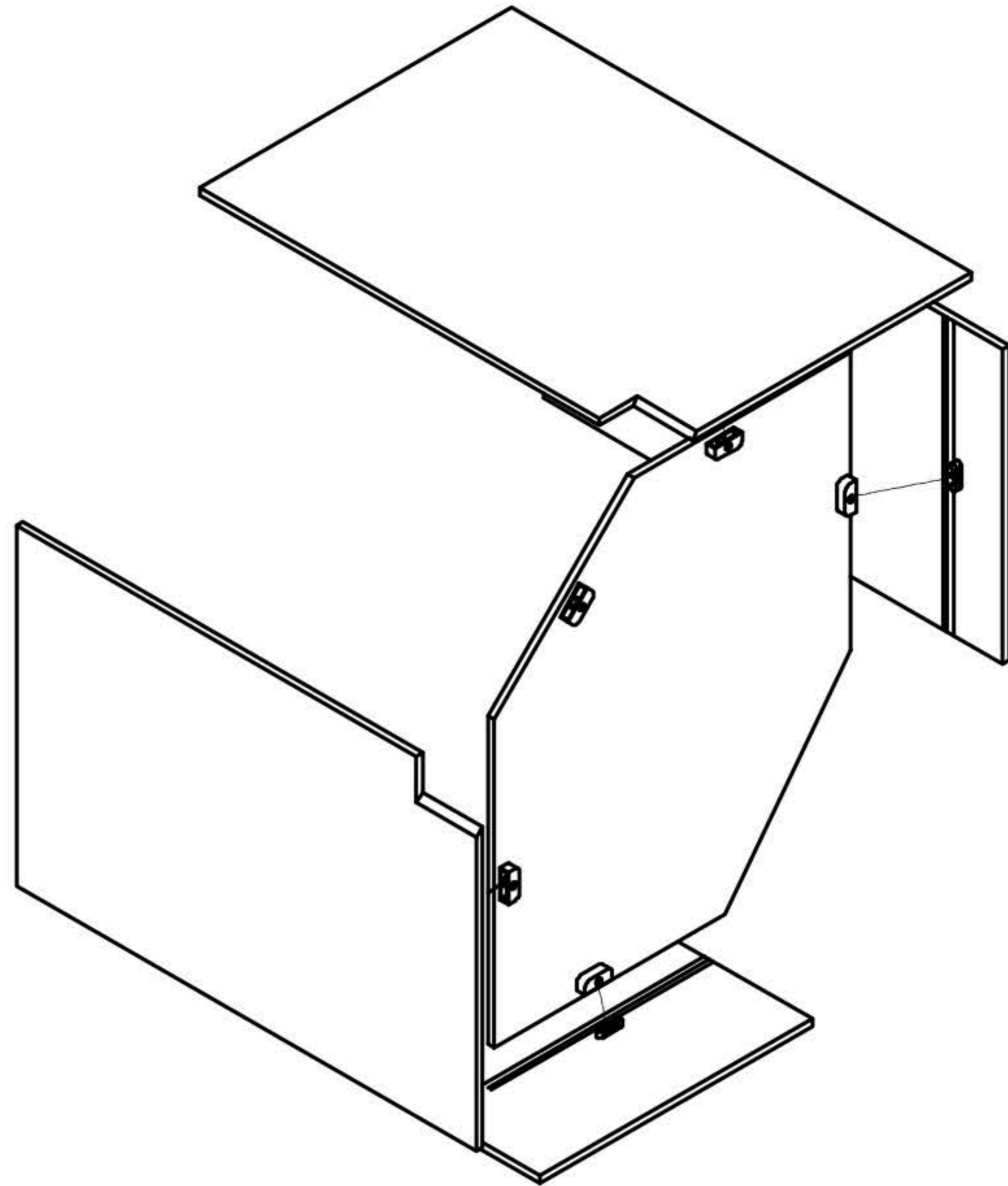
## Mocha Shaker Pg. 23

Code	A
Icon	
Number	4PS

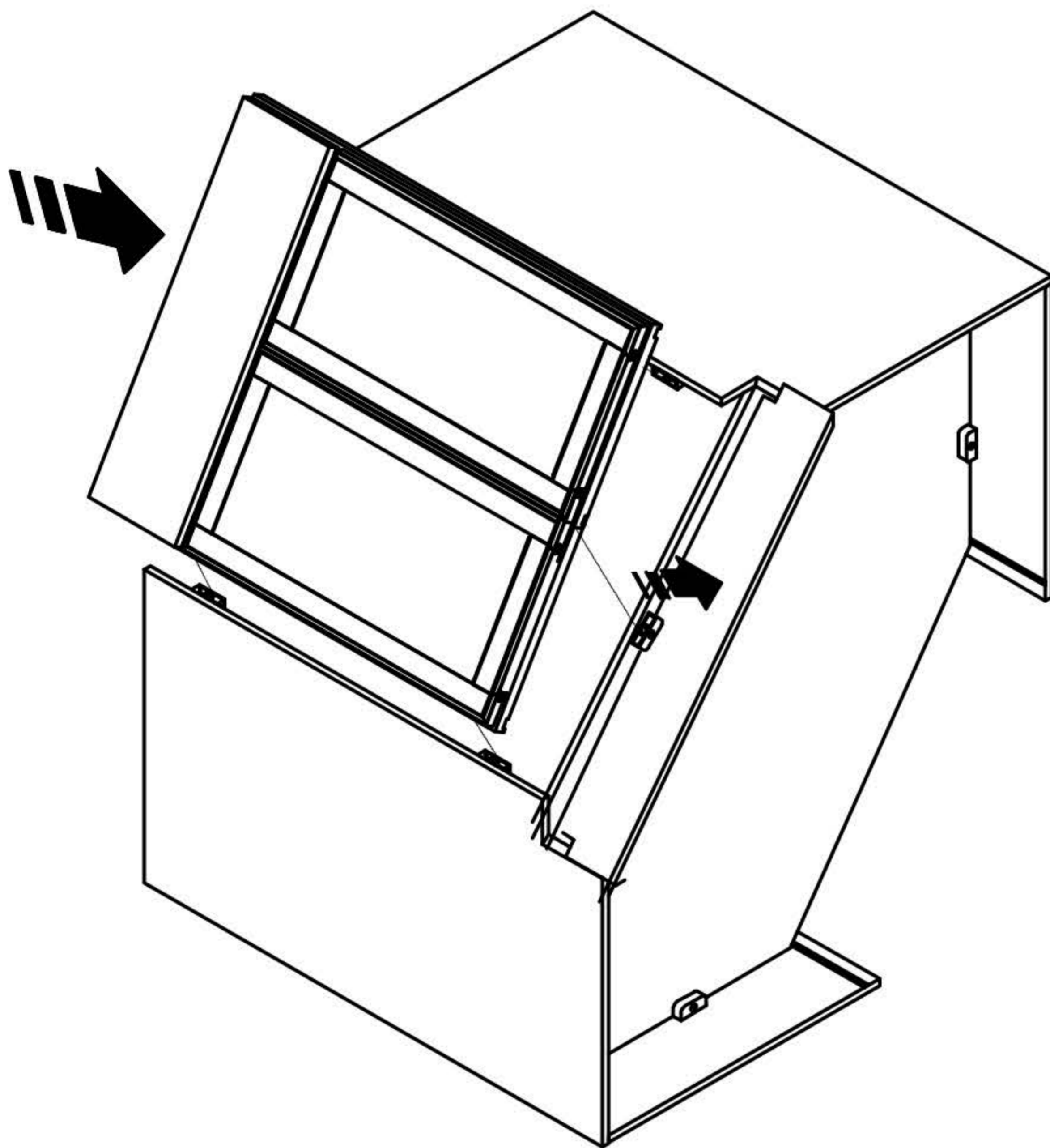
**NCSB42**



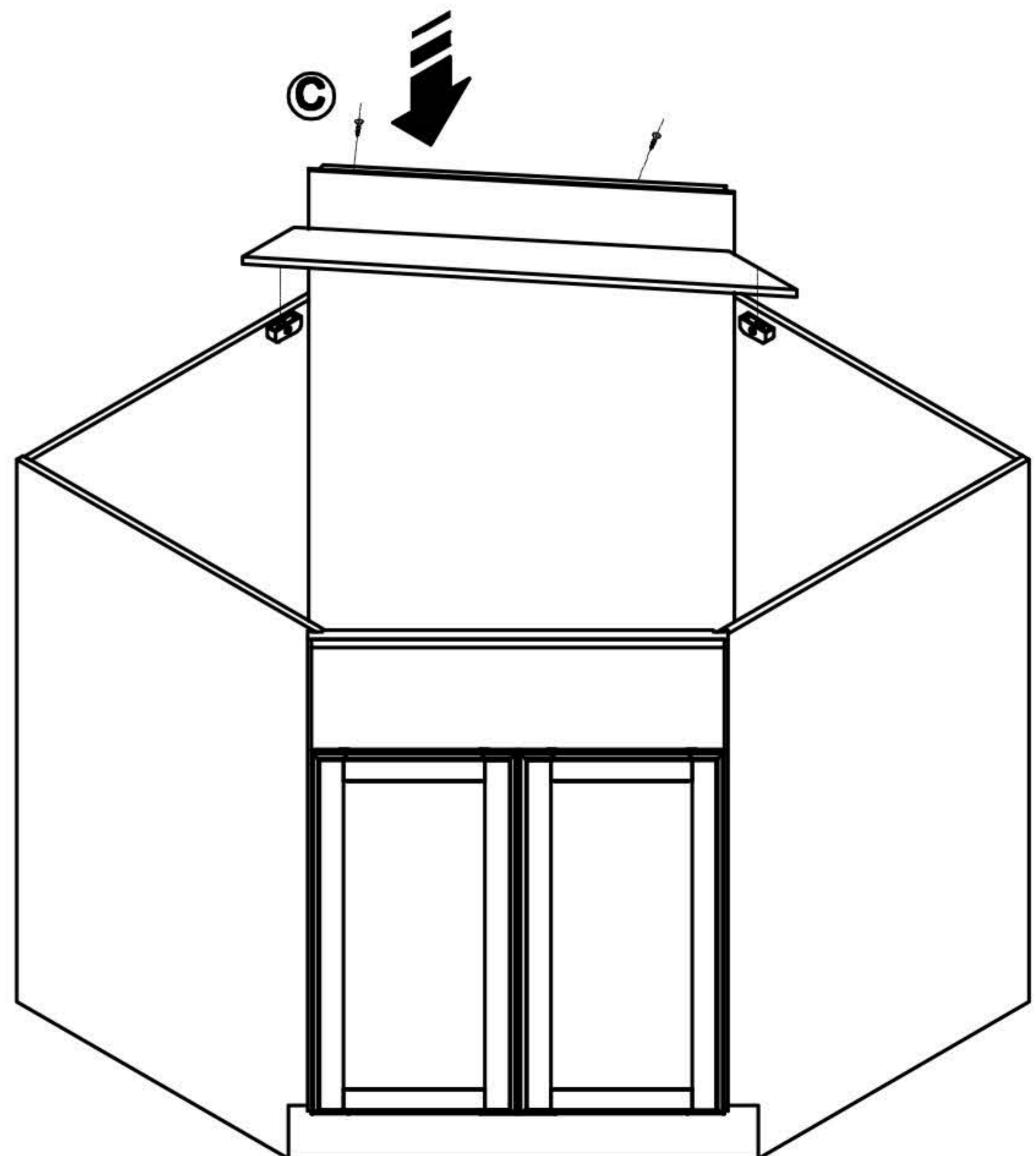
**Example**



**Step 1**



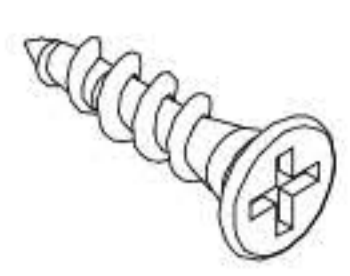
**Step 2**



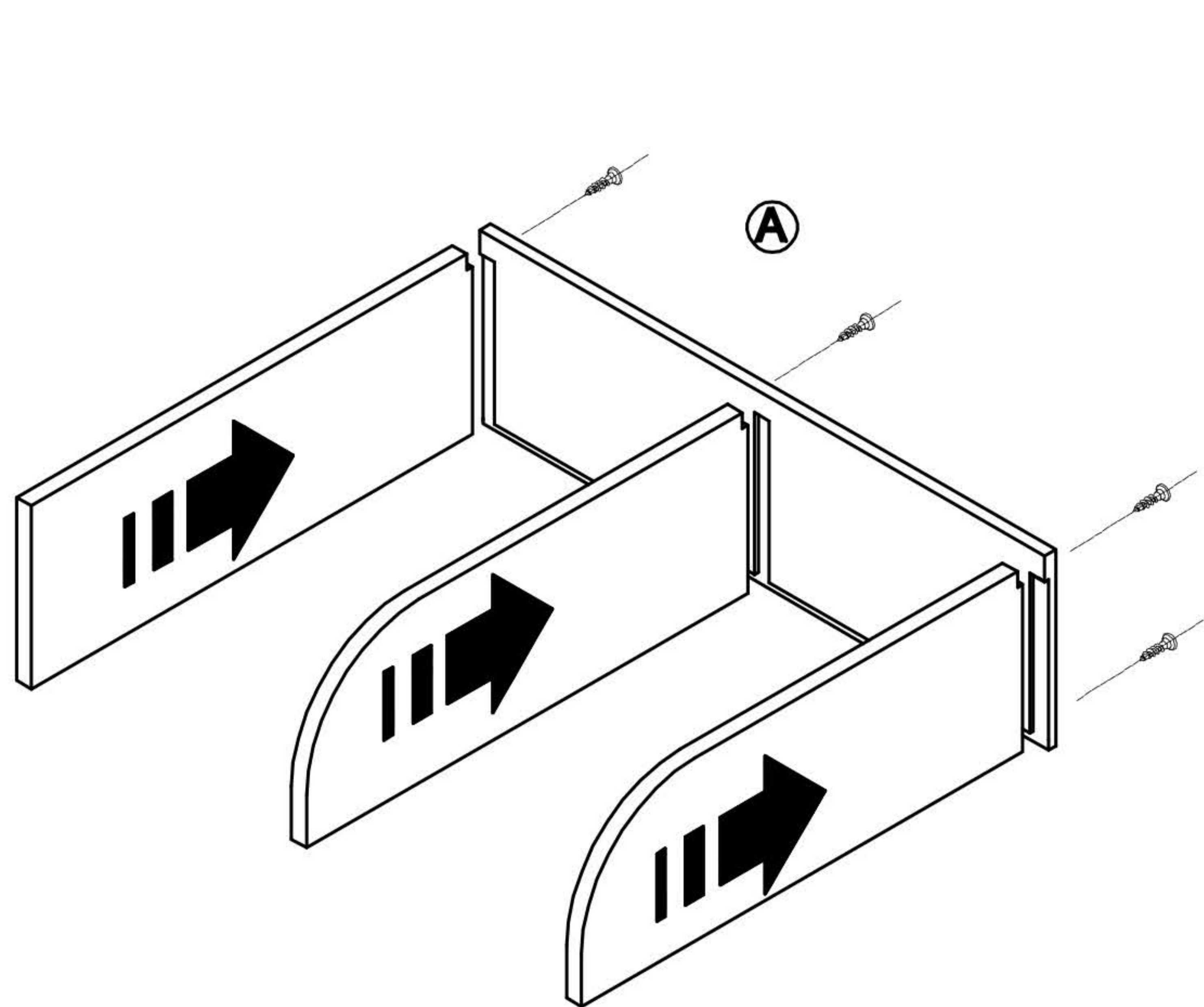
**Step 3**

# LORY CABINETS

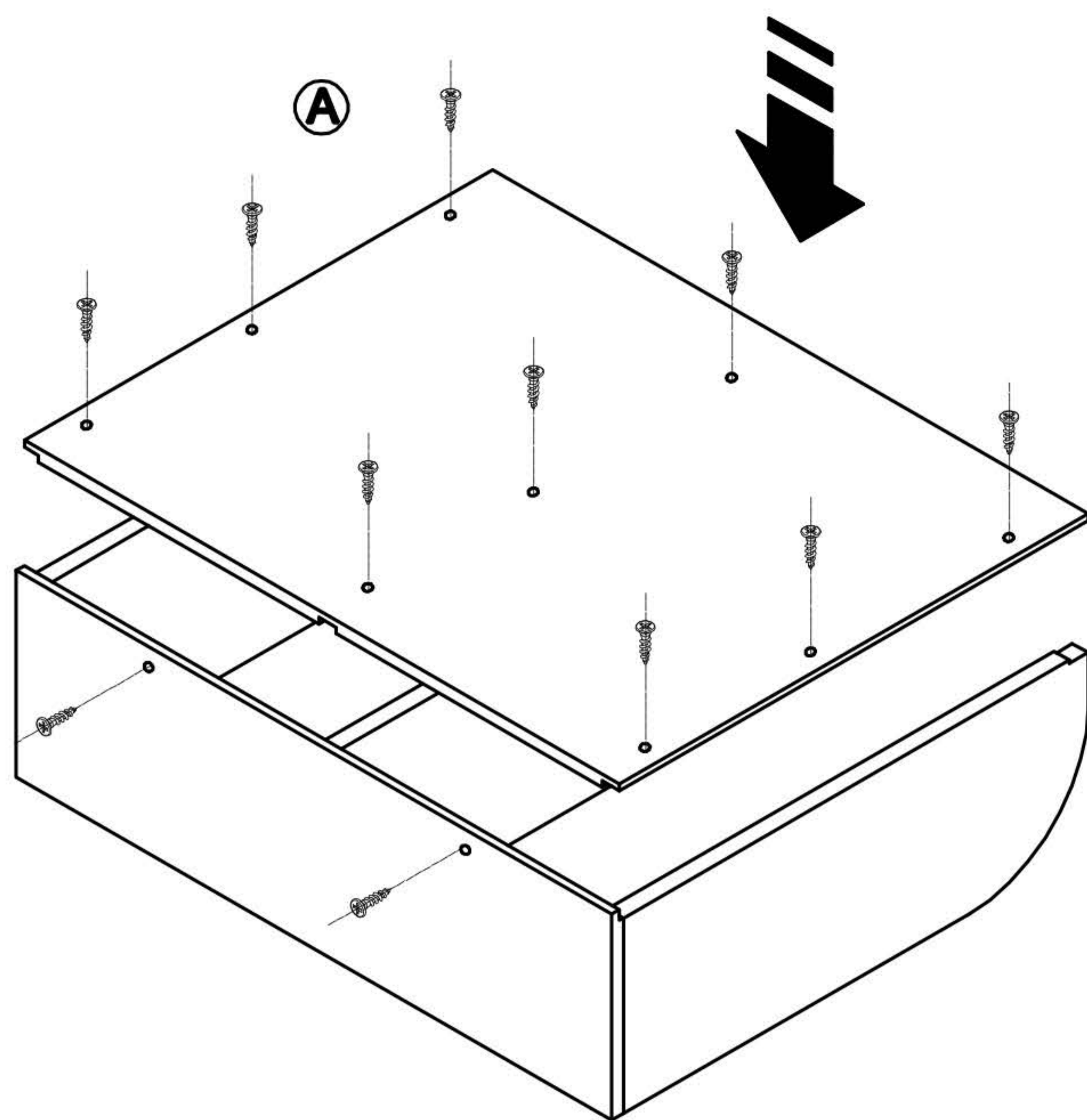
## Mocha Shaker Pg. 24

Code	A
Icon	1" 
Number	20PS

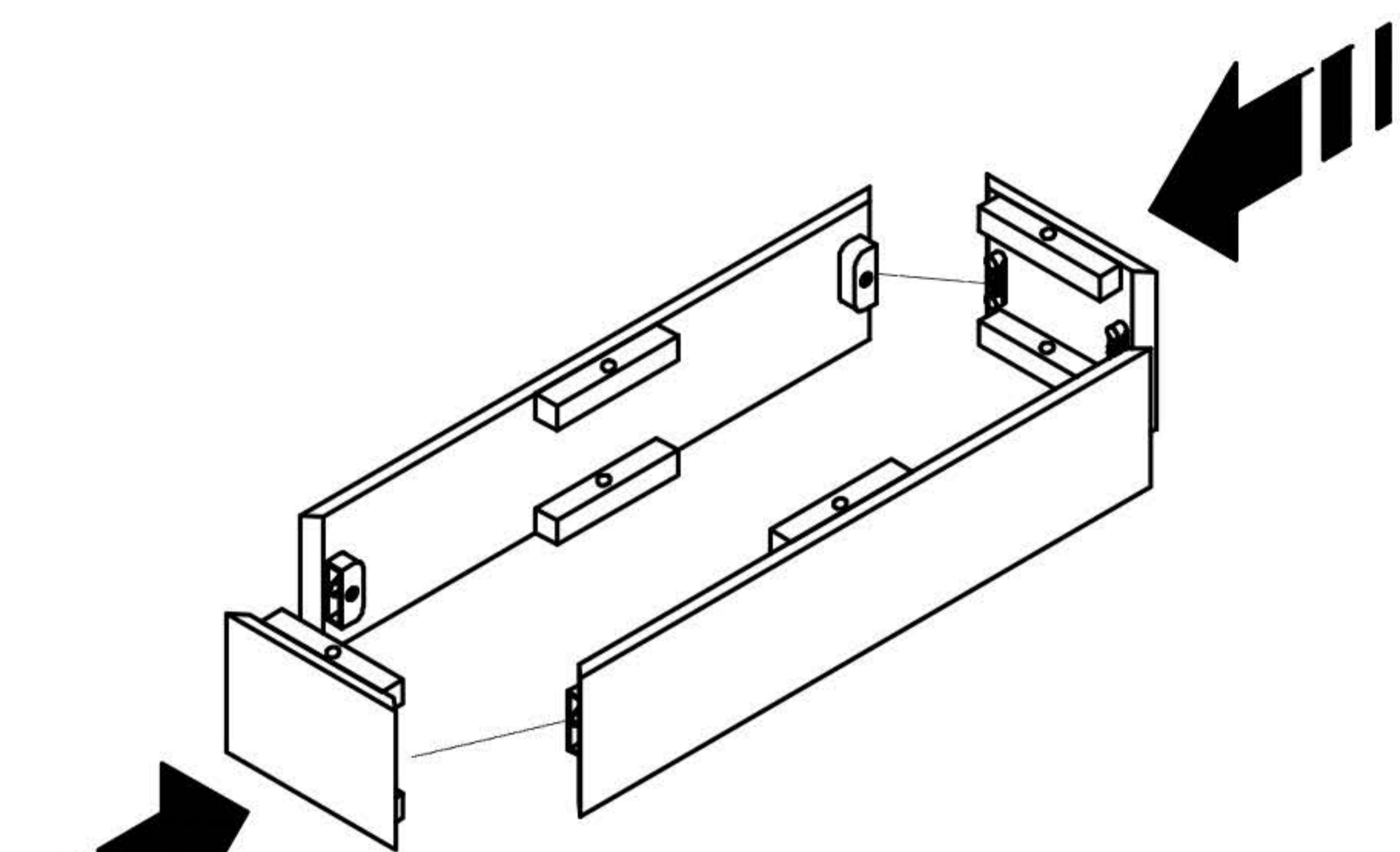
**BES09**



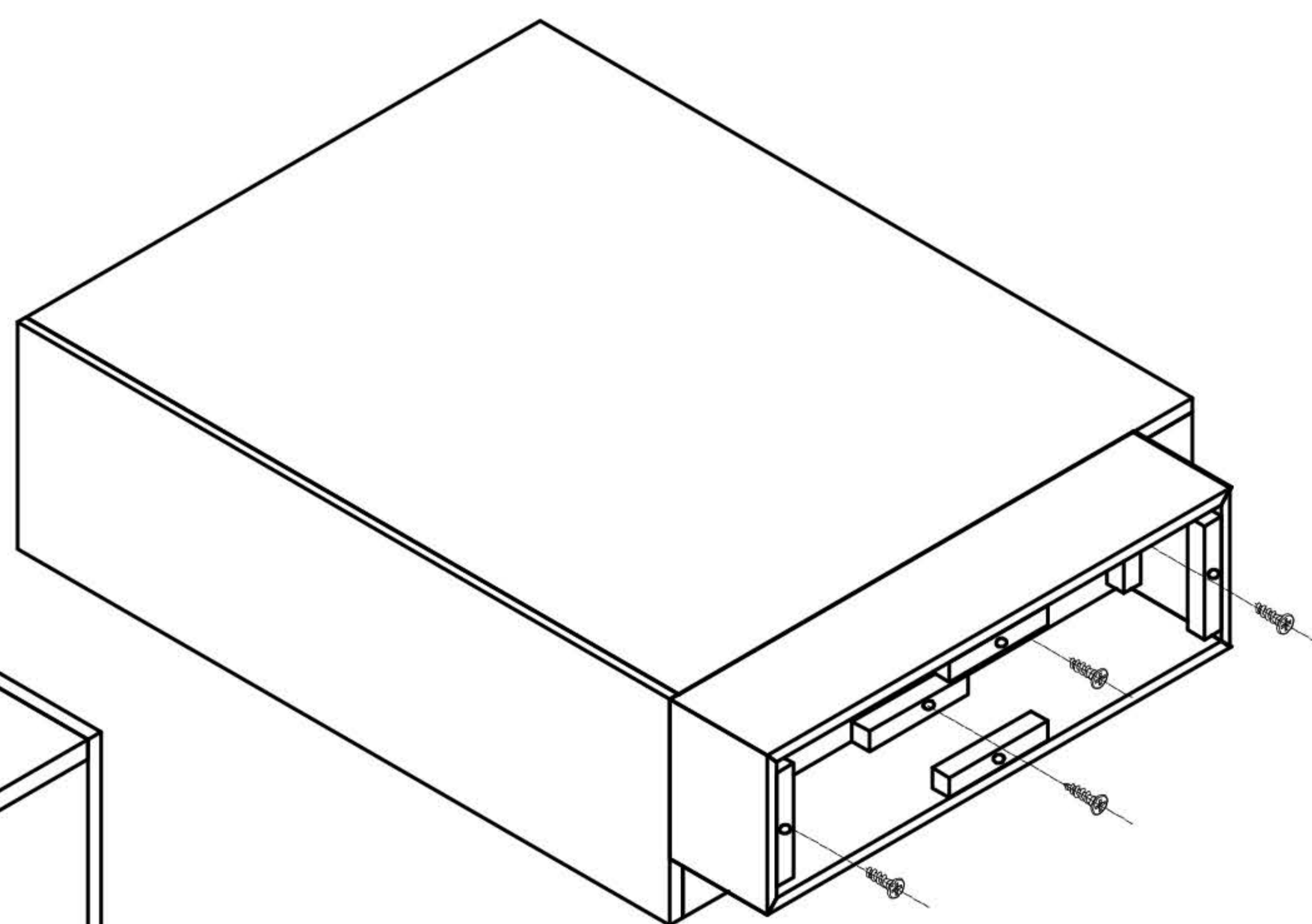
**Step 1**



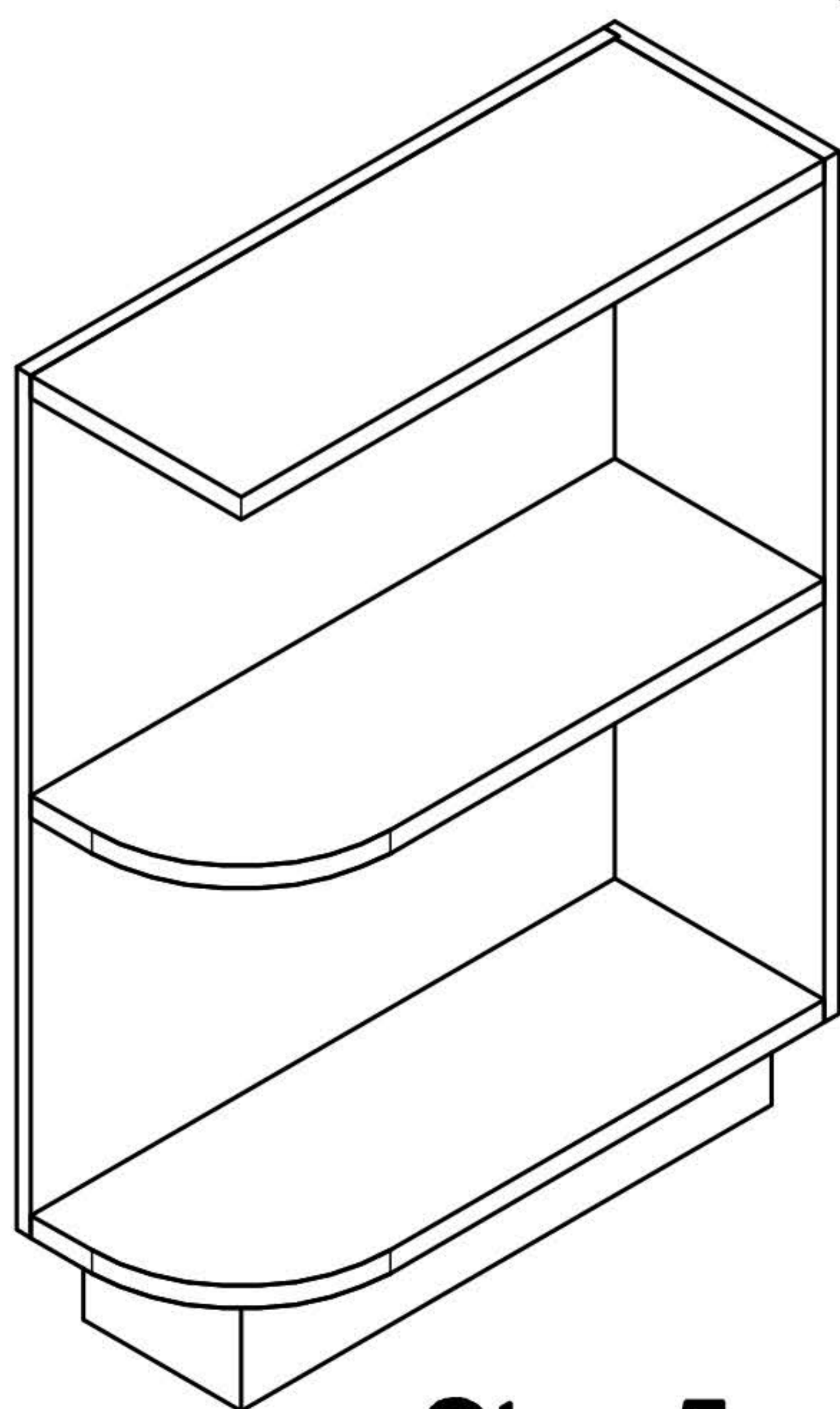
**Step 2**



**Step 3**



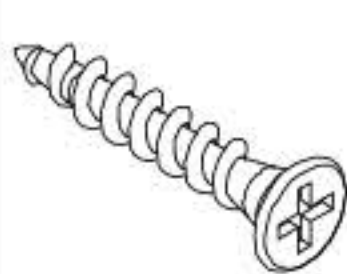
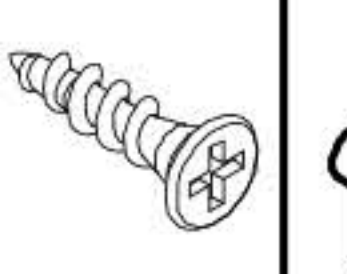

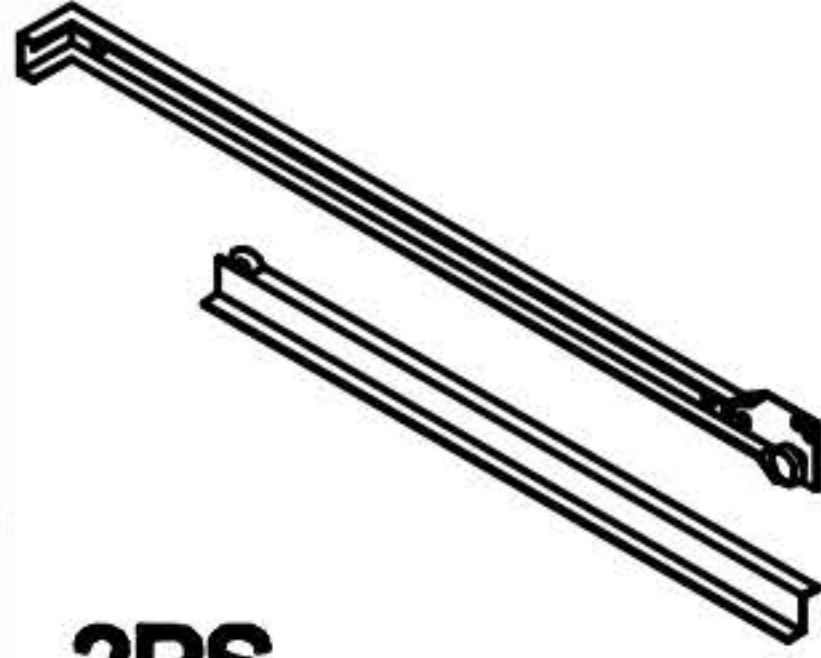
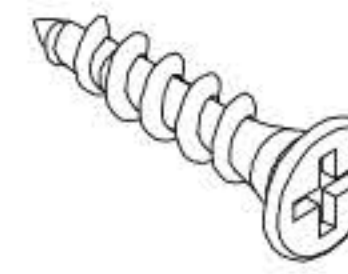
**Step 4**



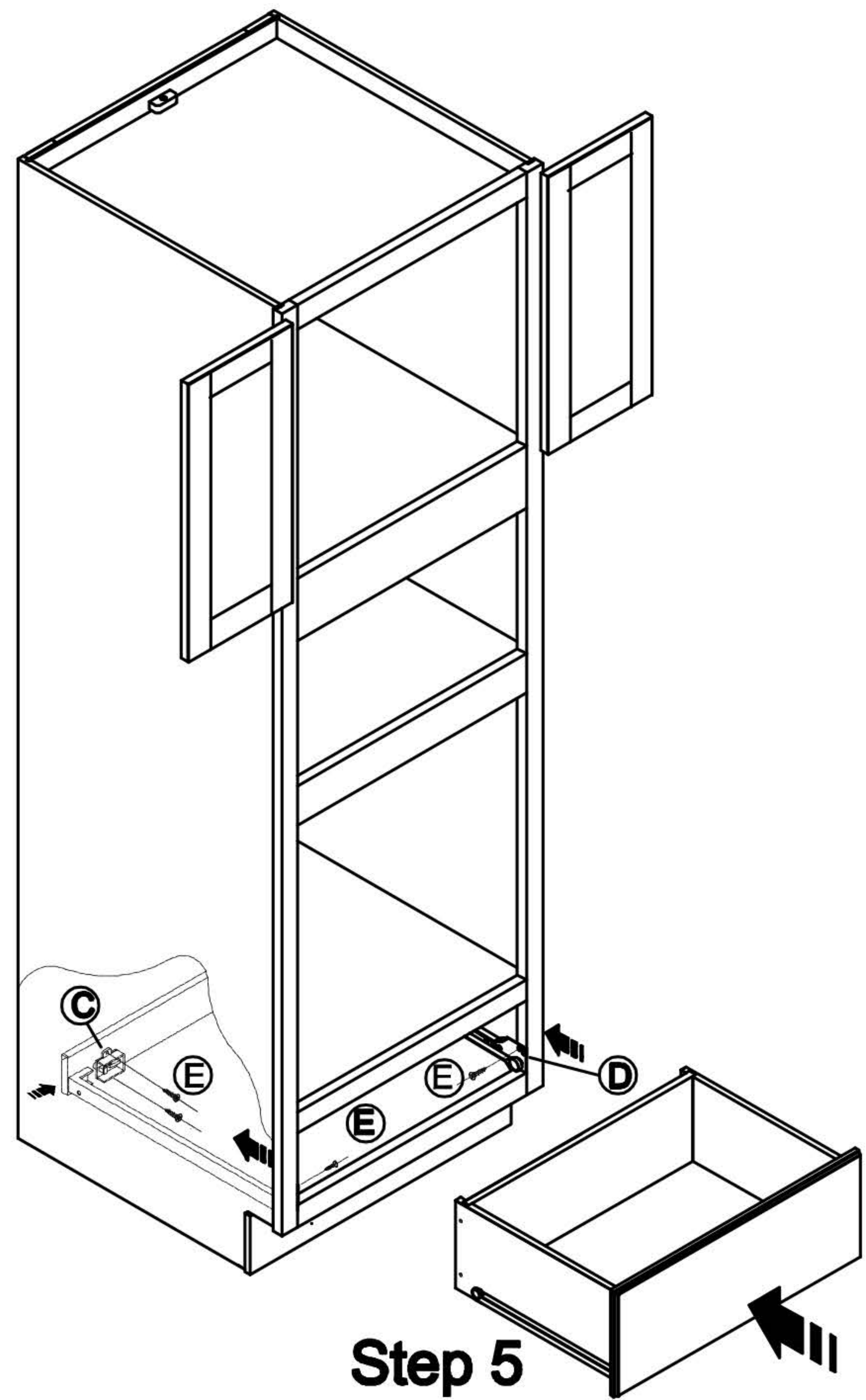
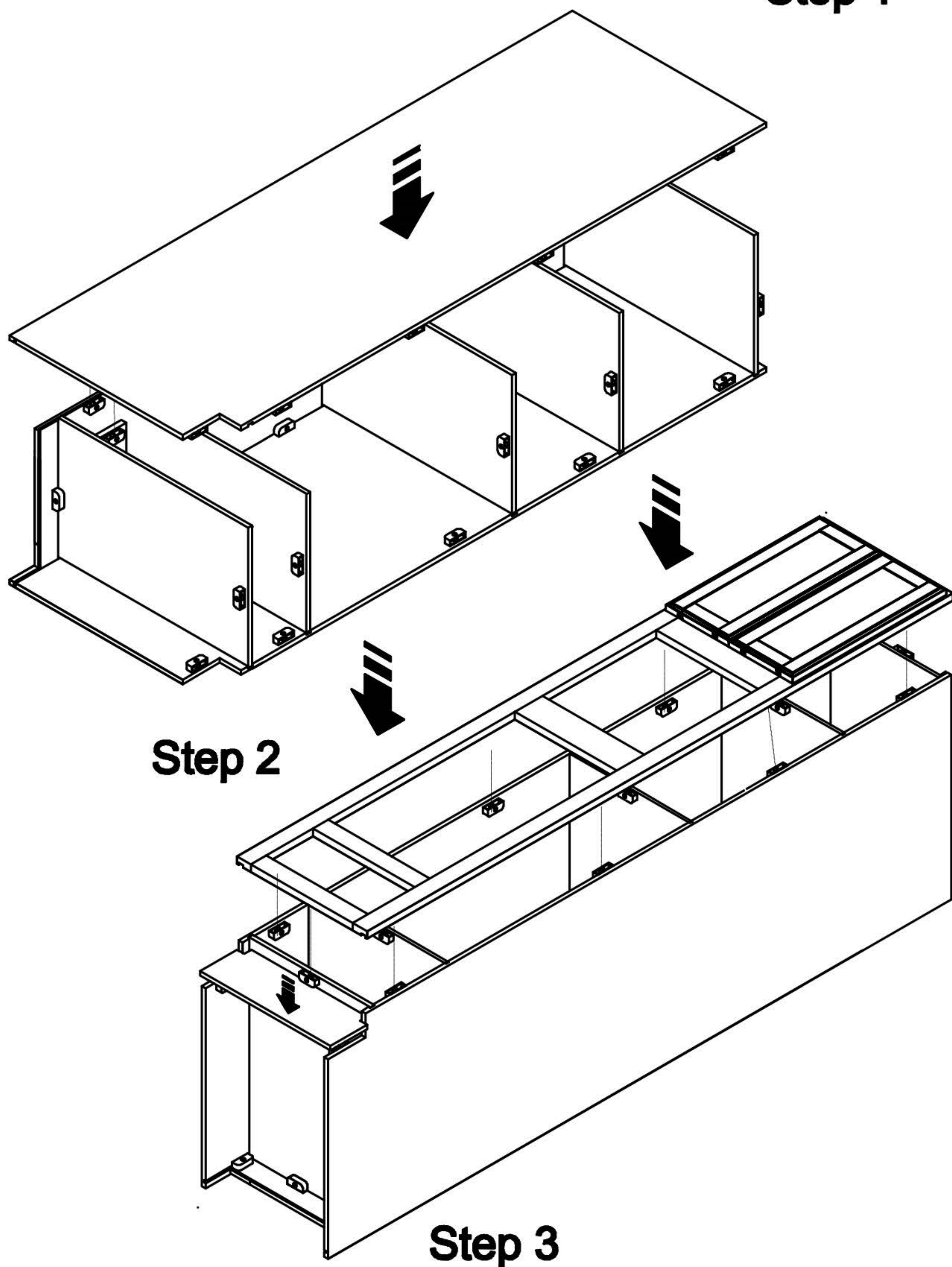
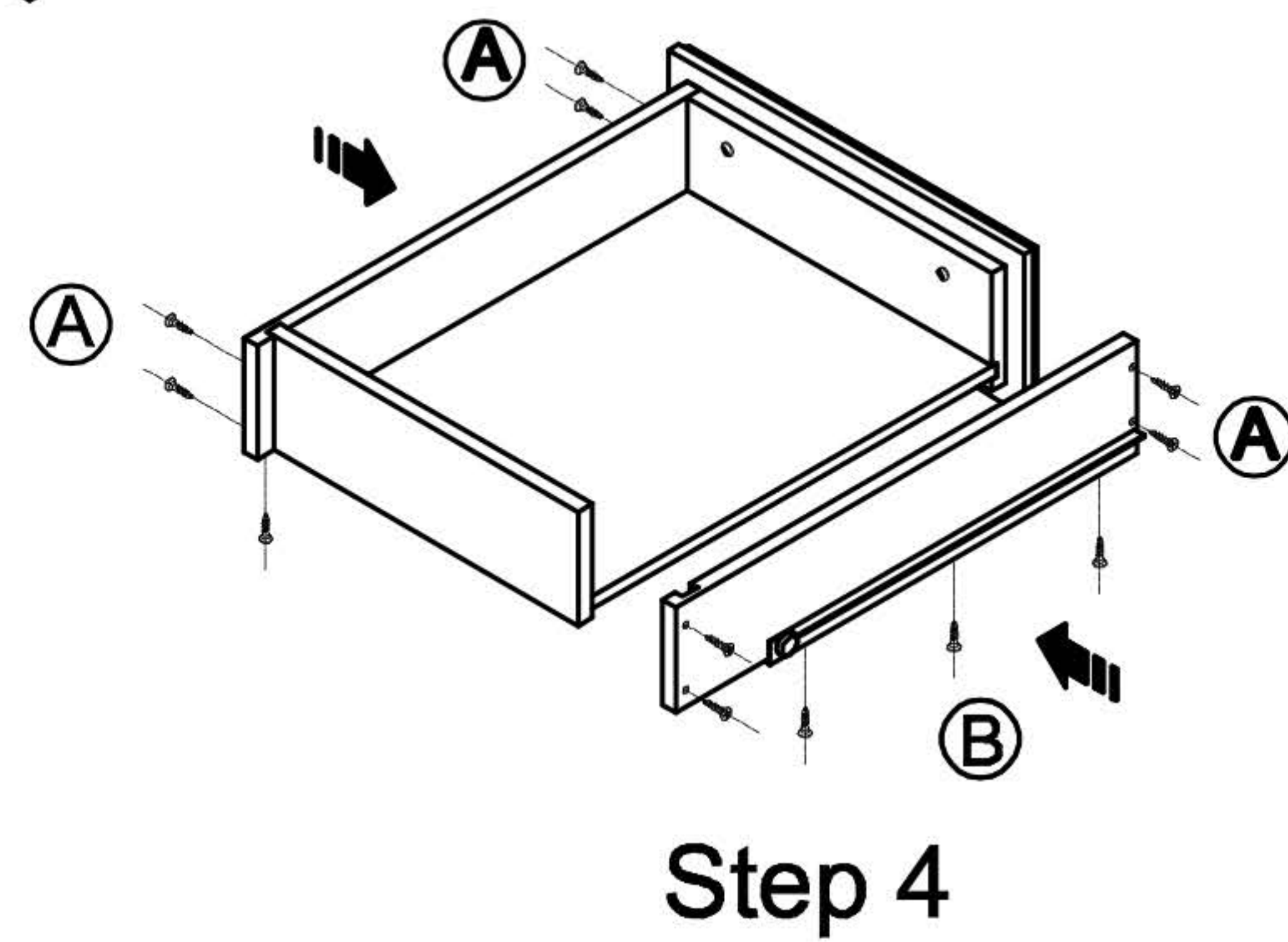
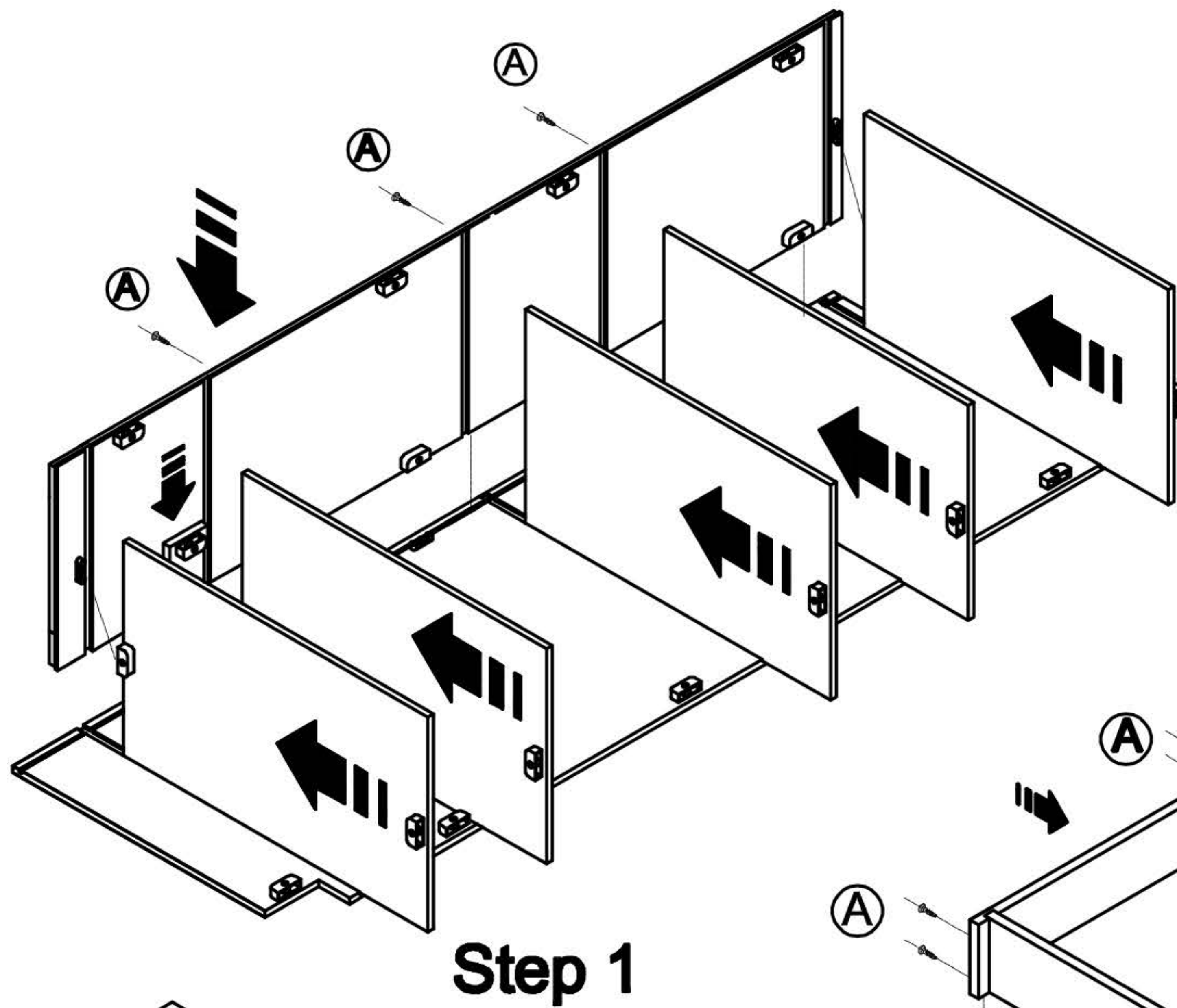
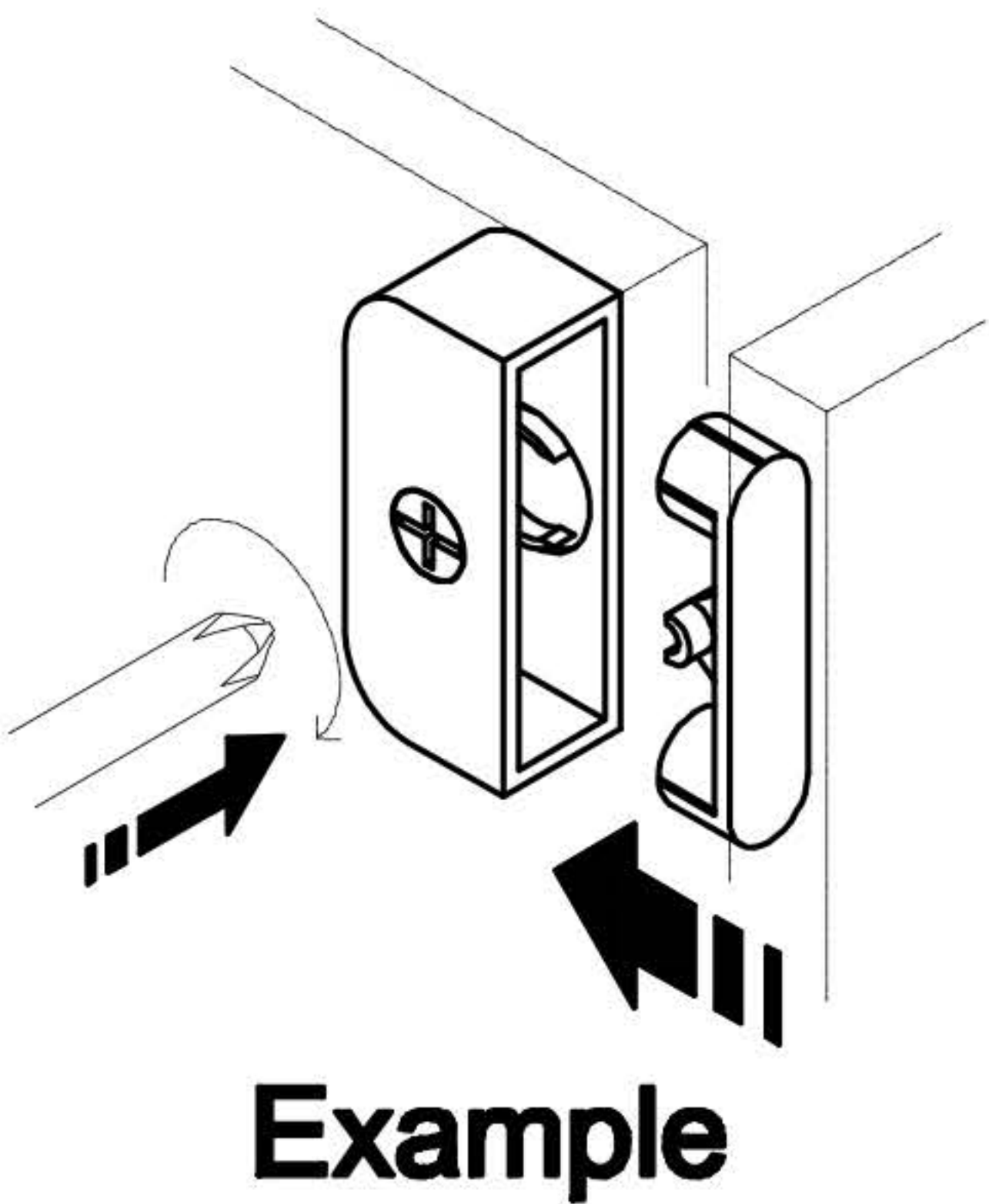
**Step 5**

# LORY CABINETS

## Mocha Shaker Pg. 25



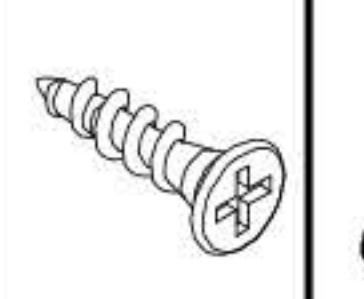
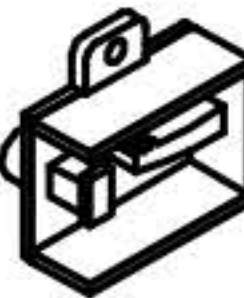

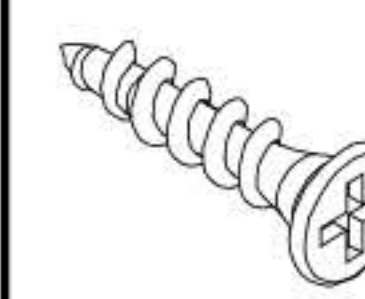
Code	A	B	C	D	E
Icon					
Number	14PS	6PS	2PS	2PS	5/8" 6PS

OC3384-27

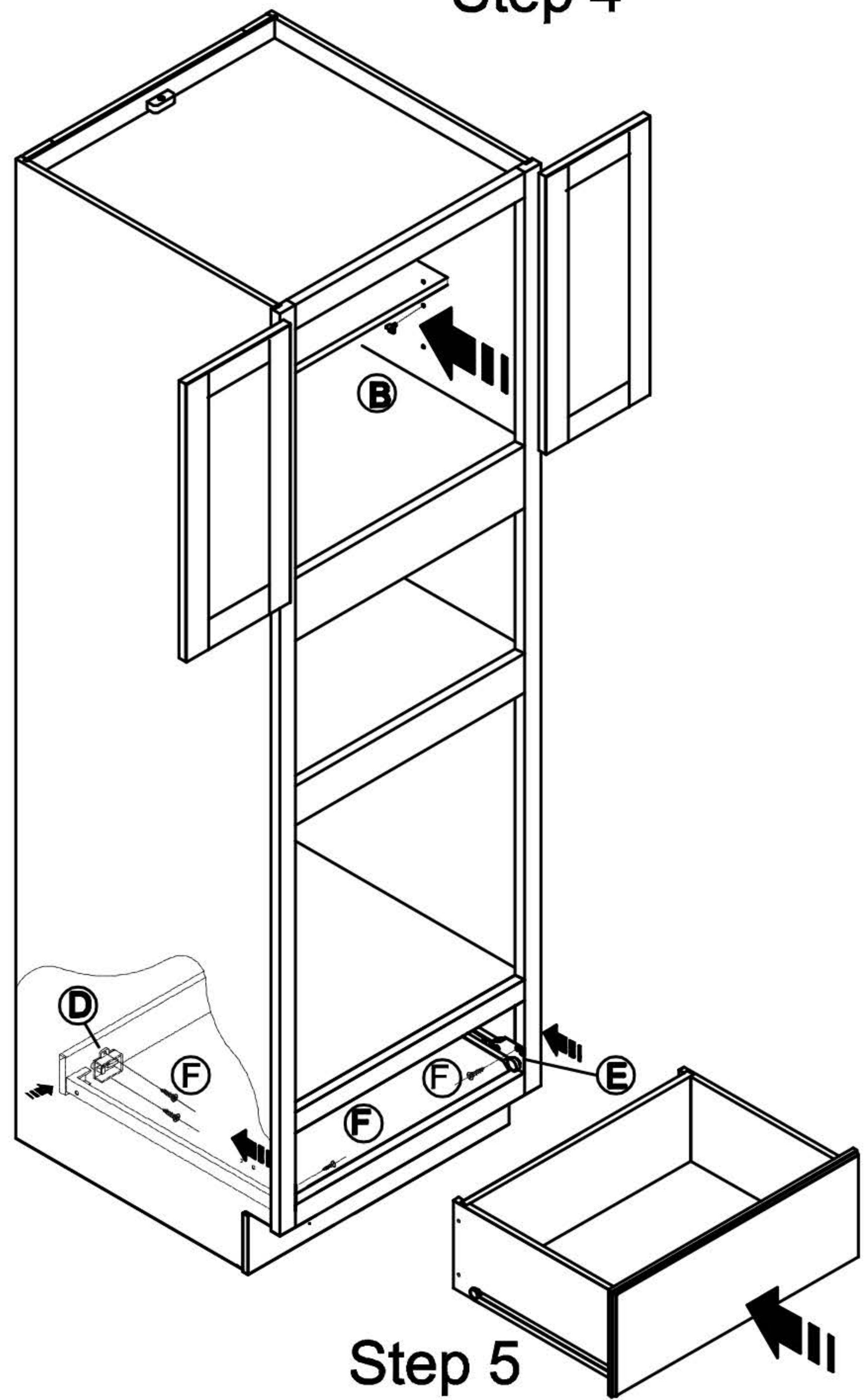
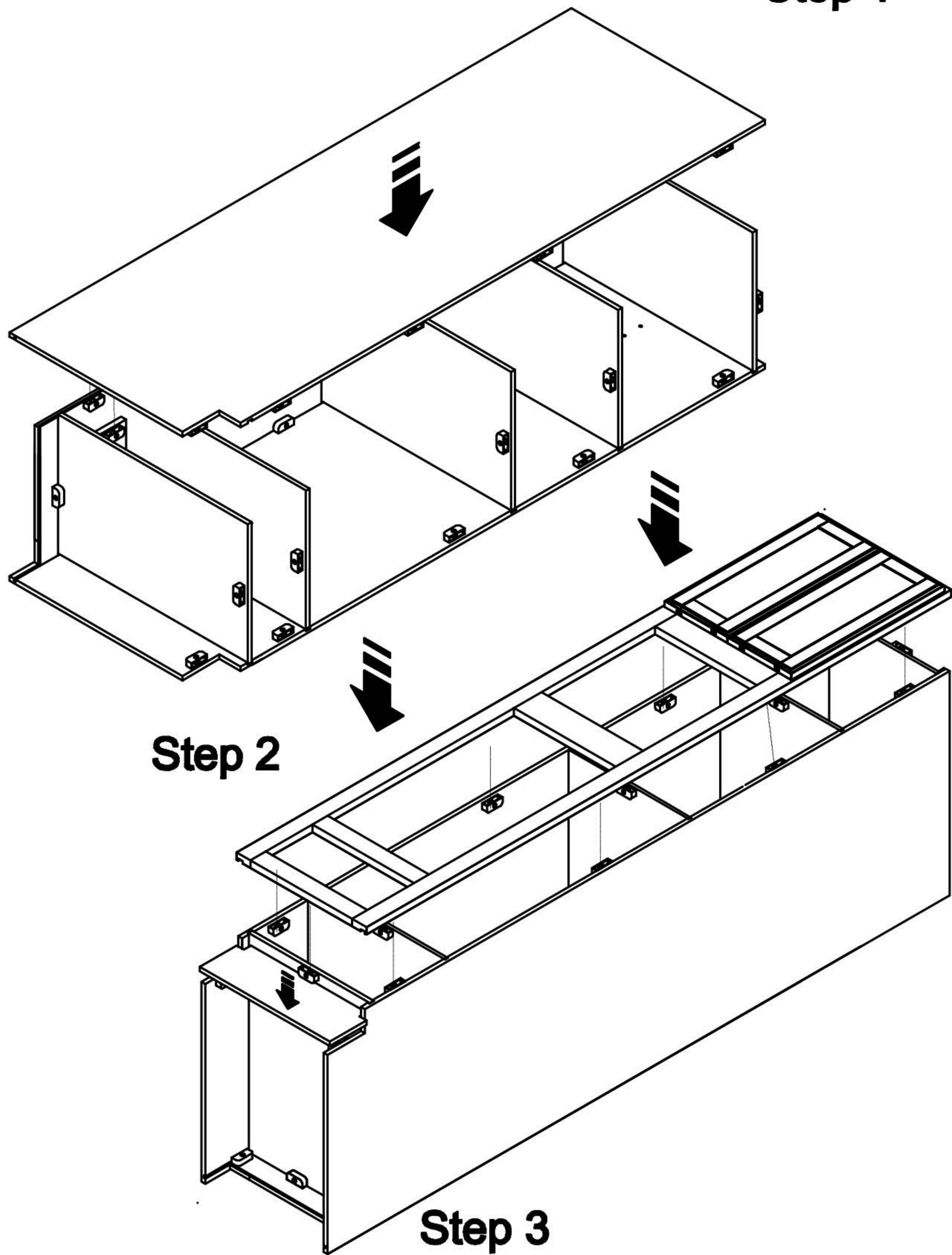
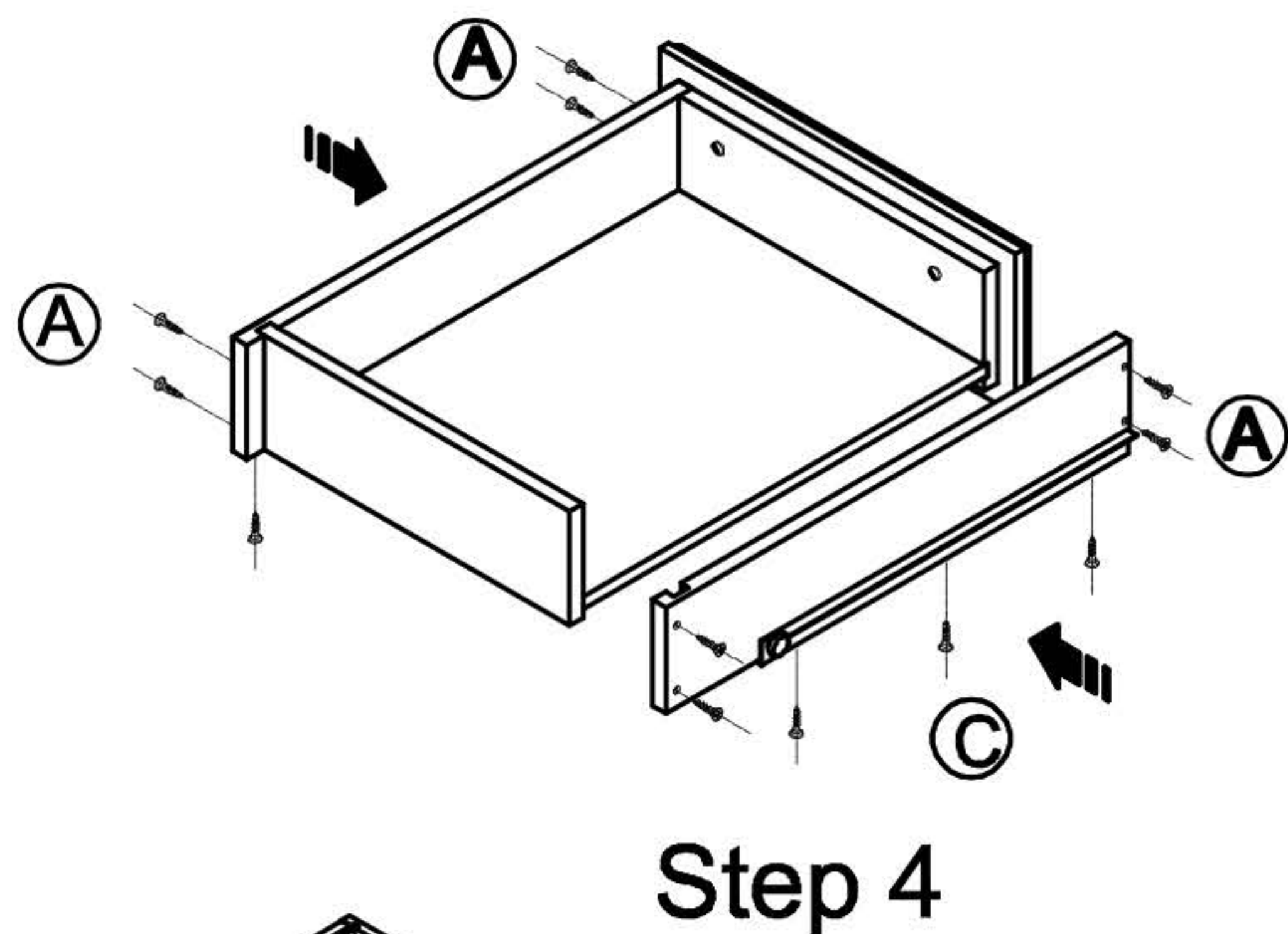
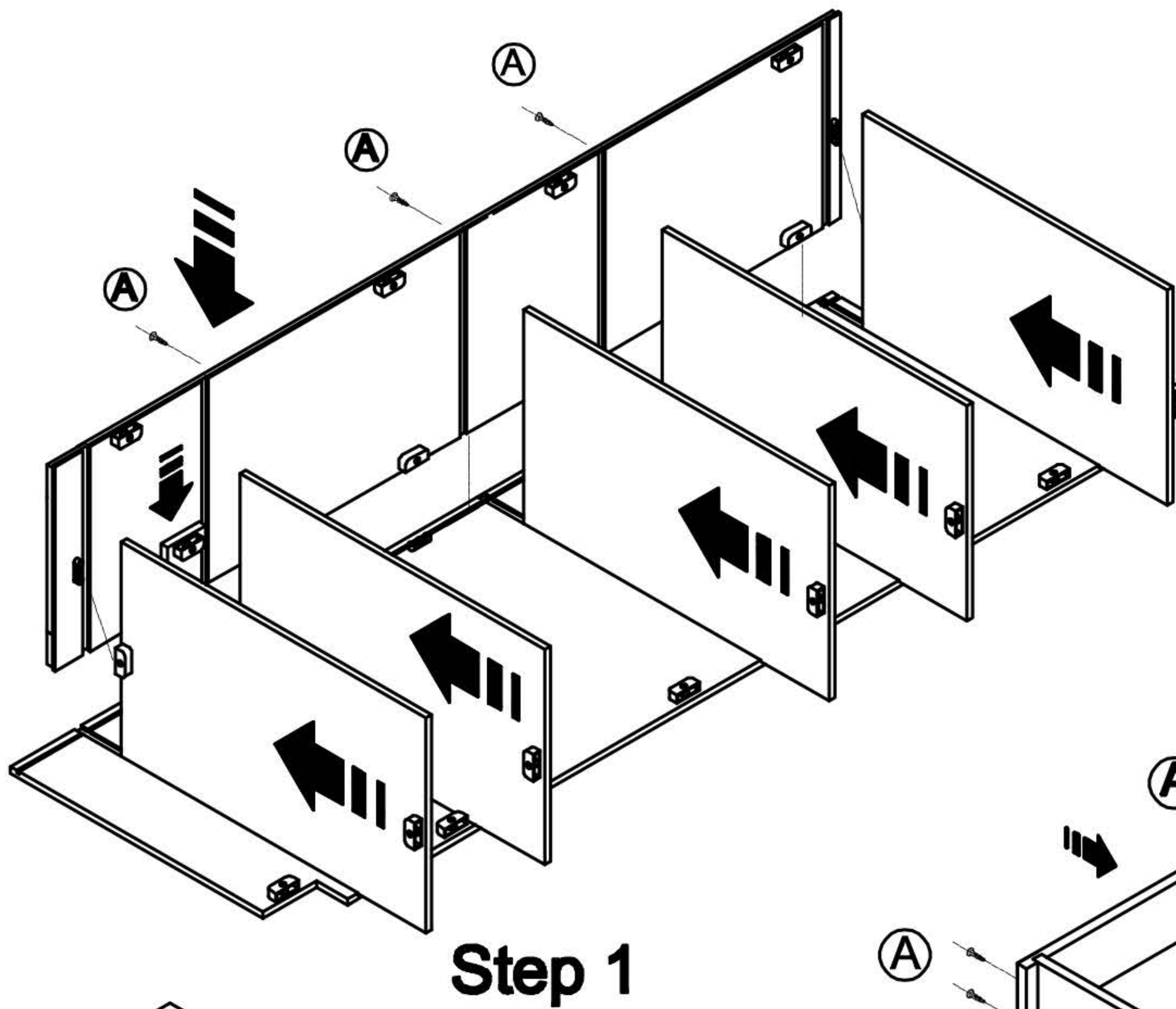
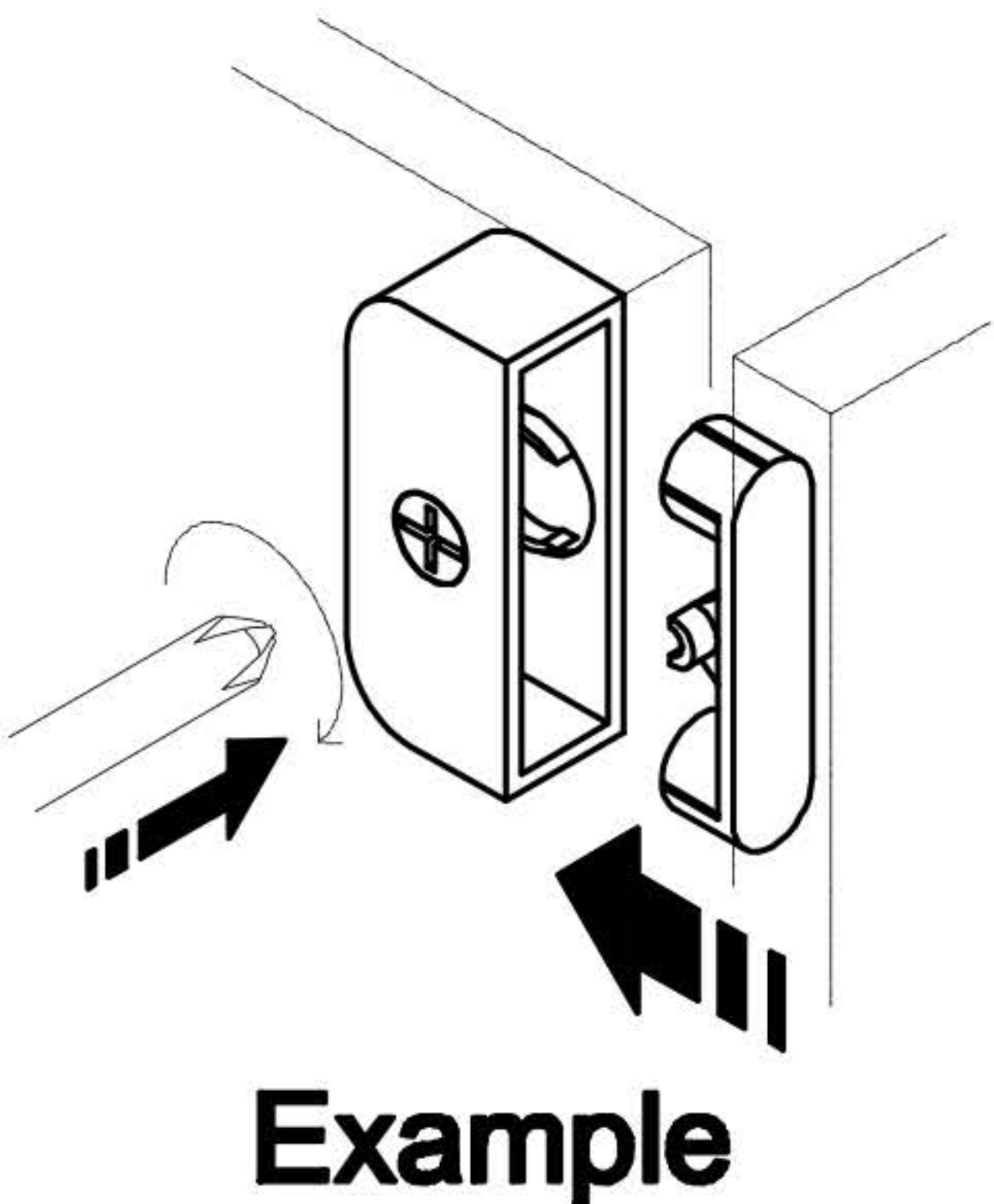


# LORY CABINETS

## Mocha Shaker Pg. 26

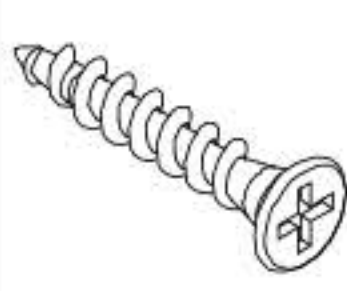
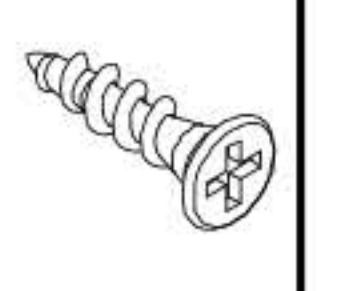
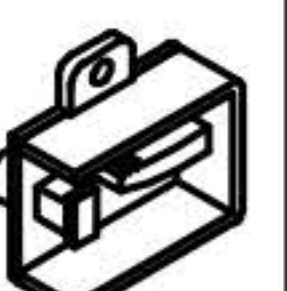
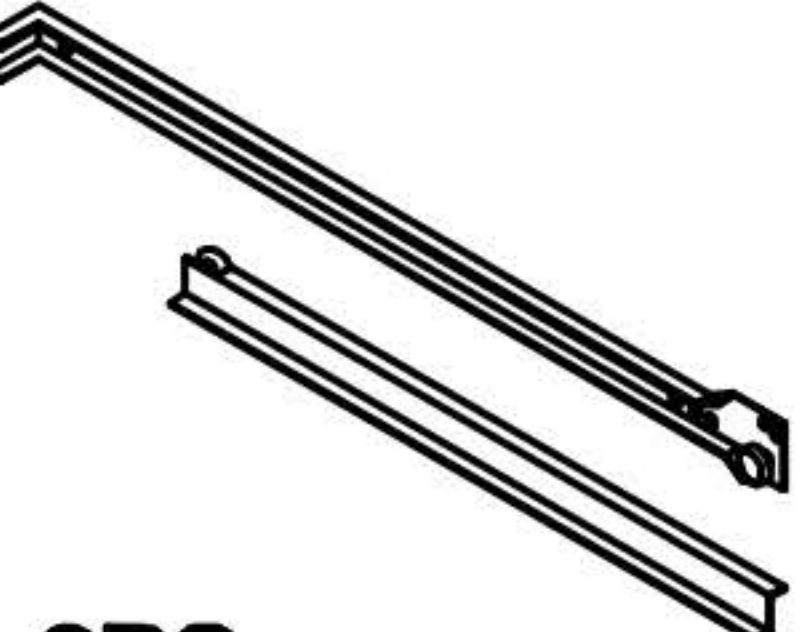
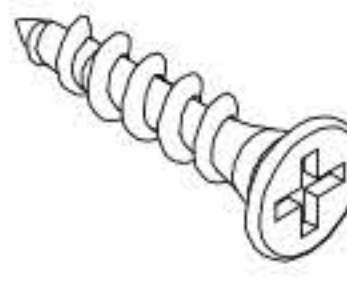
Code	A	B	C	D	E	F
Icon						
Number	14PS	4PS	6PS	2PS	2PS	5/8" 6PS

OC3390-27, OC3396-27

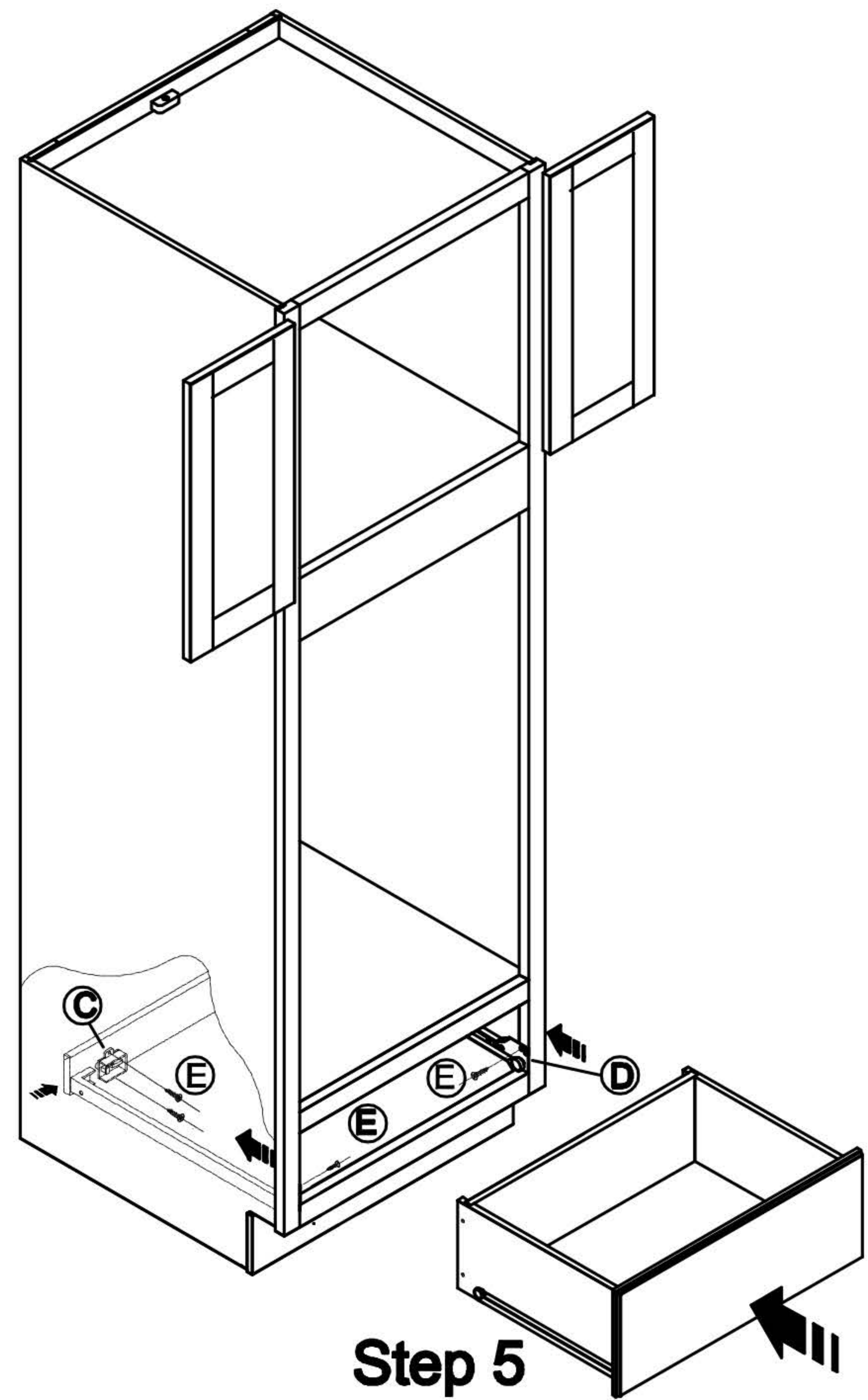
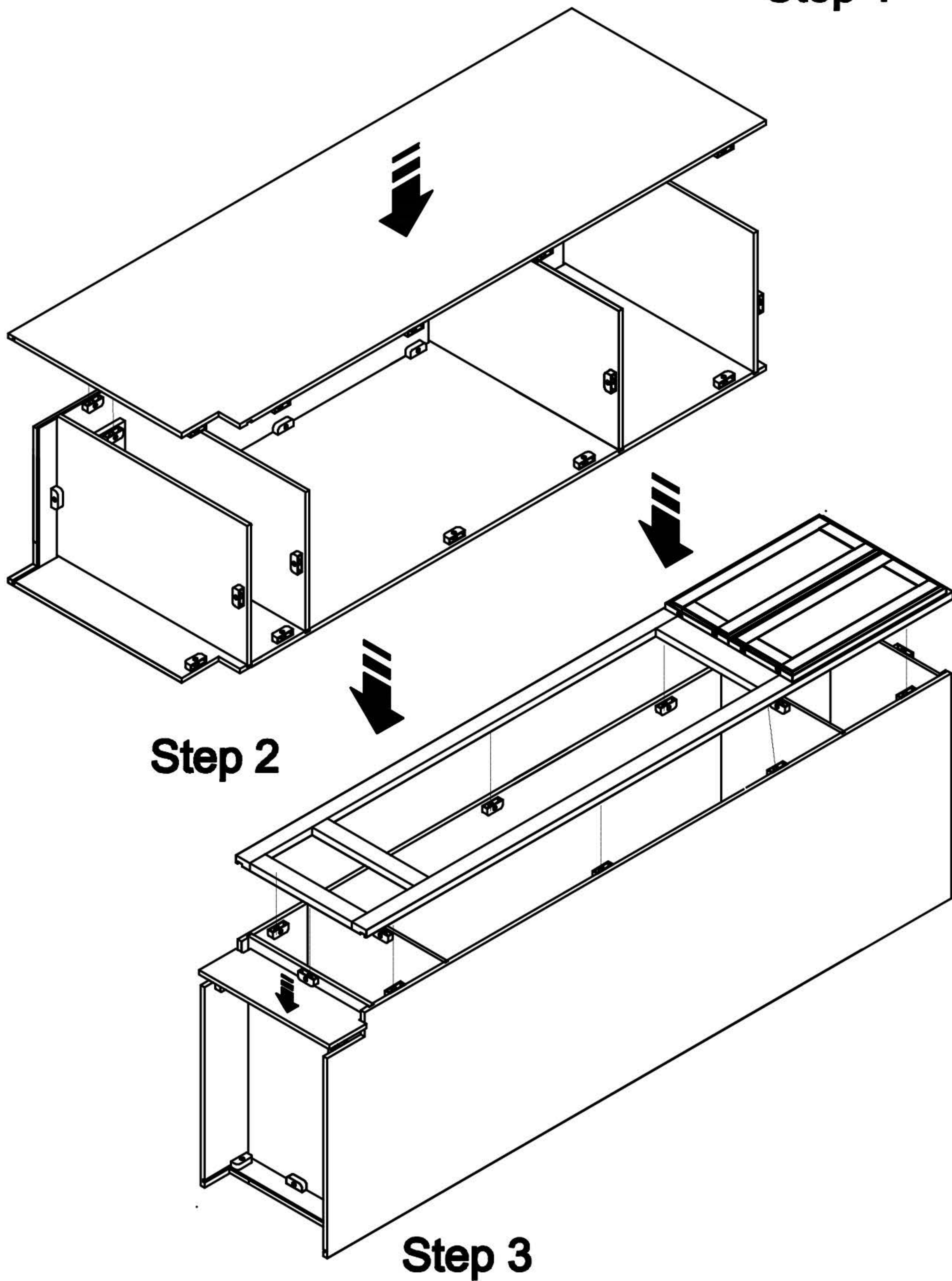
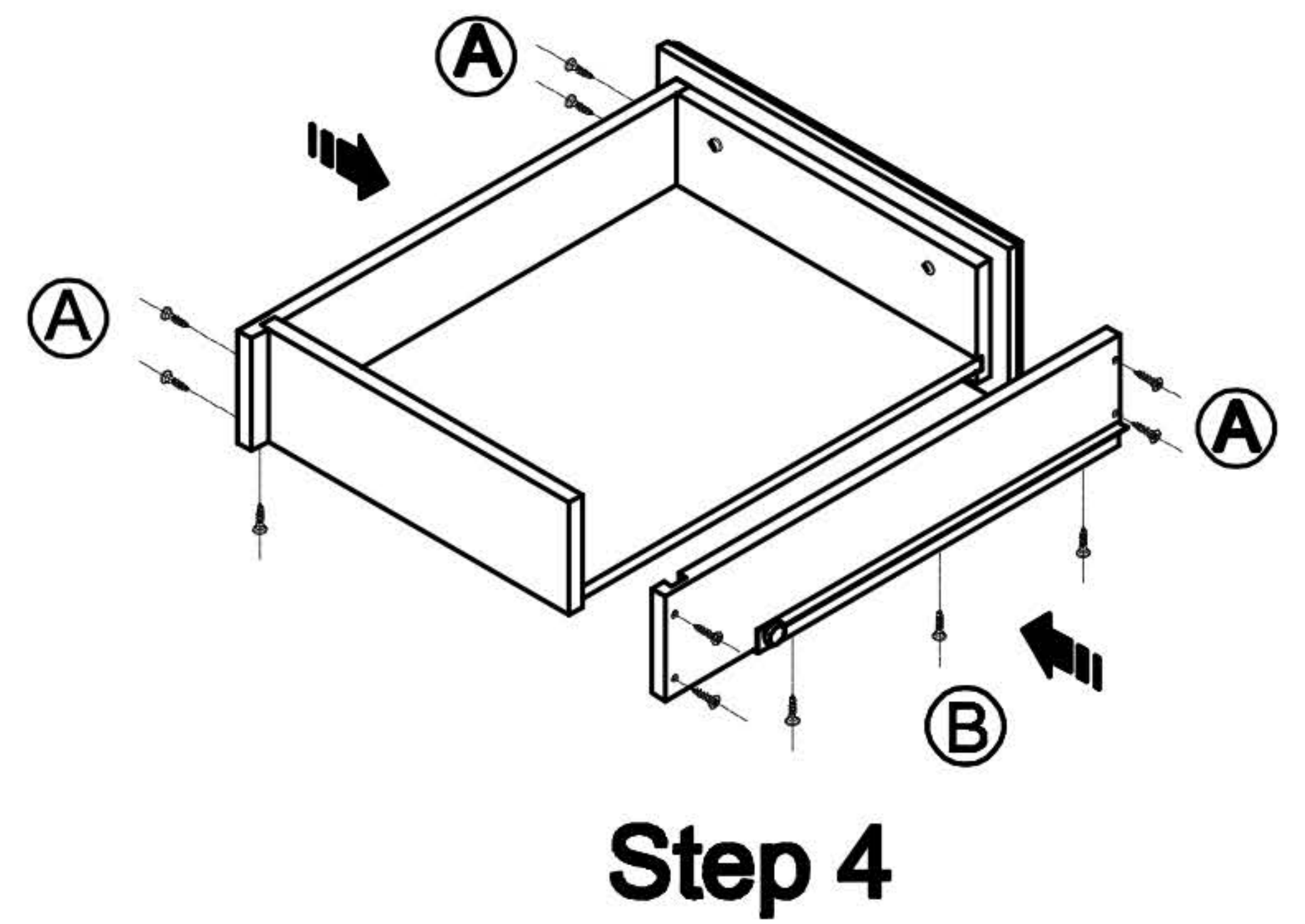
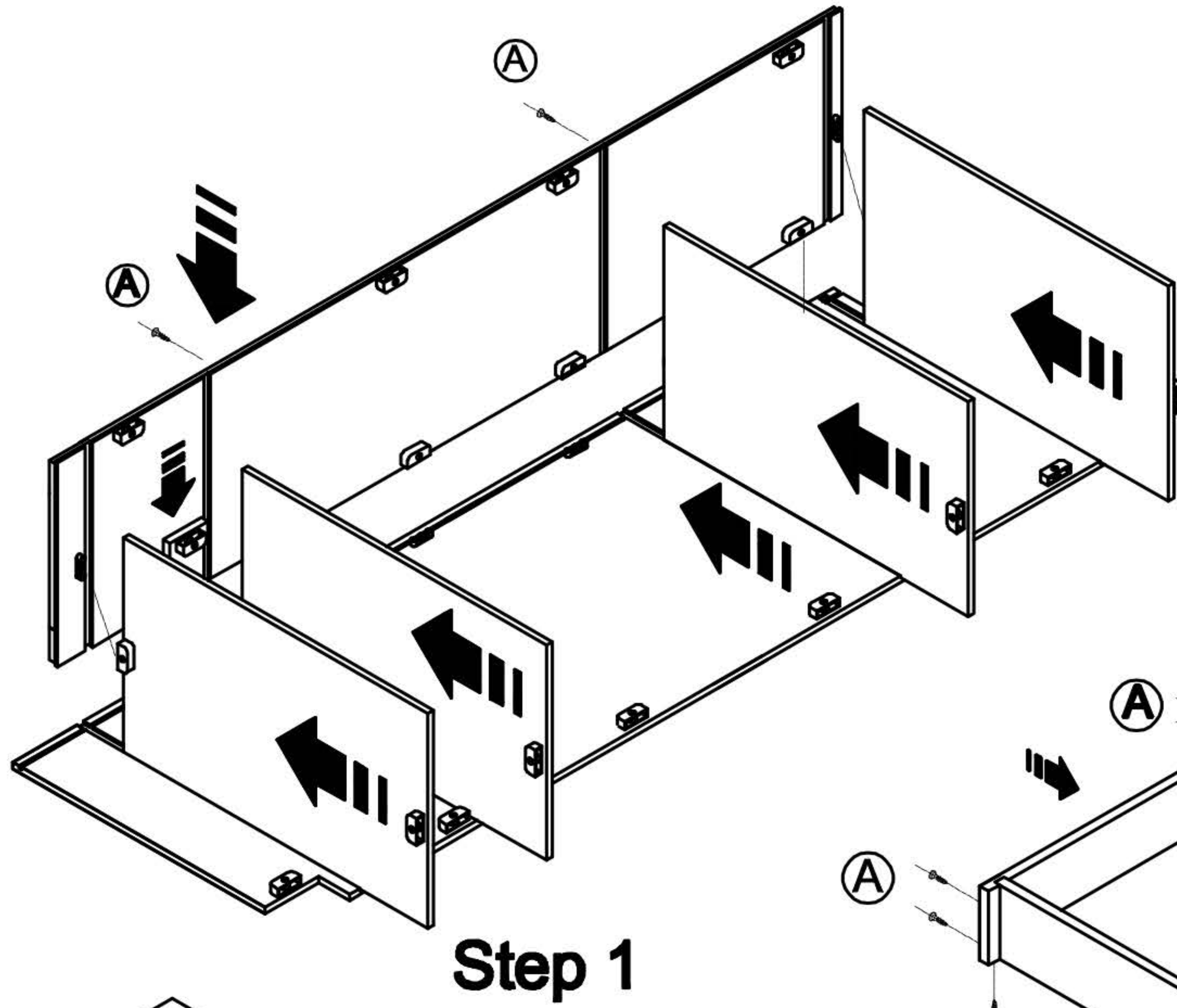
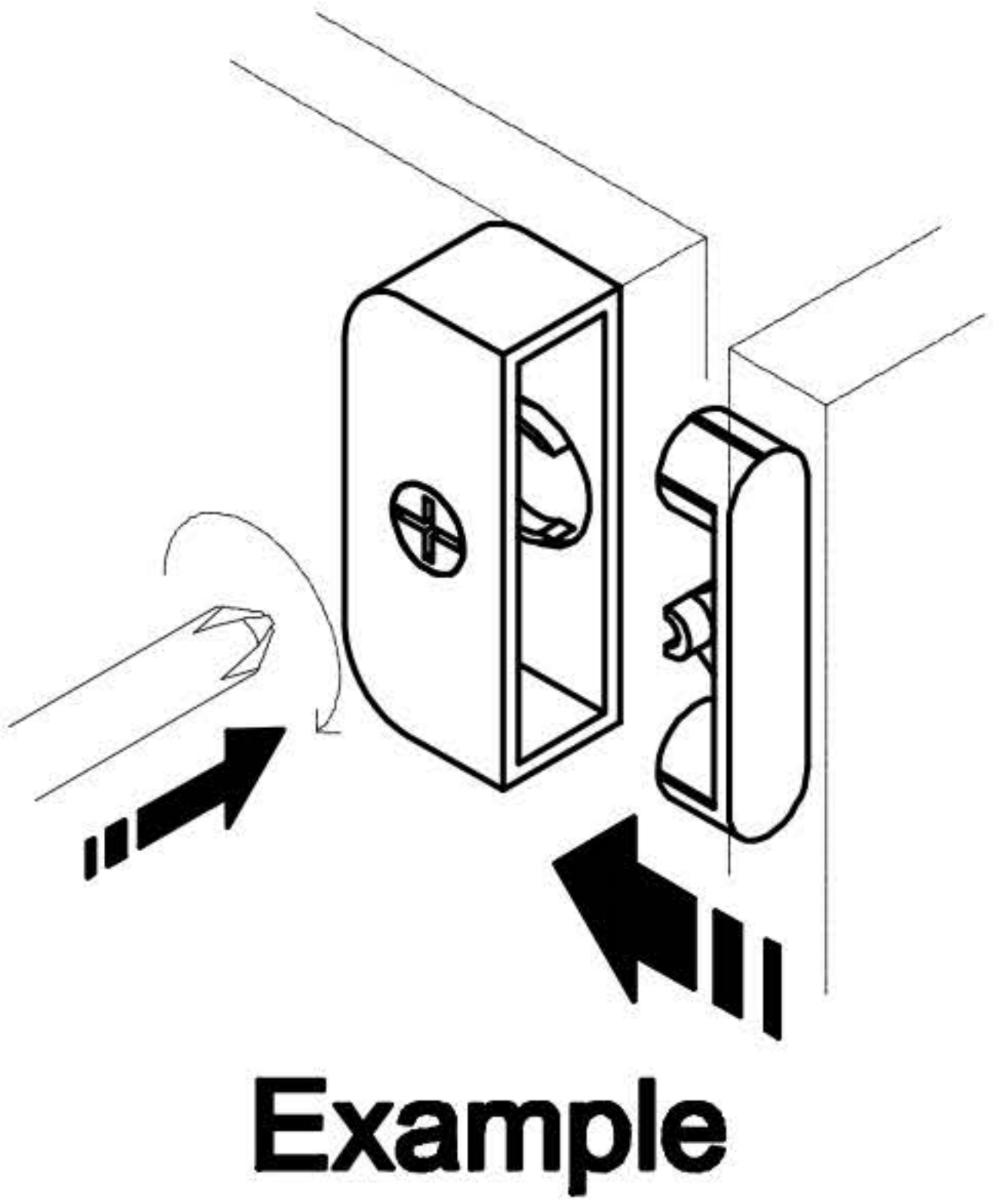


# LORY CABINETS

## Mocha Shaker Pg. 27

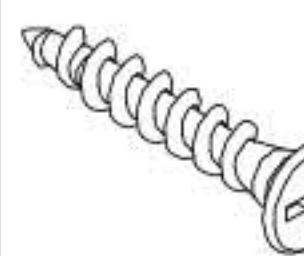


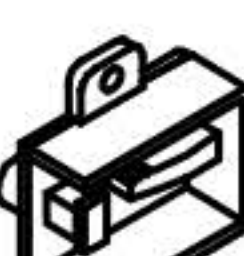
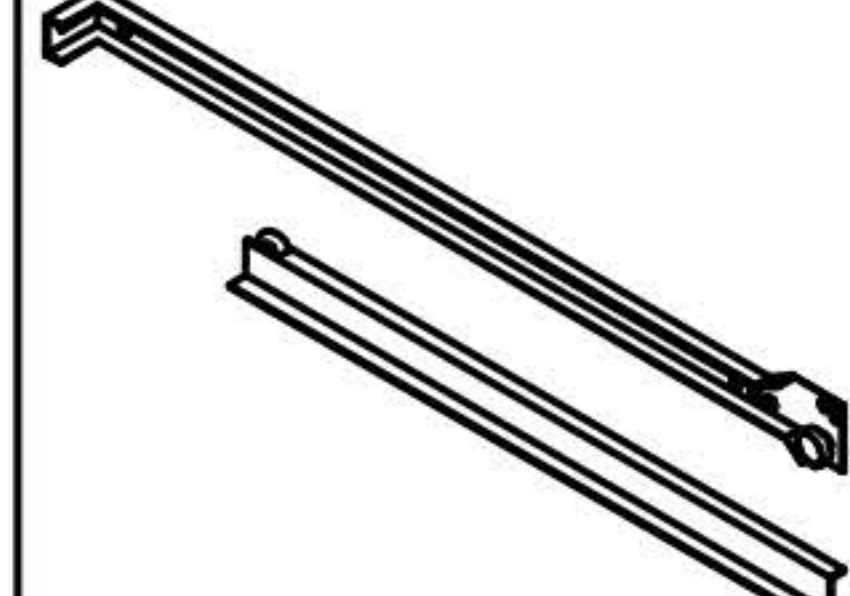
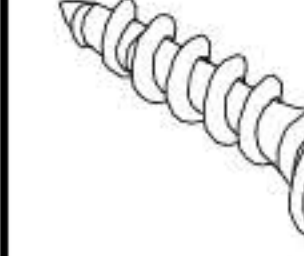
Code	A	B	C	D	E
Icon					
Number	12PS	6PS	2PS	2PS	5/8" 6PS

OD3384-27, OD3390-27

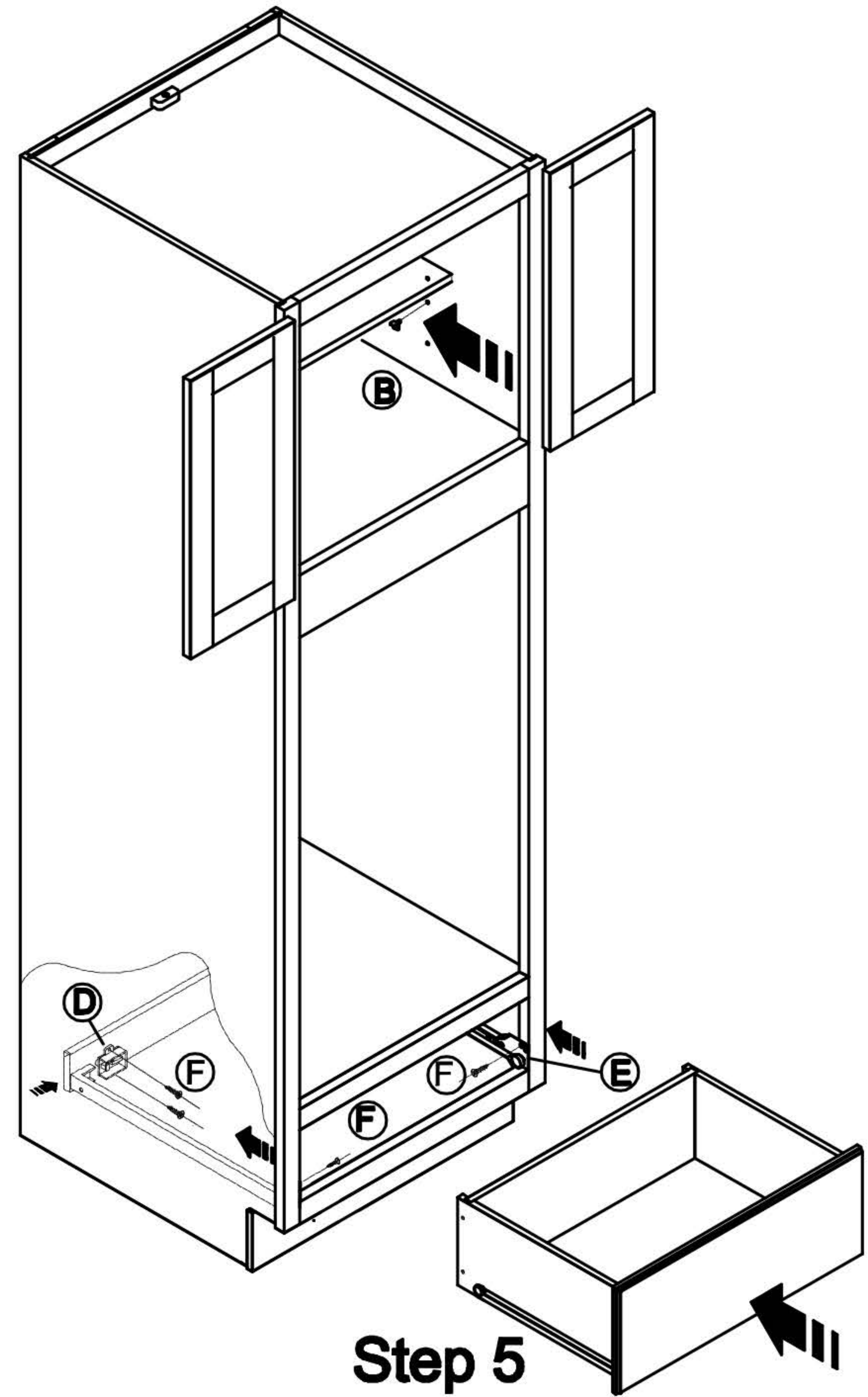
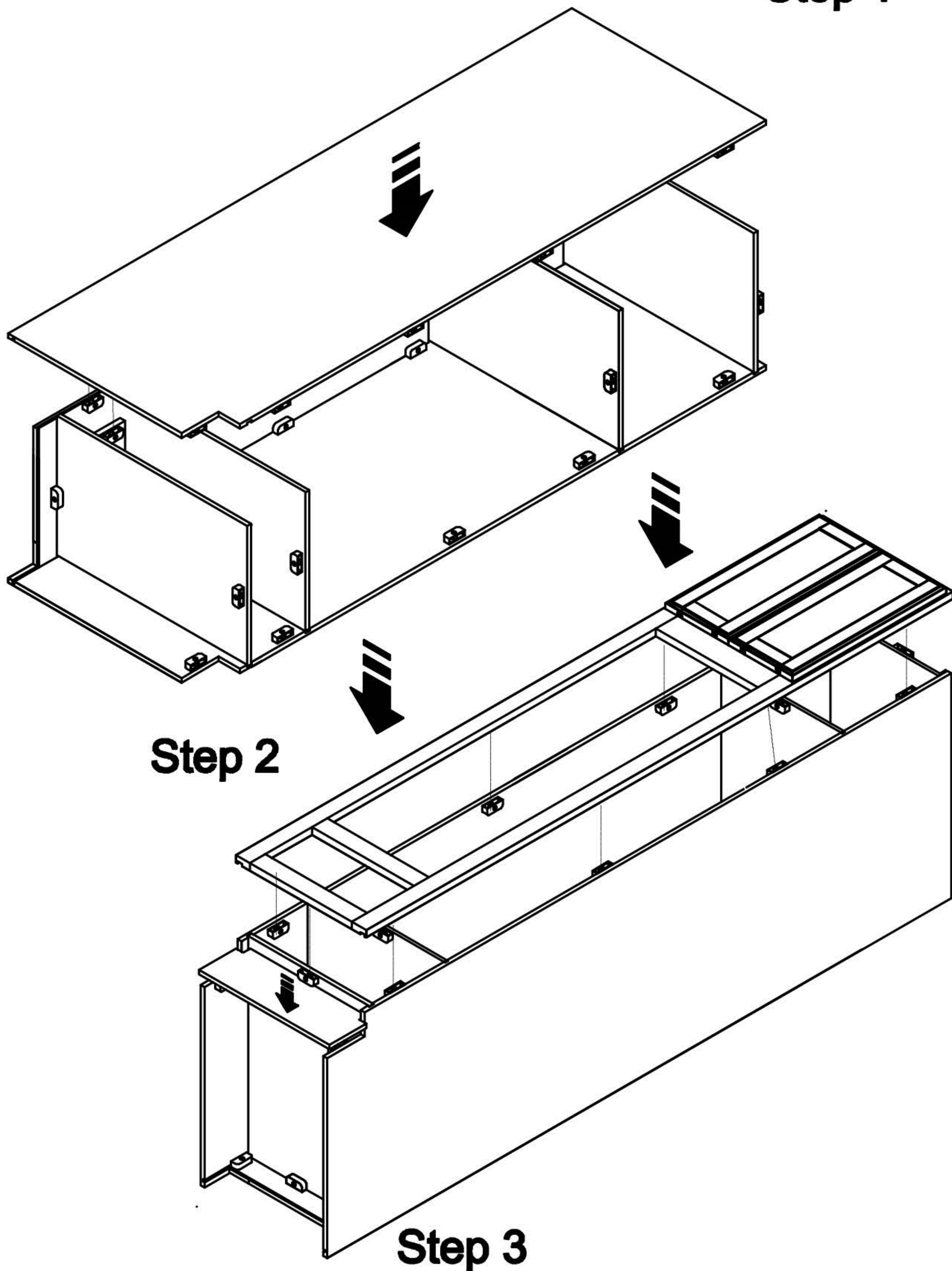
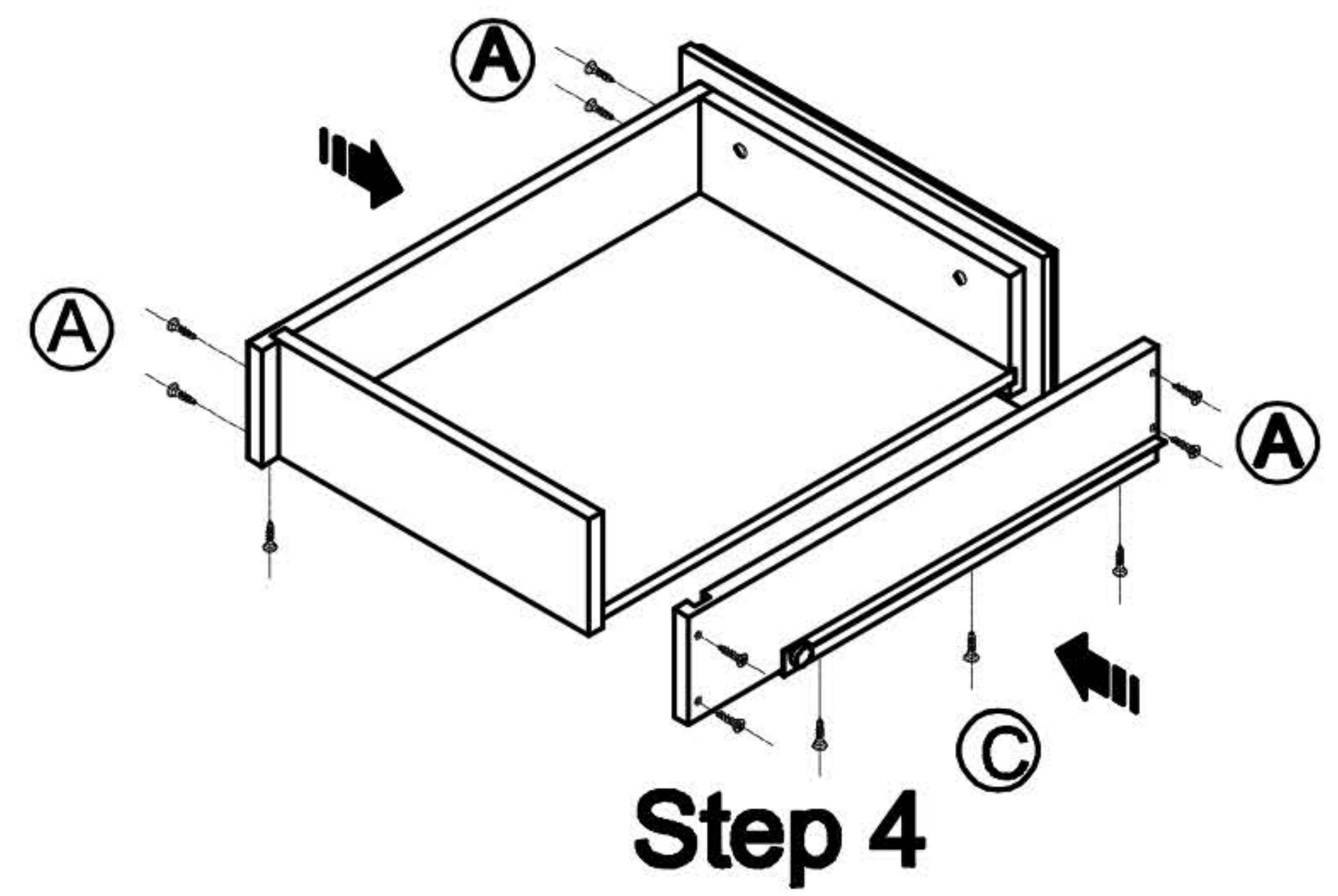
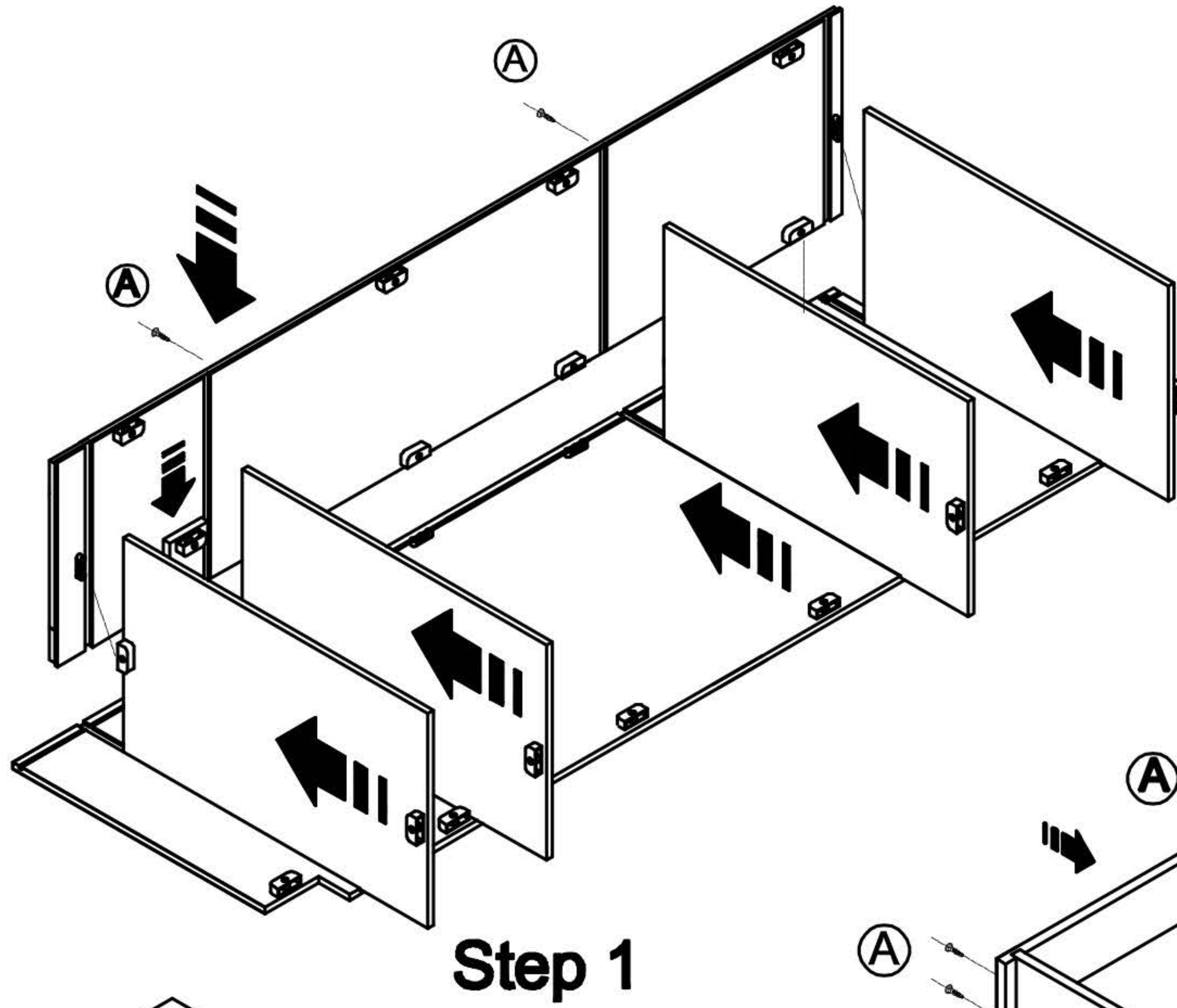
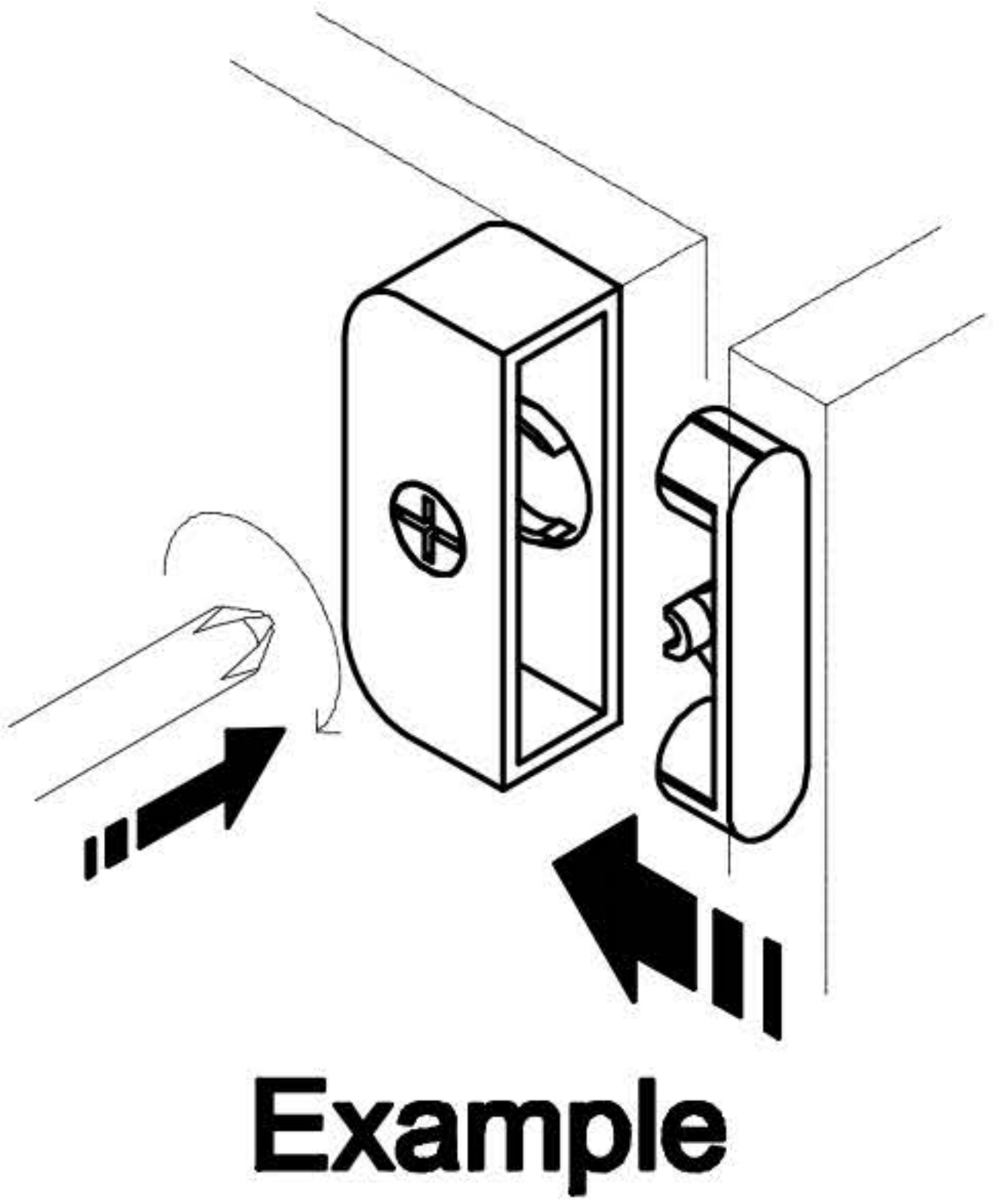


# LORY CABINETS

## Mocha Shaker Pg. 28

Code	A	B	C	D	E	F
Icon						
Number	12PS	4PS	6PS	2PS	2PS	5/8" 6PS

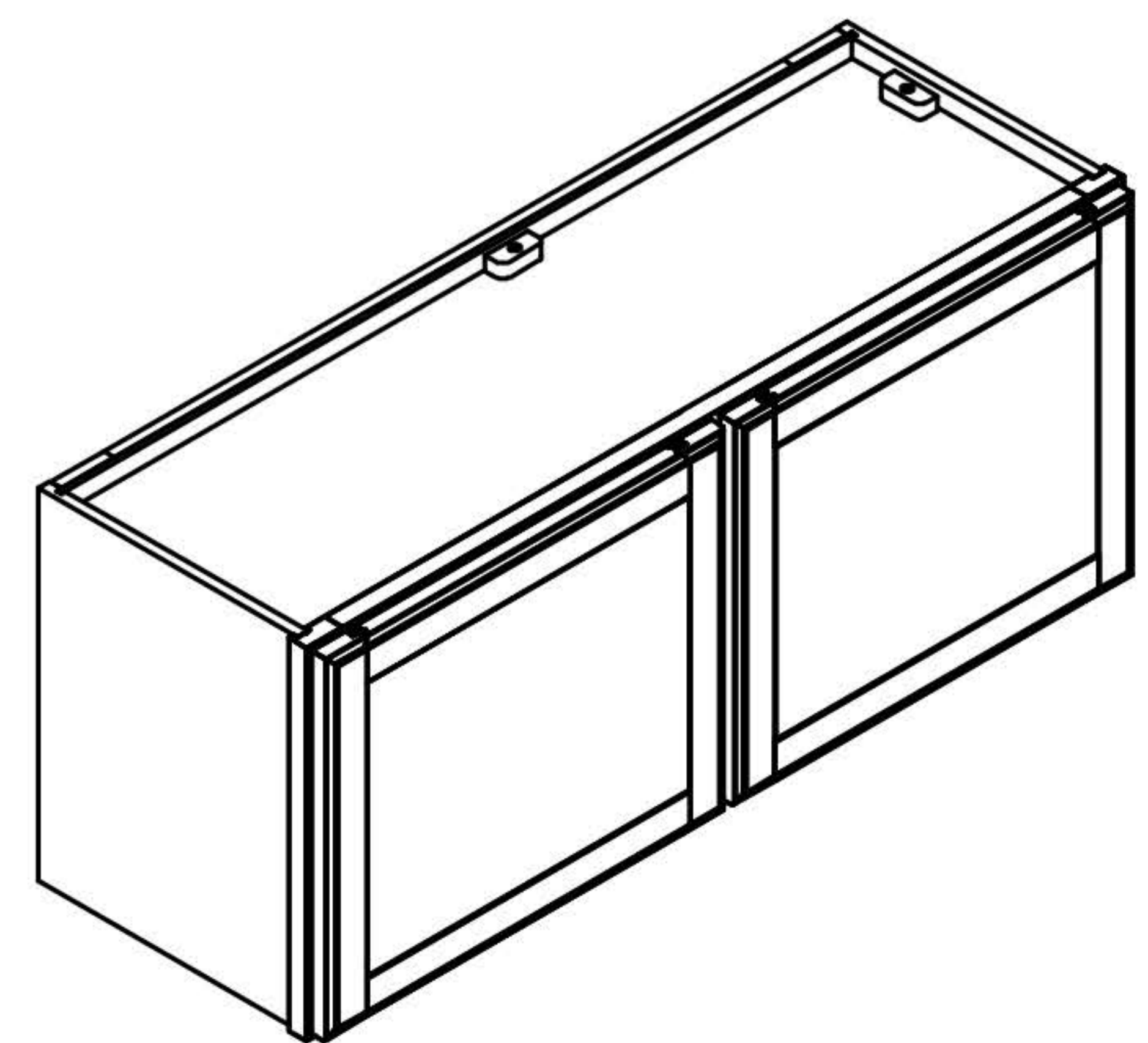
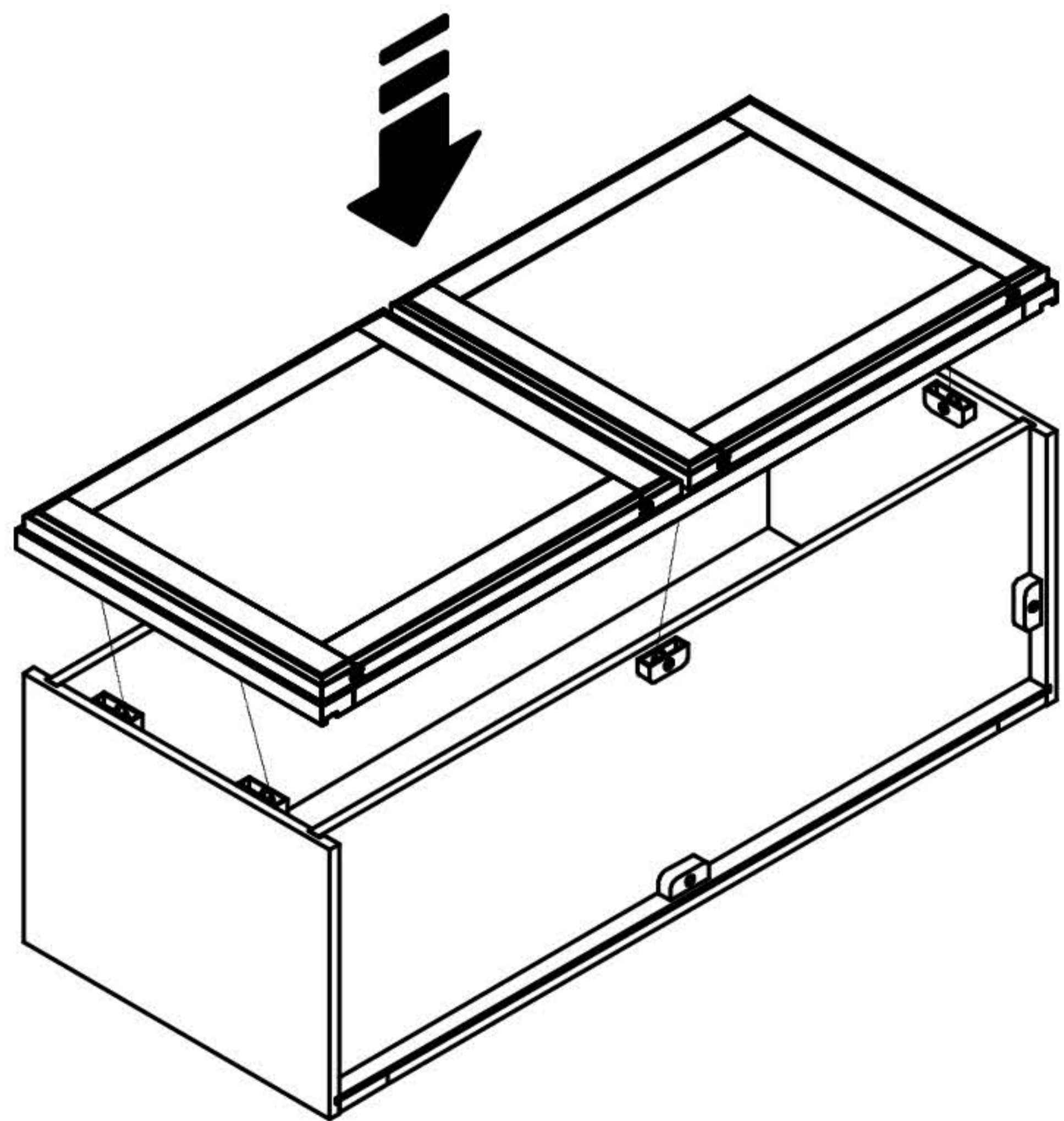
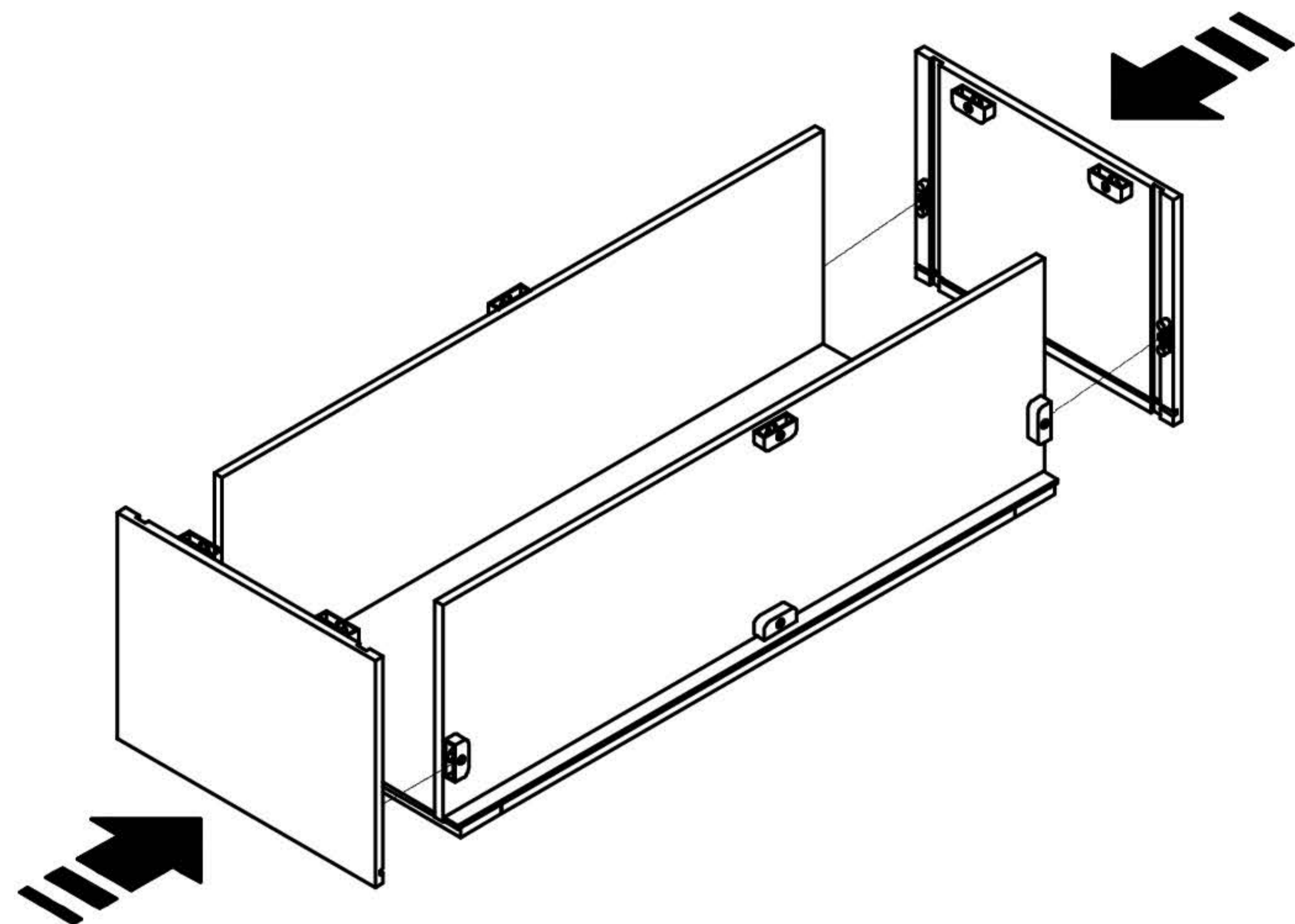
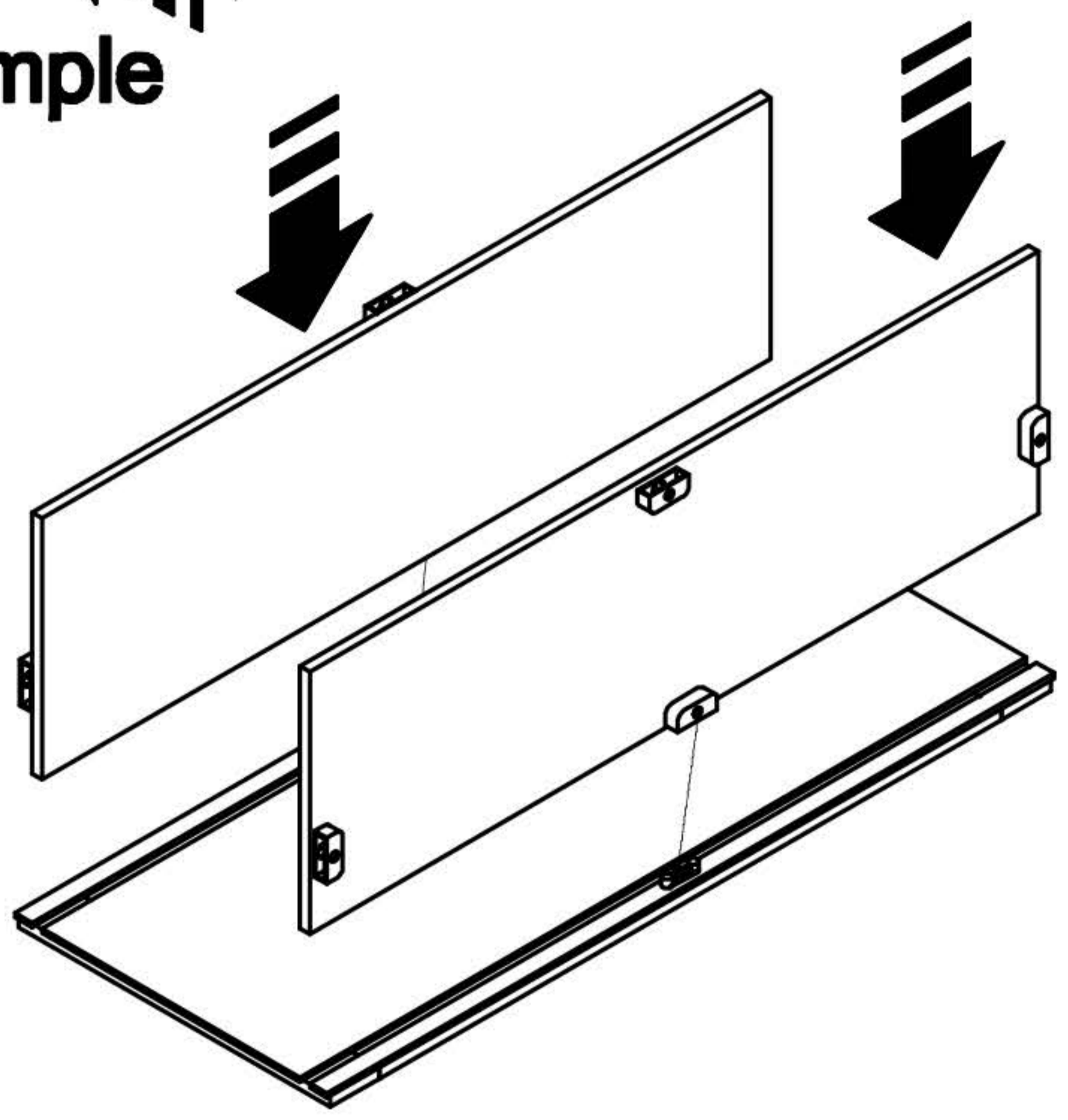
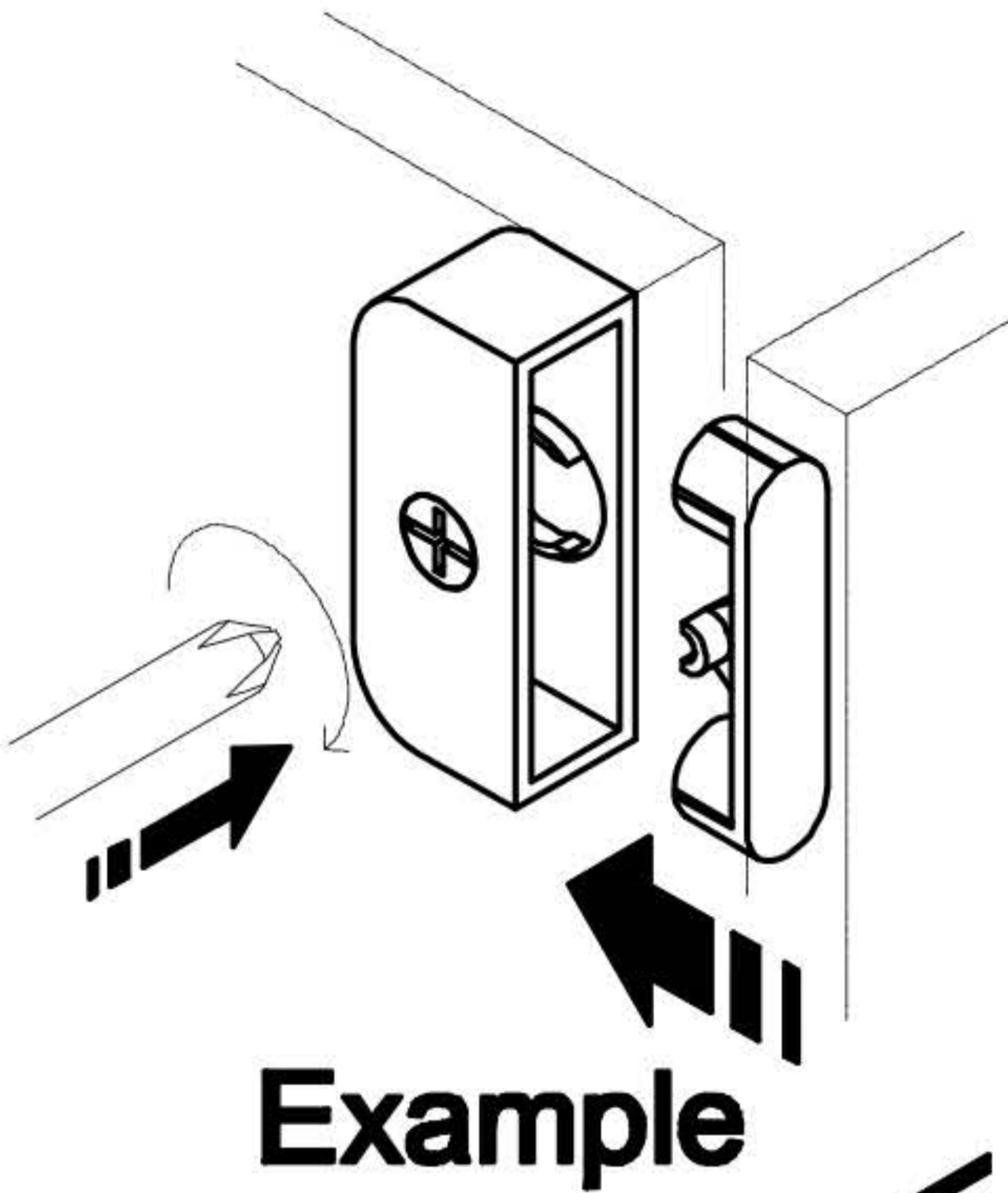
OD3396-27



# LORY CABINETS

## Mocha Shaker Pg. 29

W3912, W3612, W3312, W3012  
W3915, W3615, W3315, W3015  
W3918, W3618, W3318, W3018

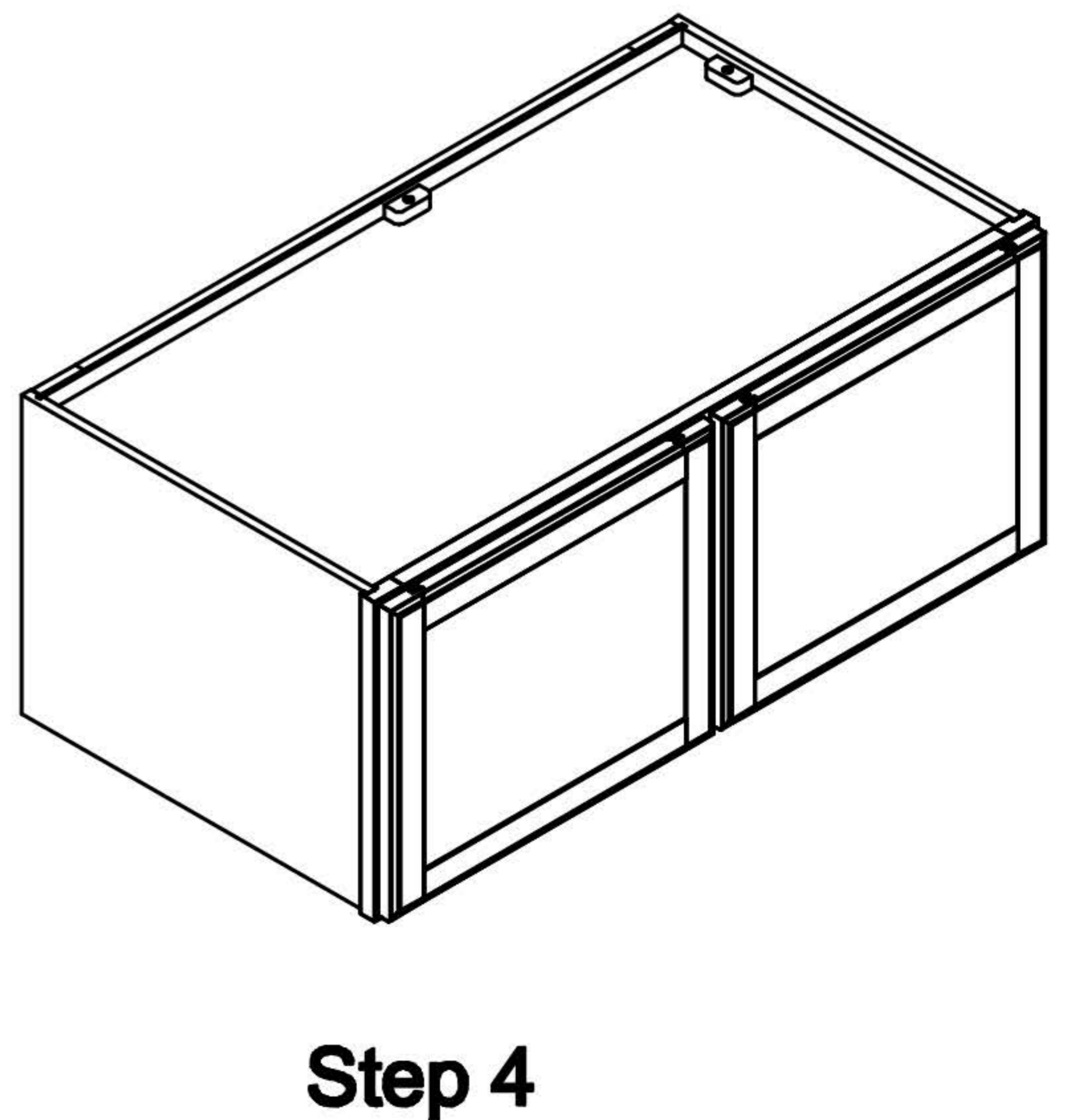
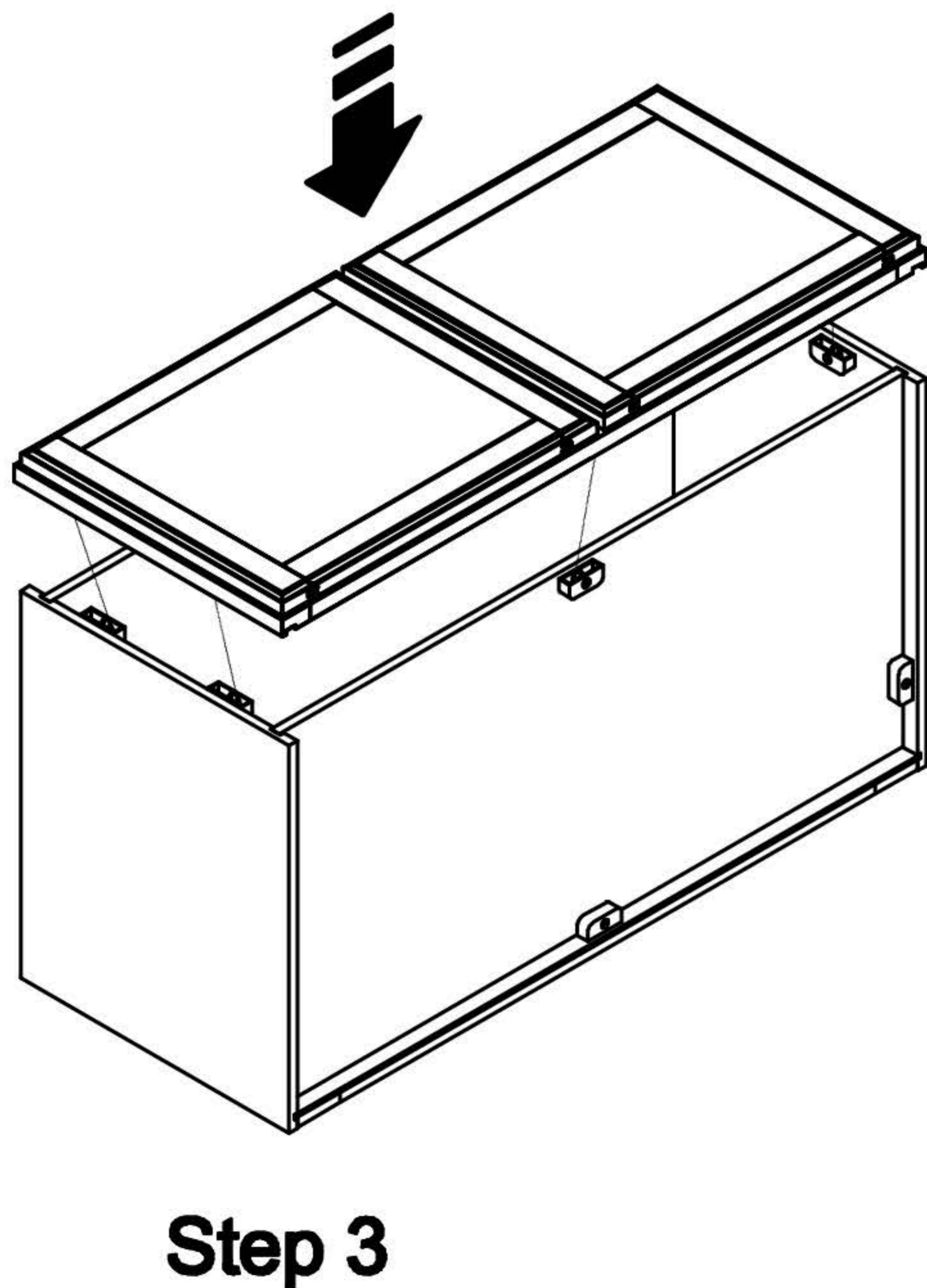
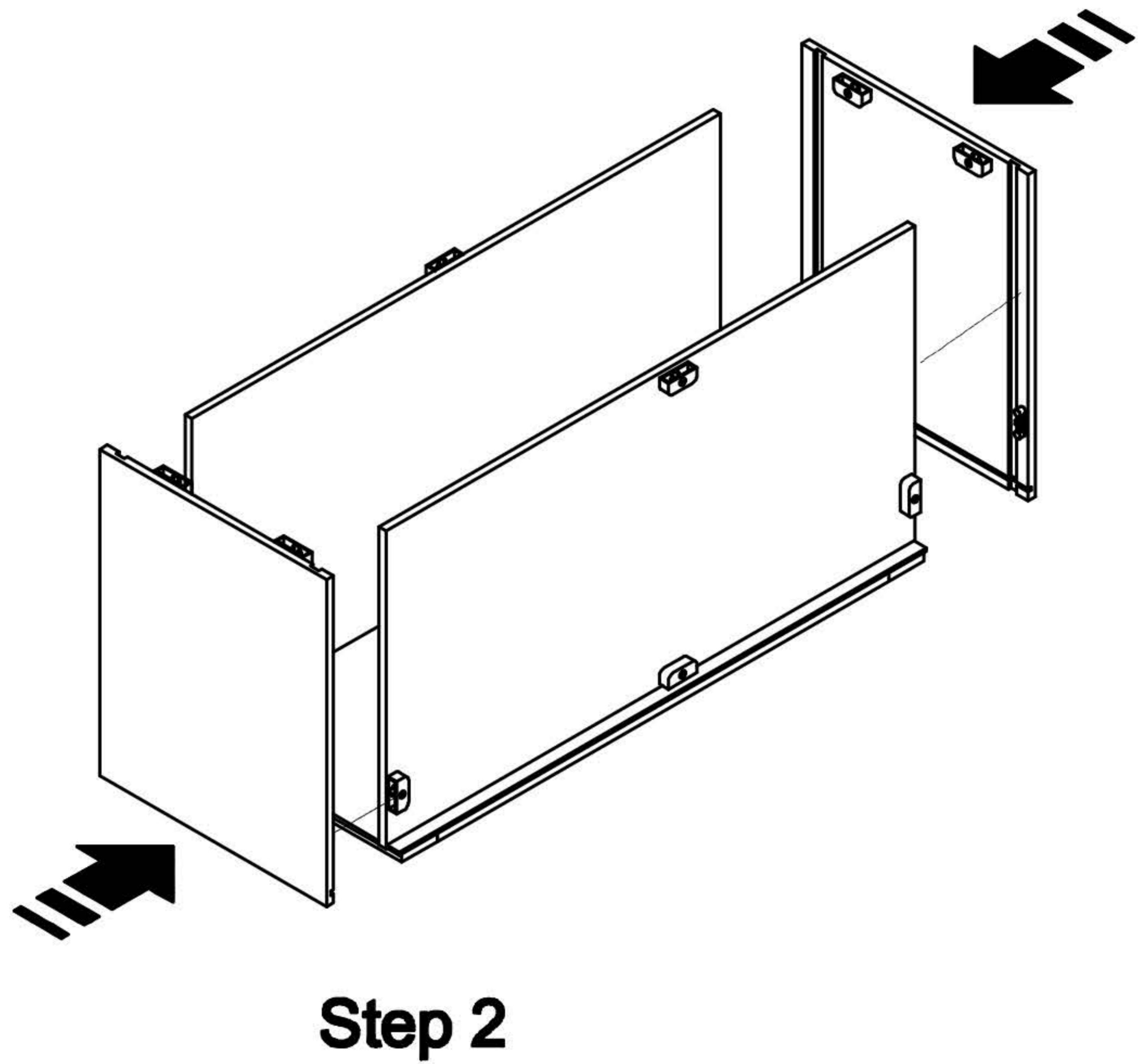
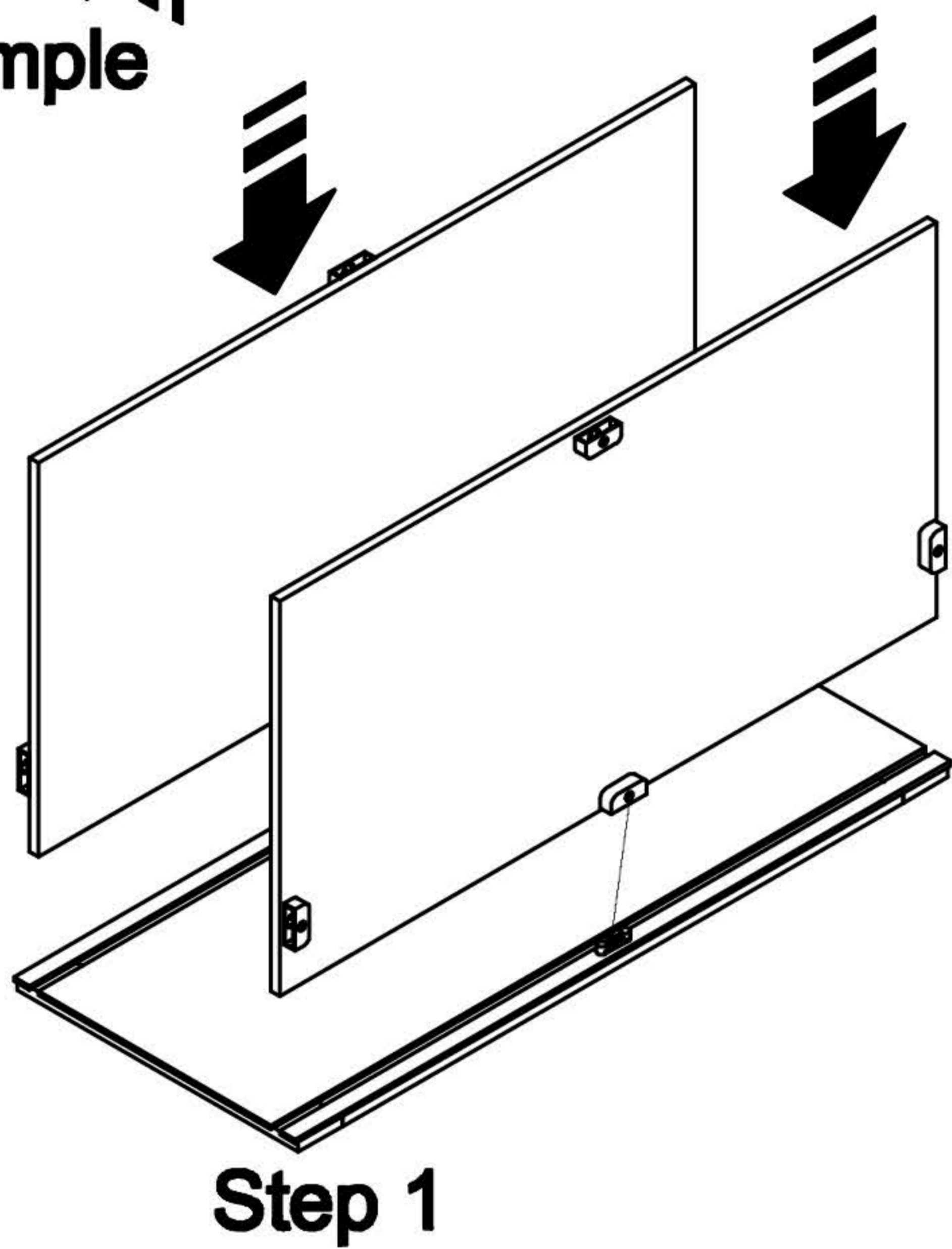
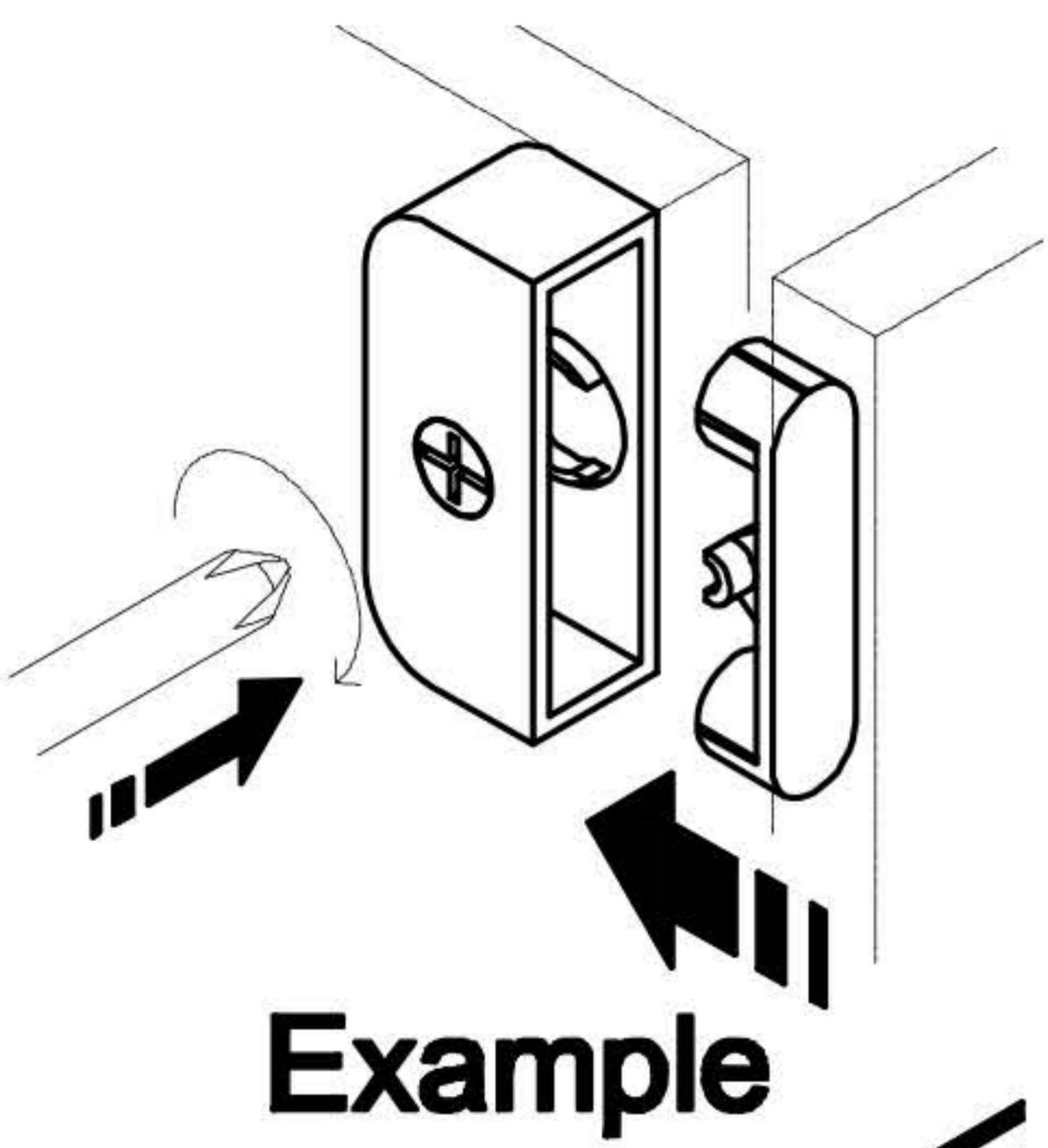


# LORY CABINETS

## Mocha Shaker


Pg. 30

W391224, W361224, W331224, W301224  
W391524, W361524, W331524, W301524  
W391824, W361824, W331824, W301824

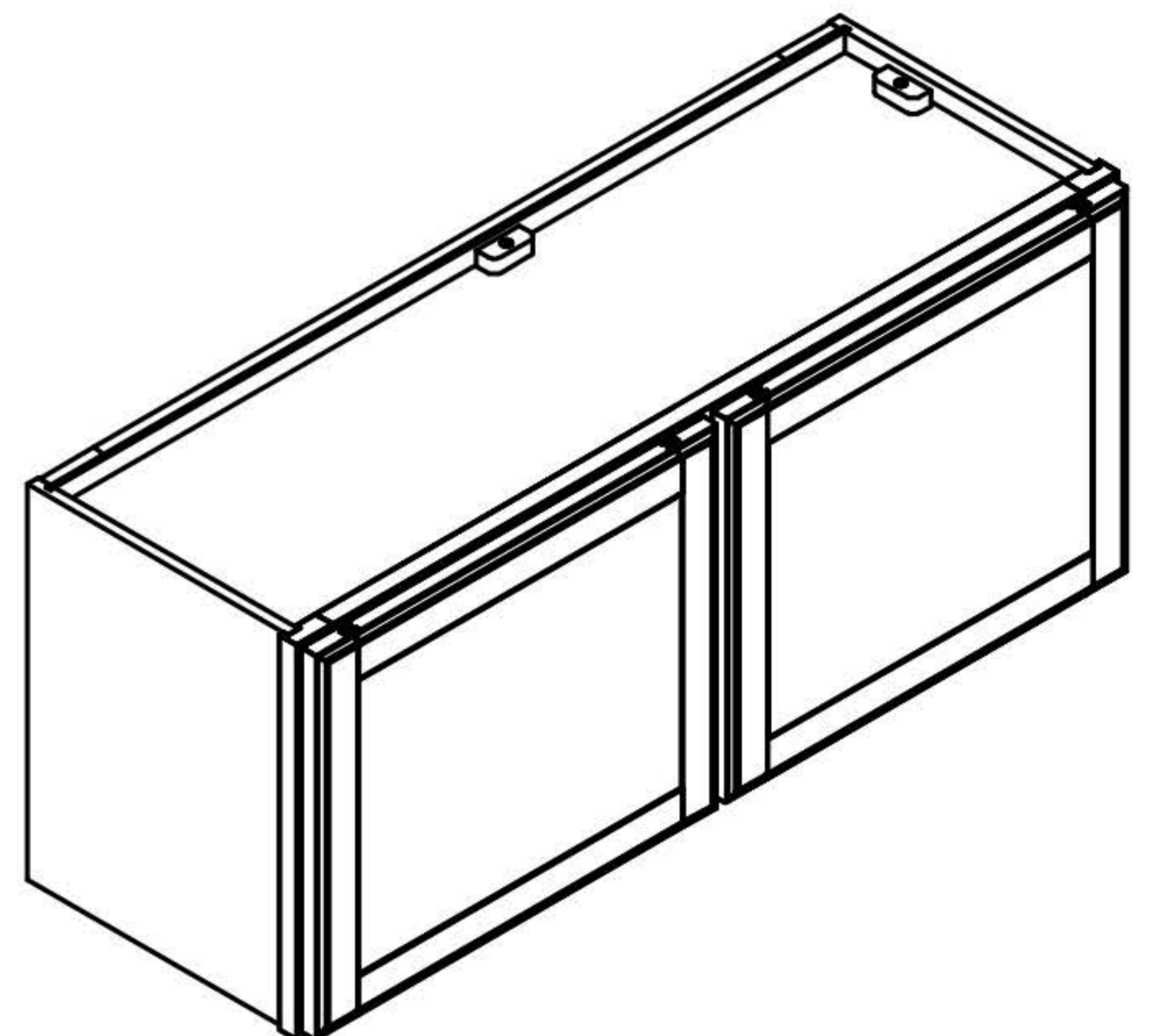
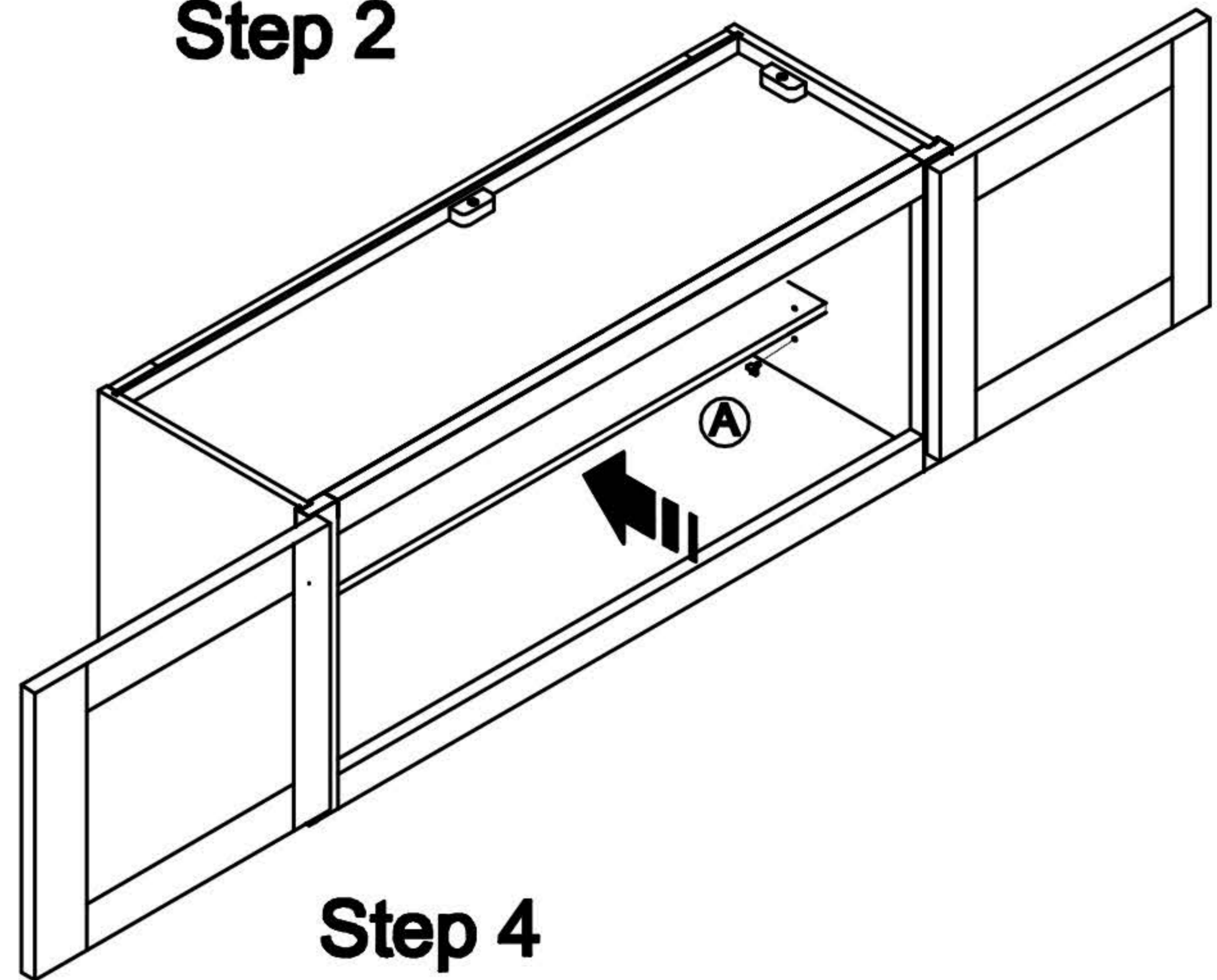
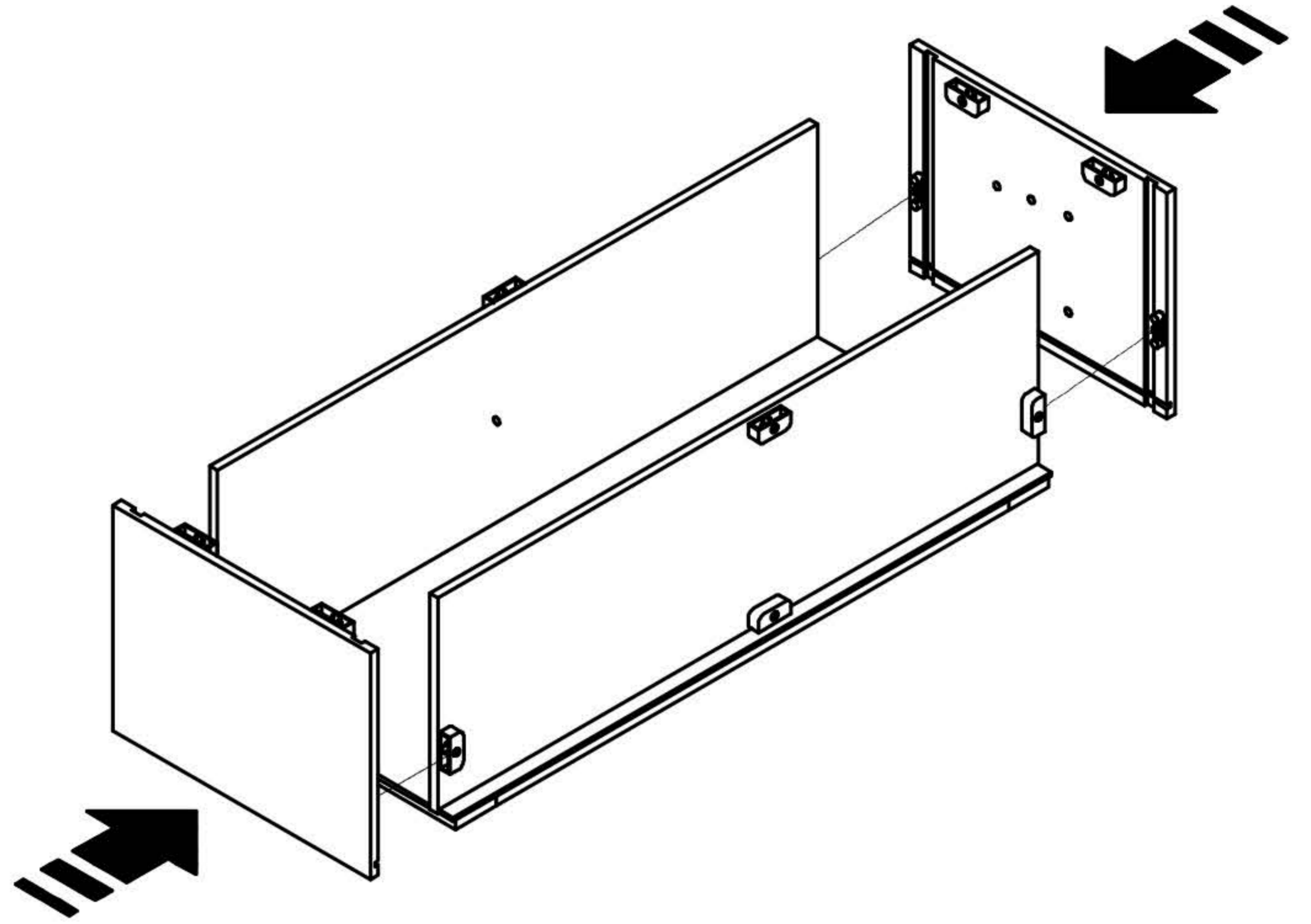
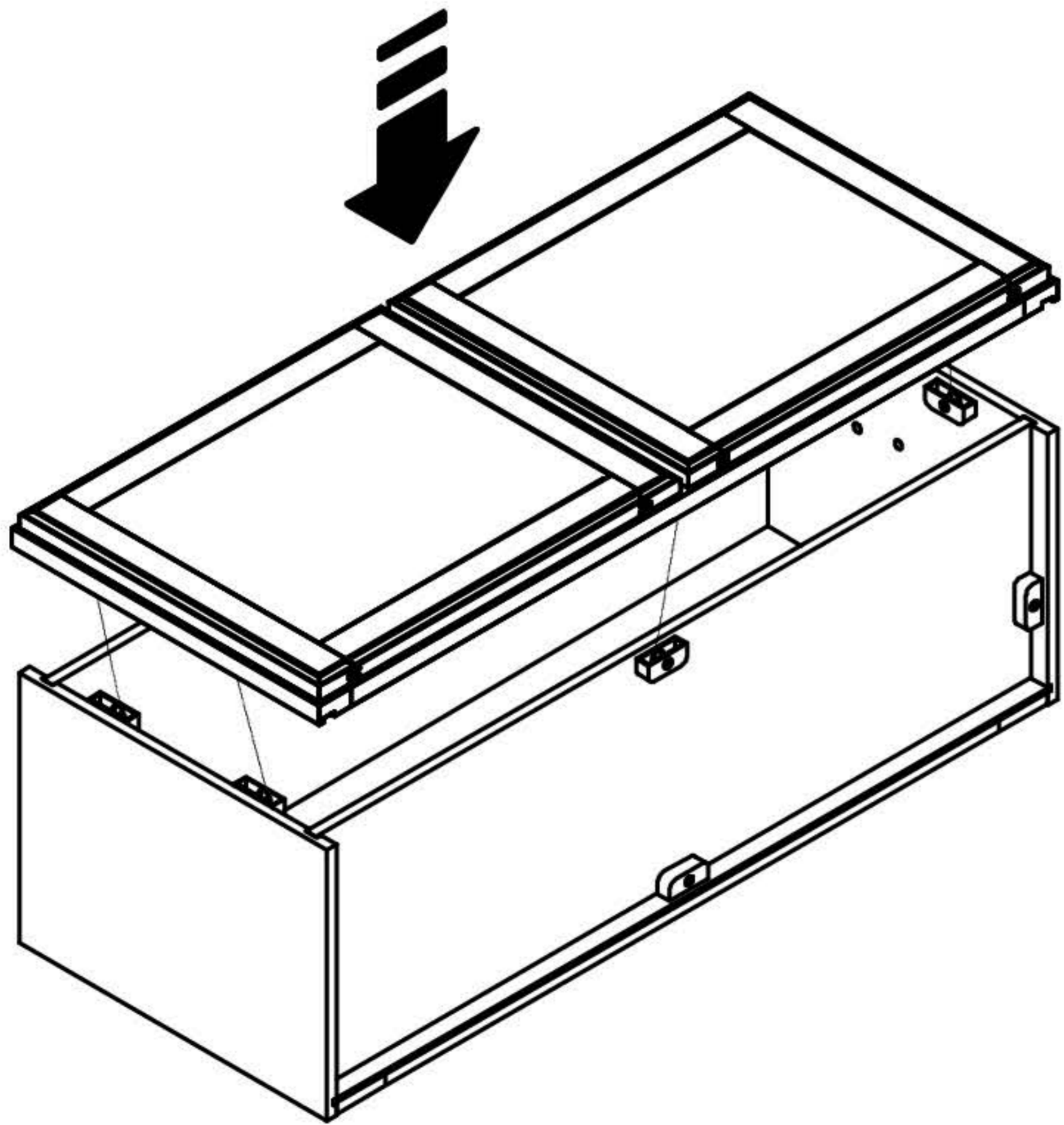
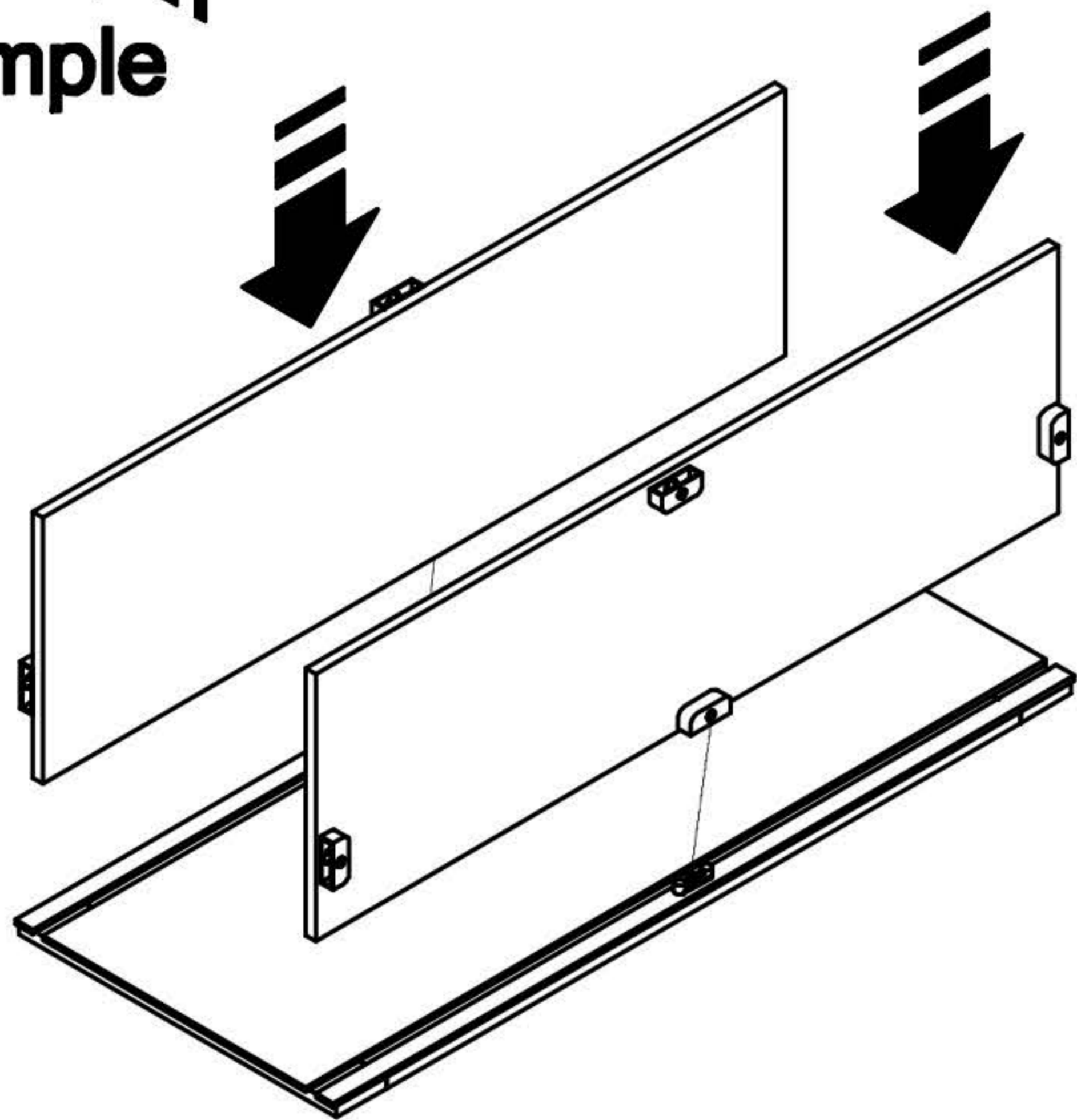
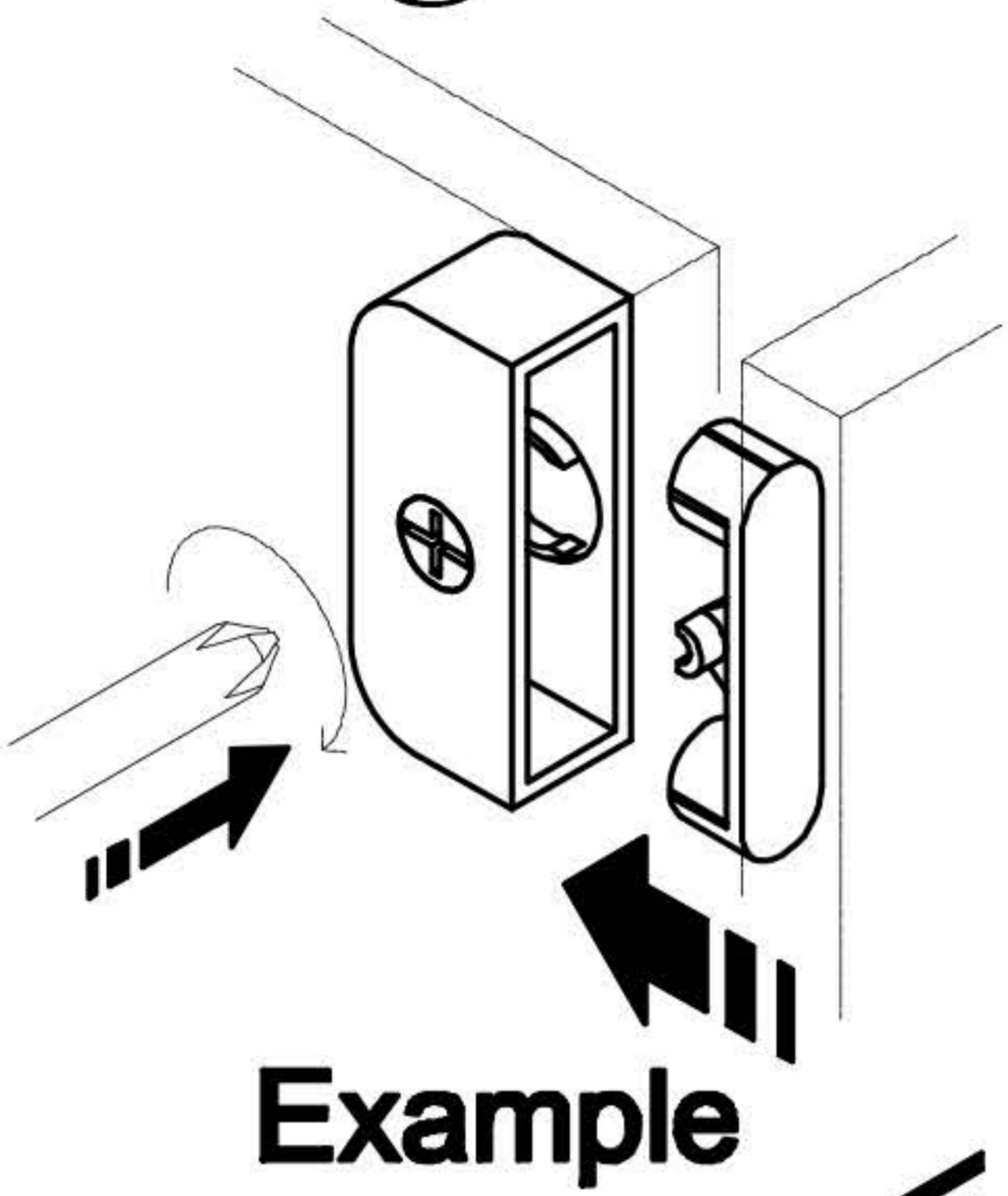


# LORY CABINETS


## Mocha Shaker Pg. 31

Code	A
Icon	
Number	4PS

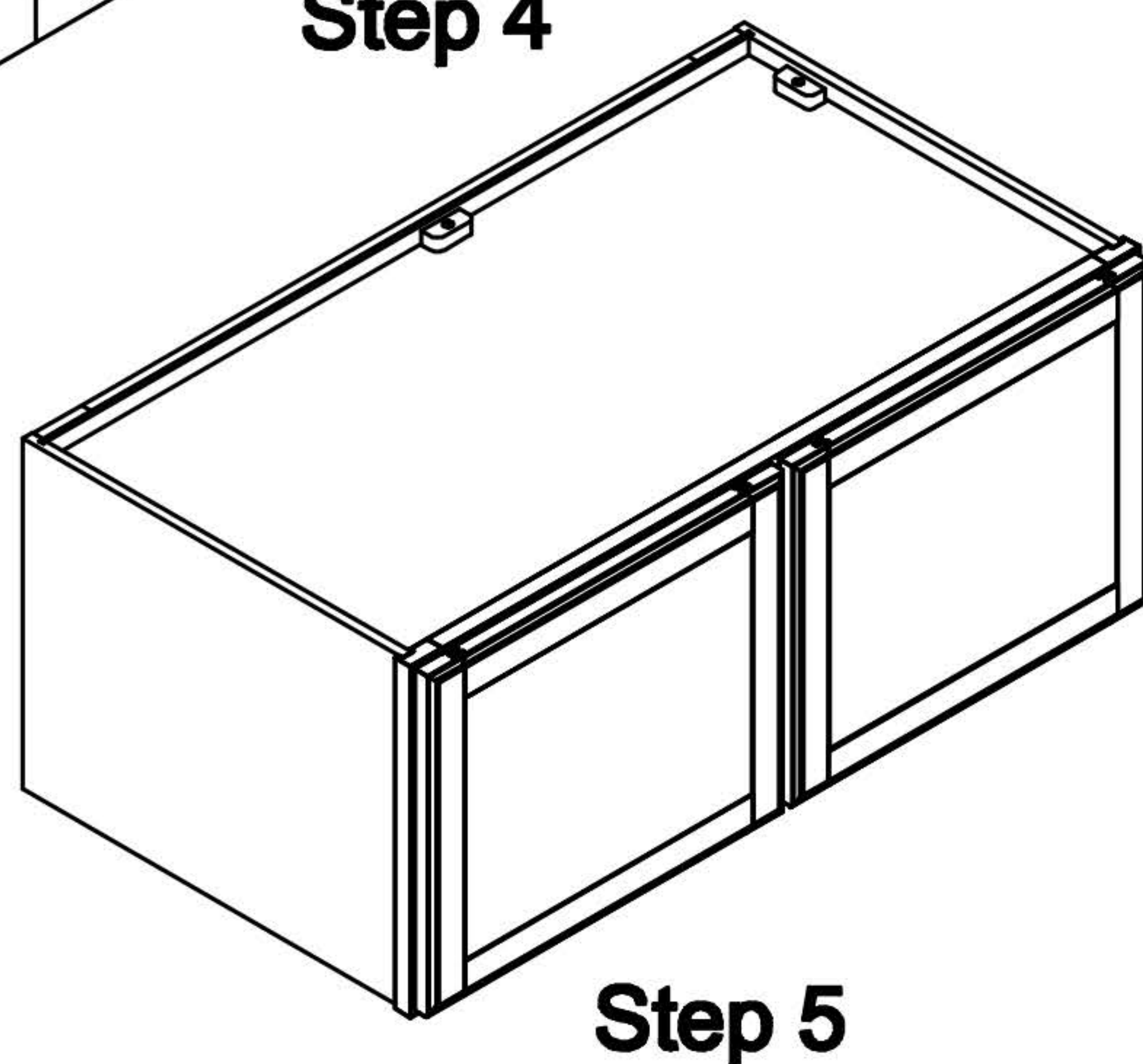
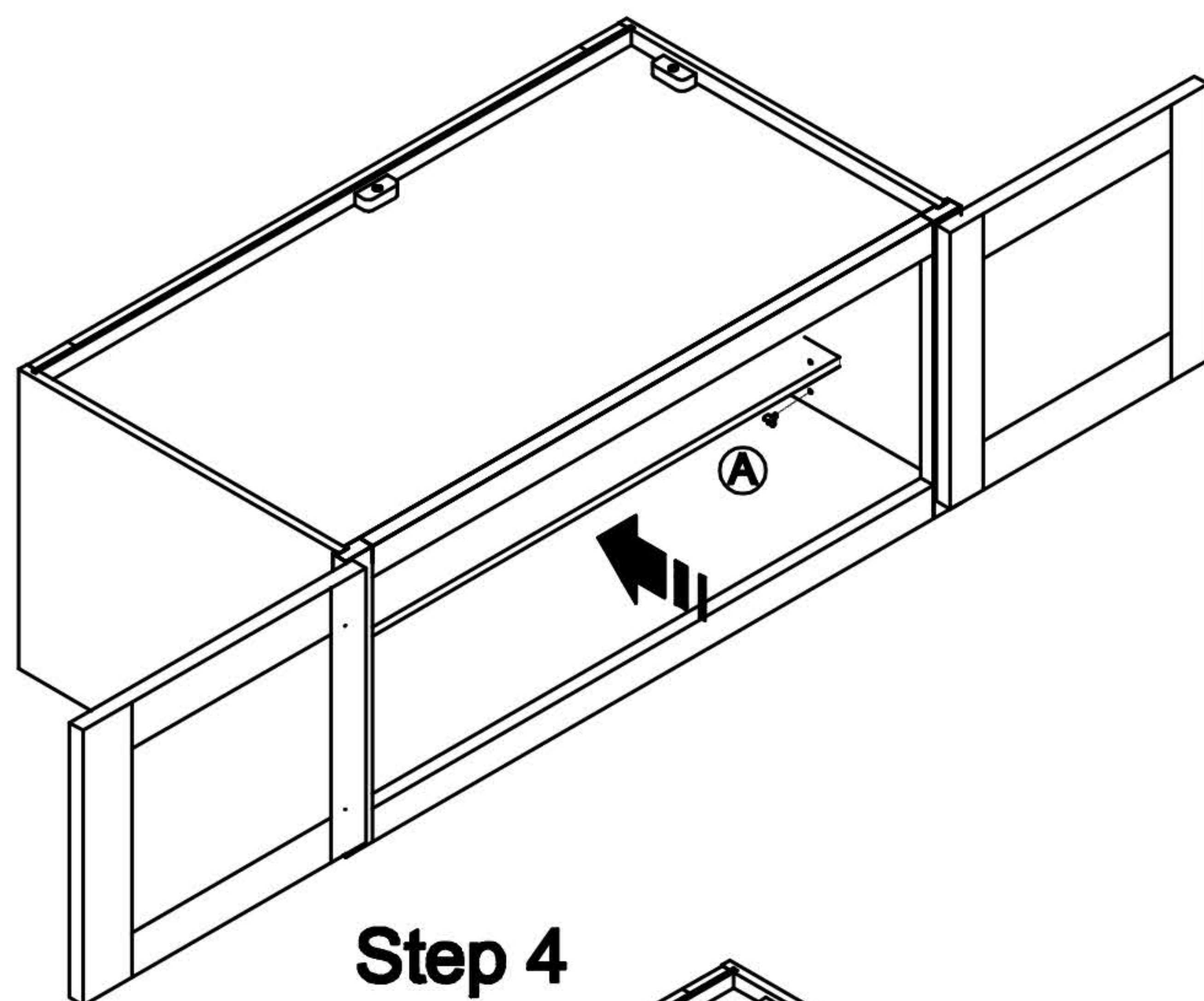
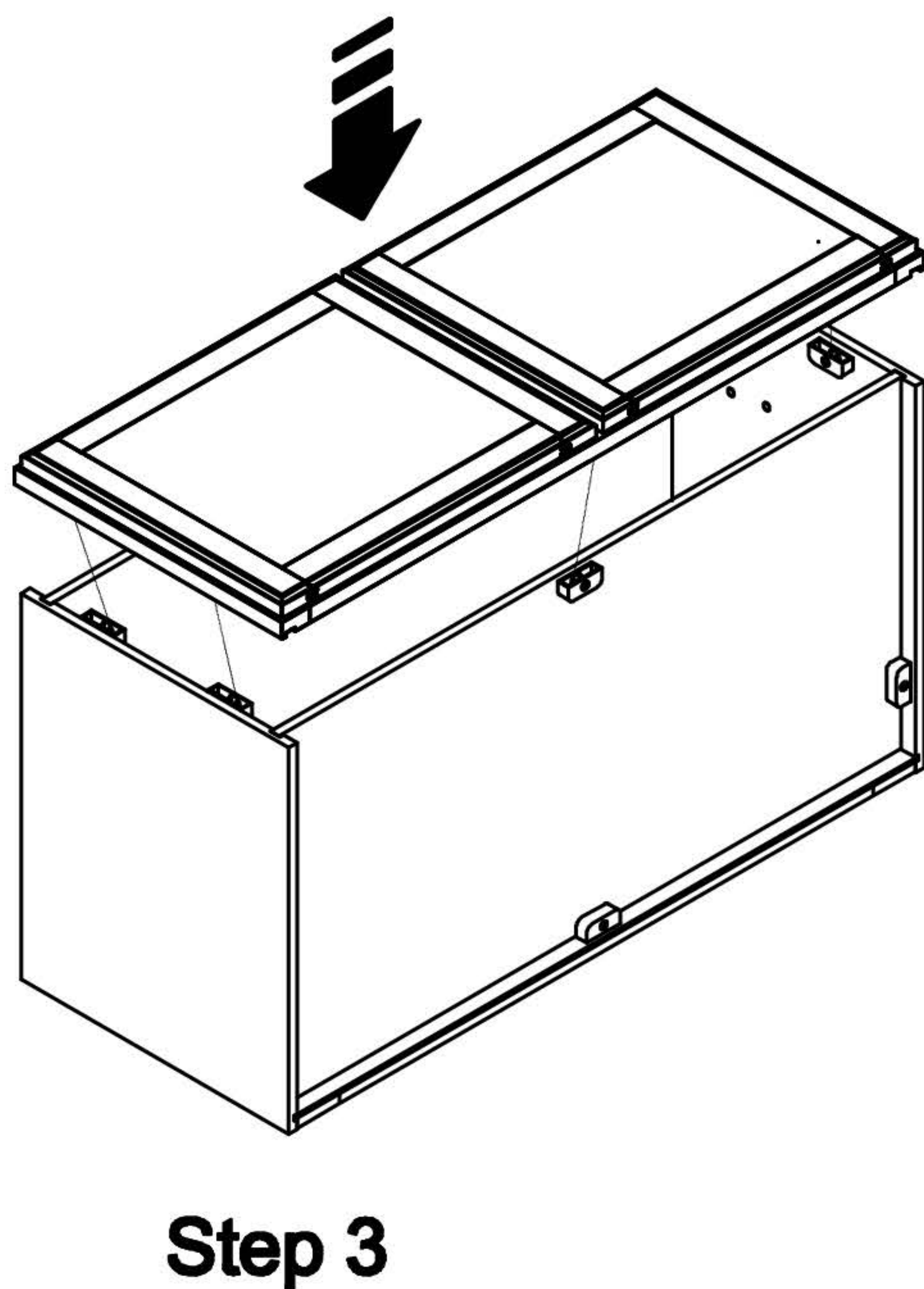
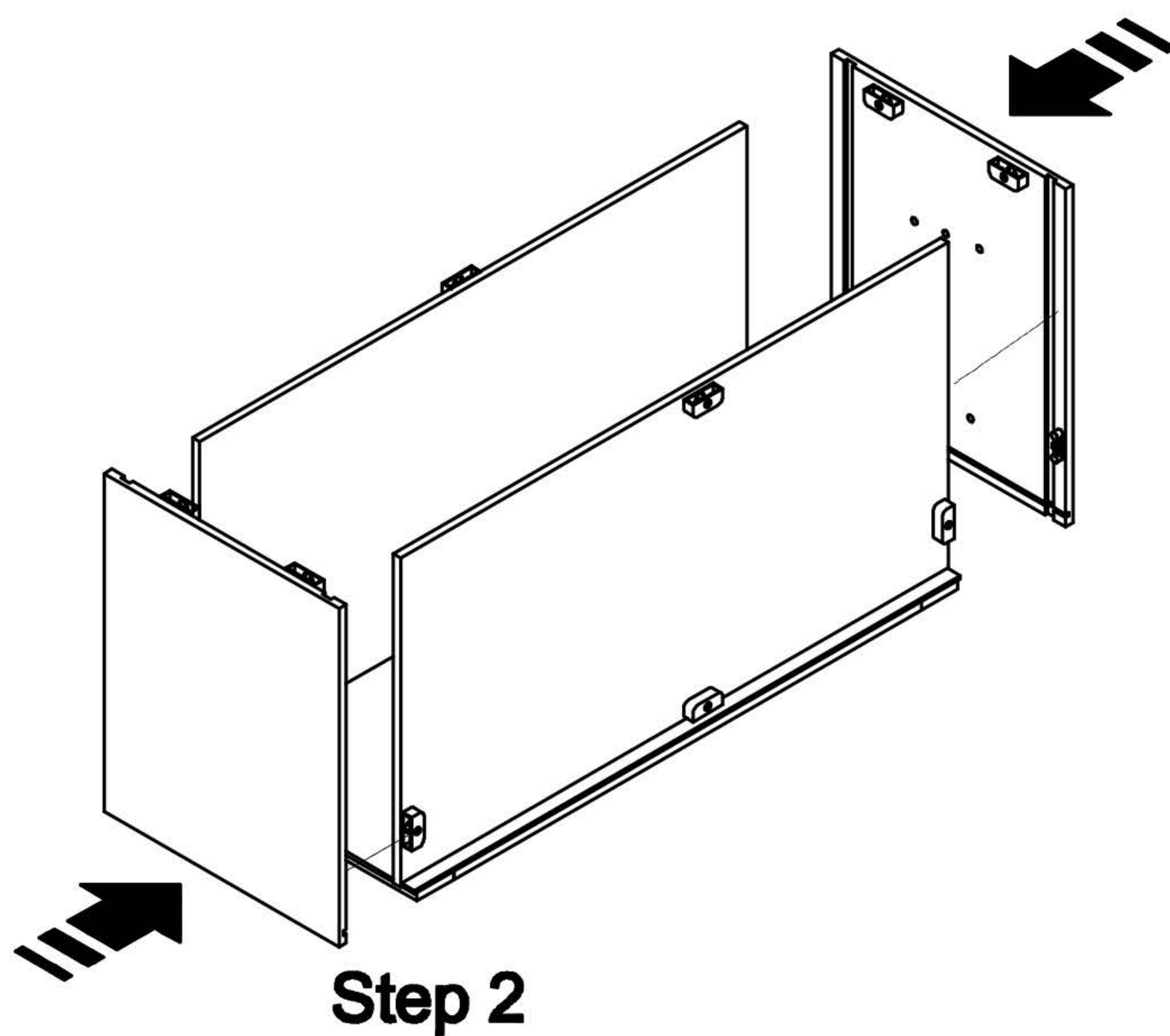
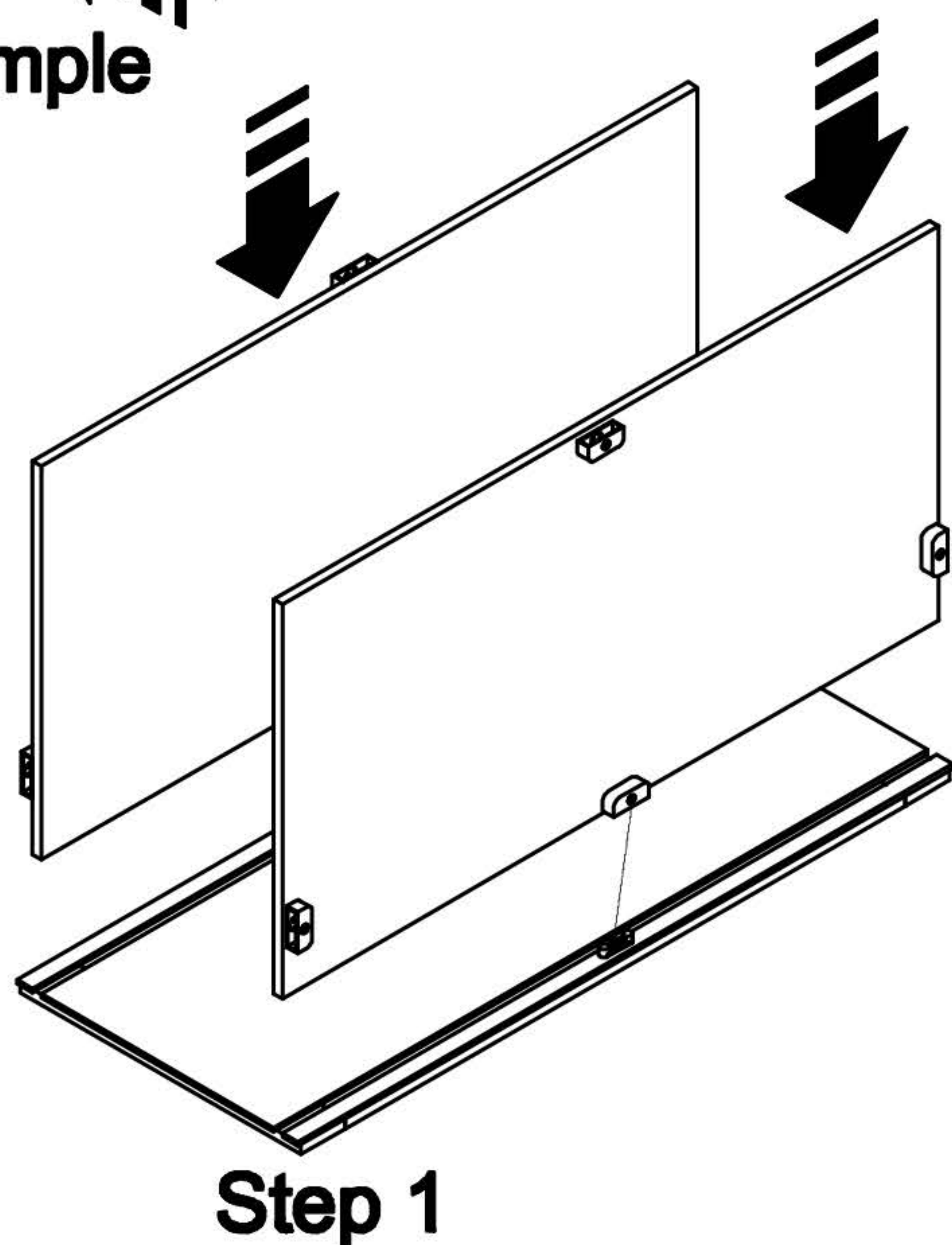
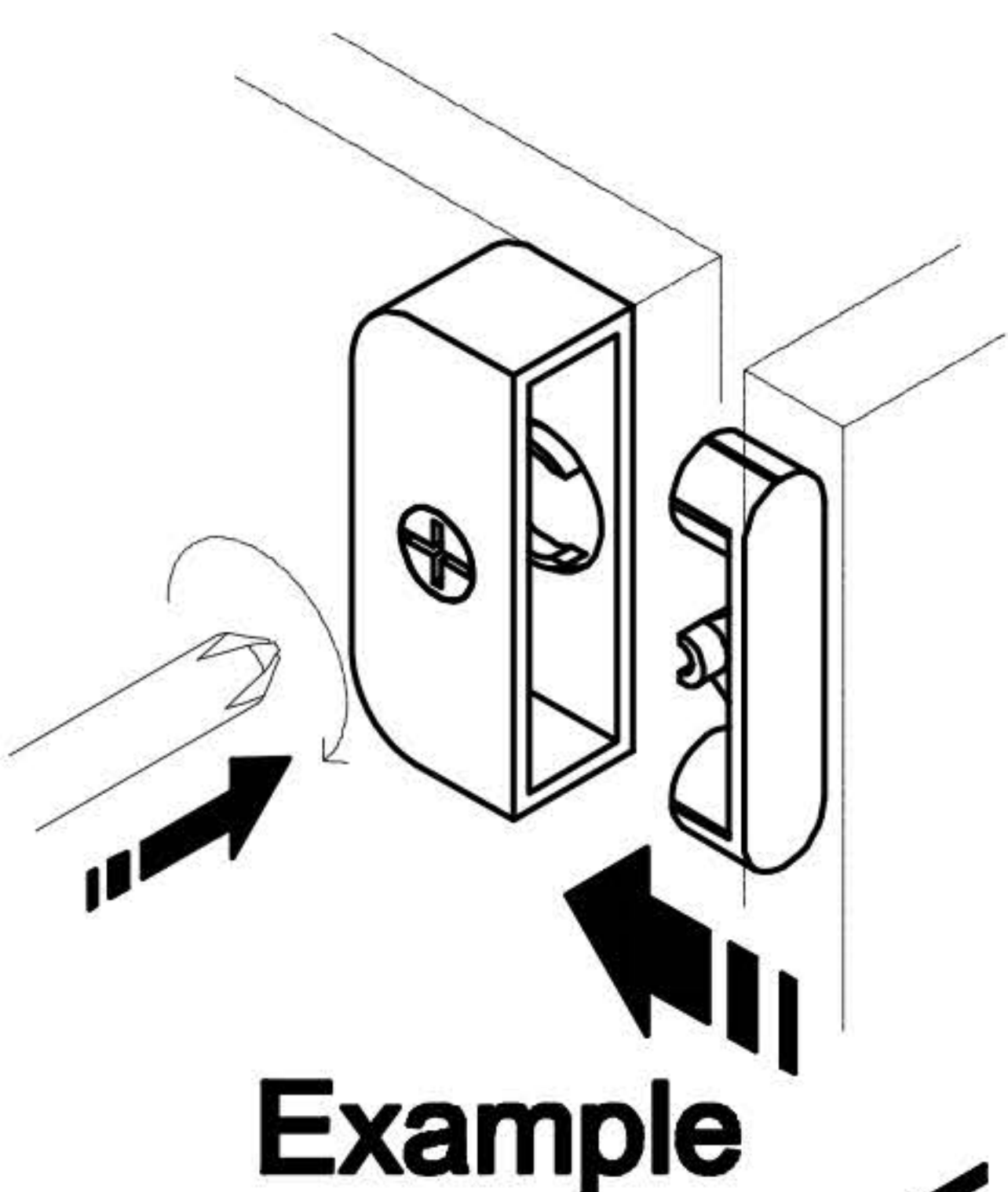
W3924, W3624, W3324, W3024



## Mocha Shaker Pg. 32


Code	A
Icon	
Number	4PS

W392424, W362424, W332424, W302424

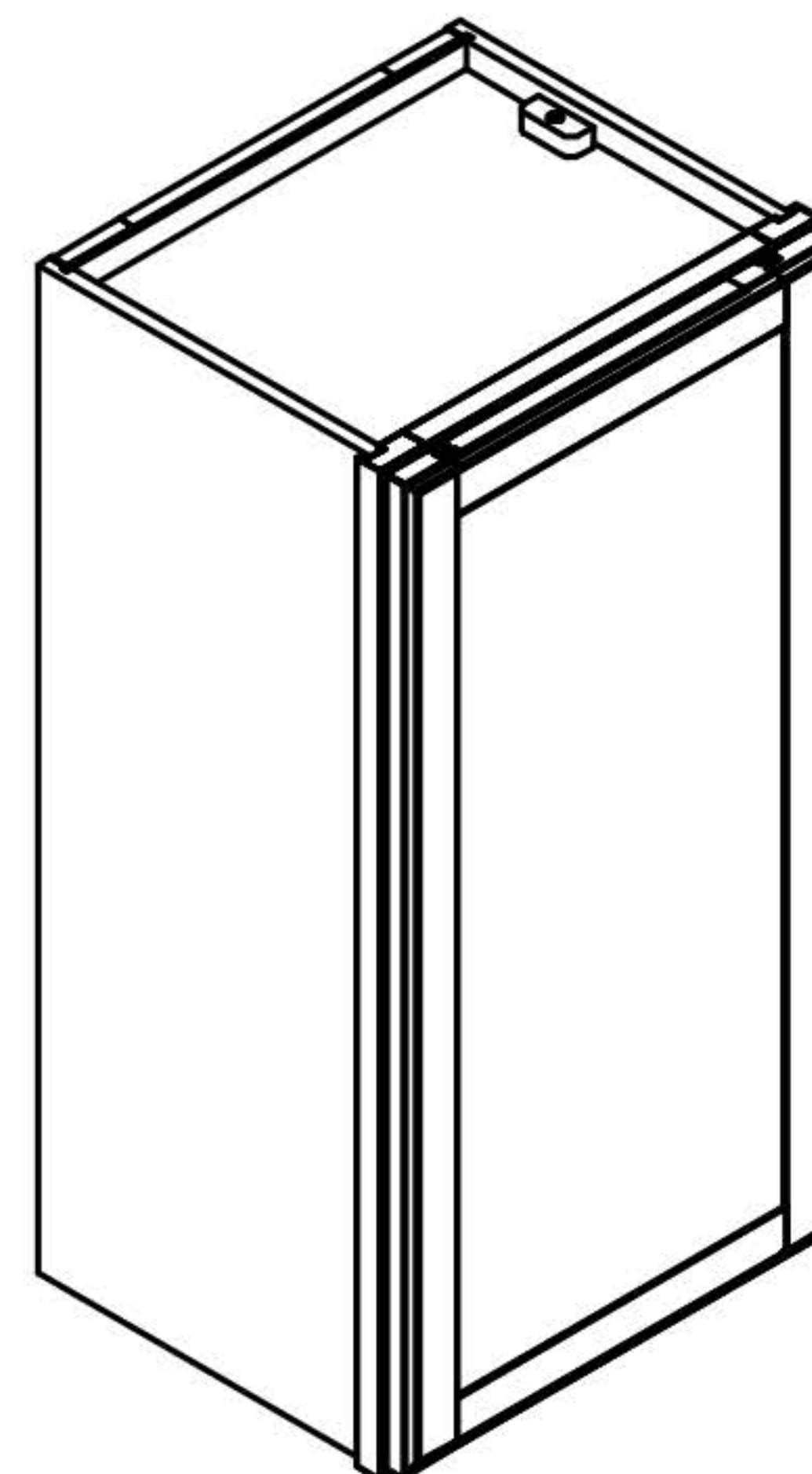
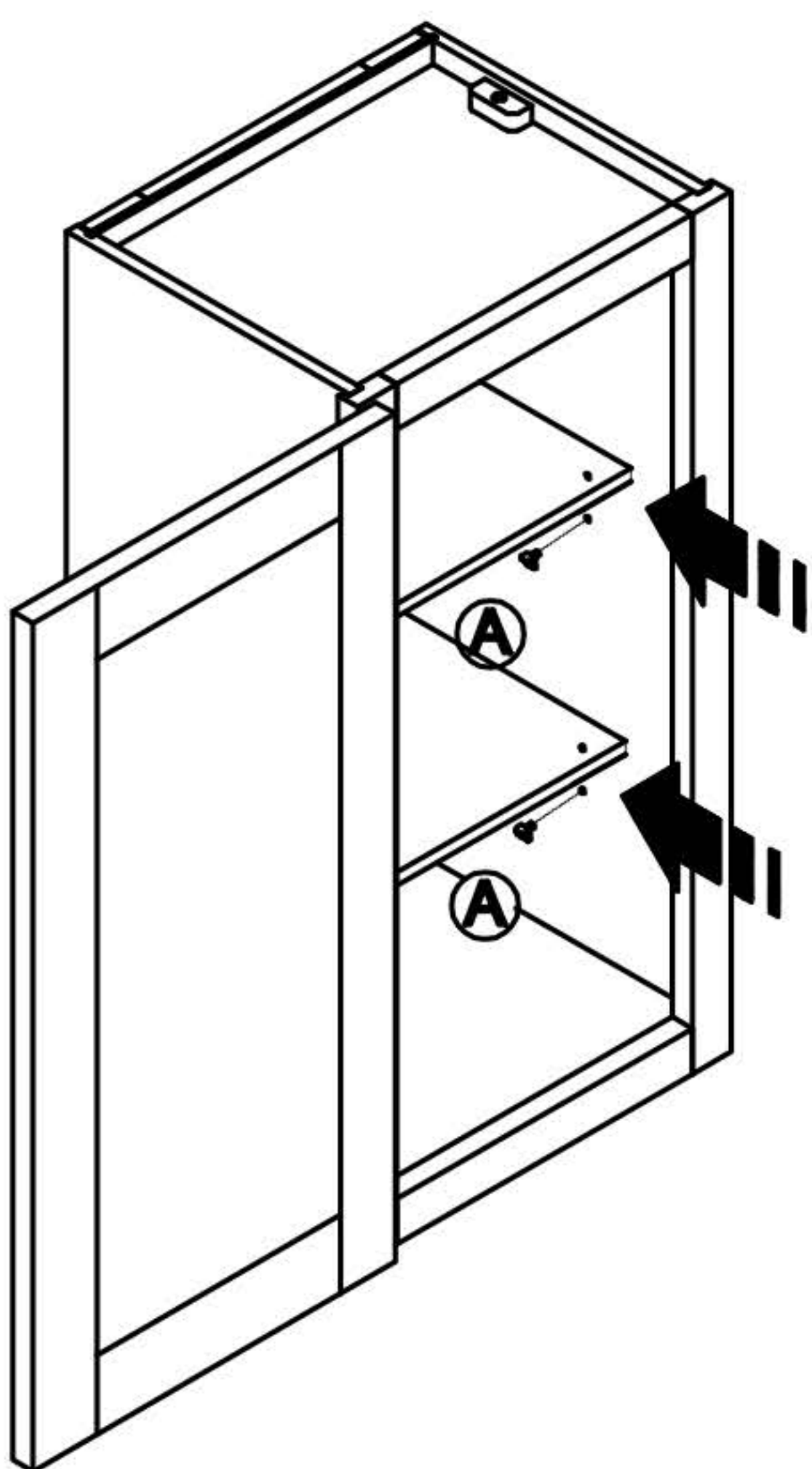
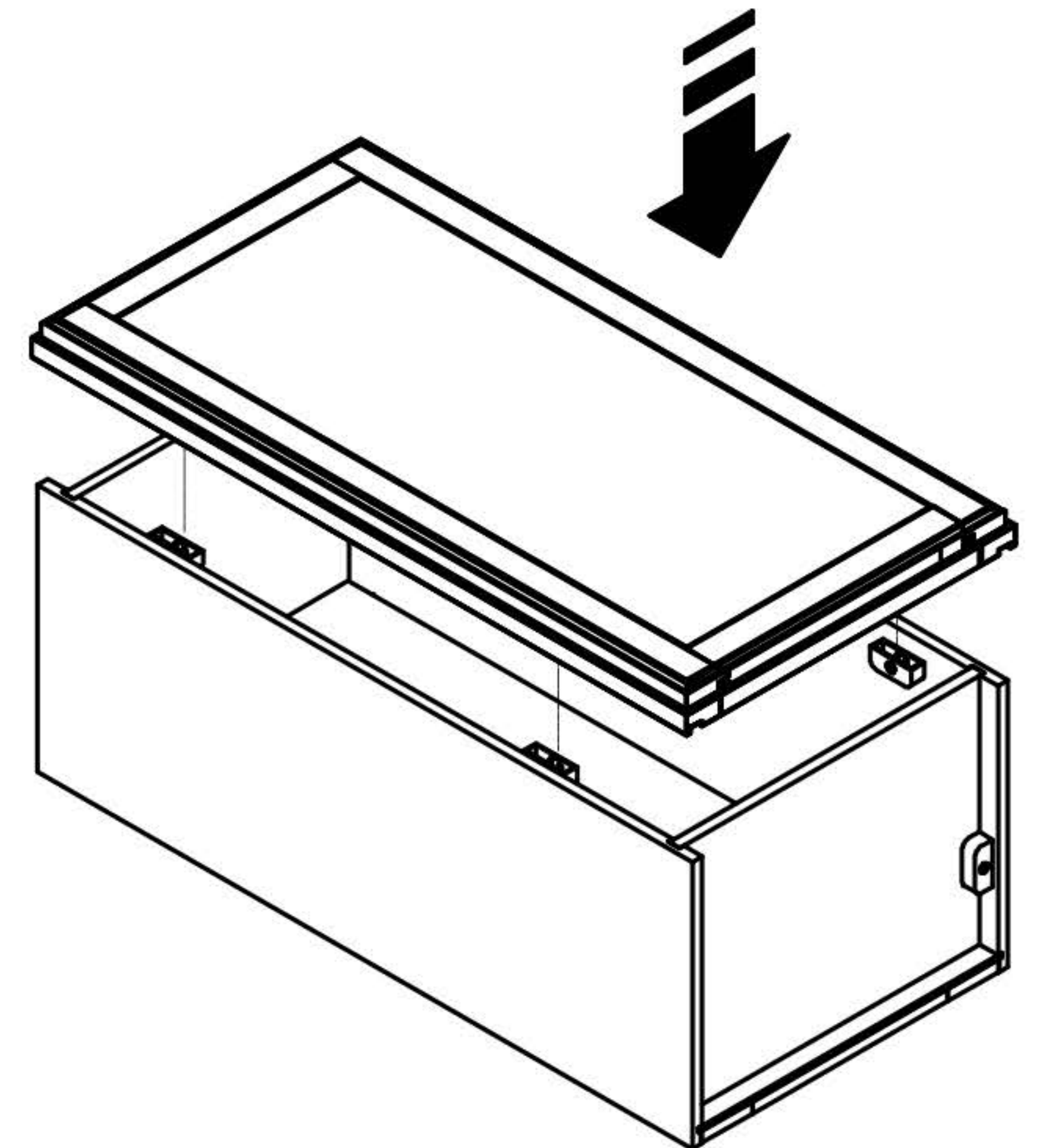
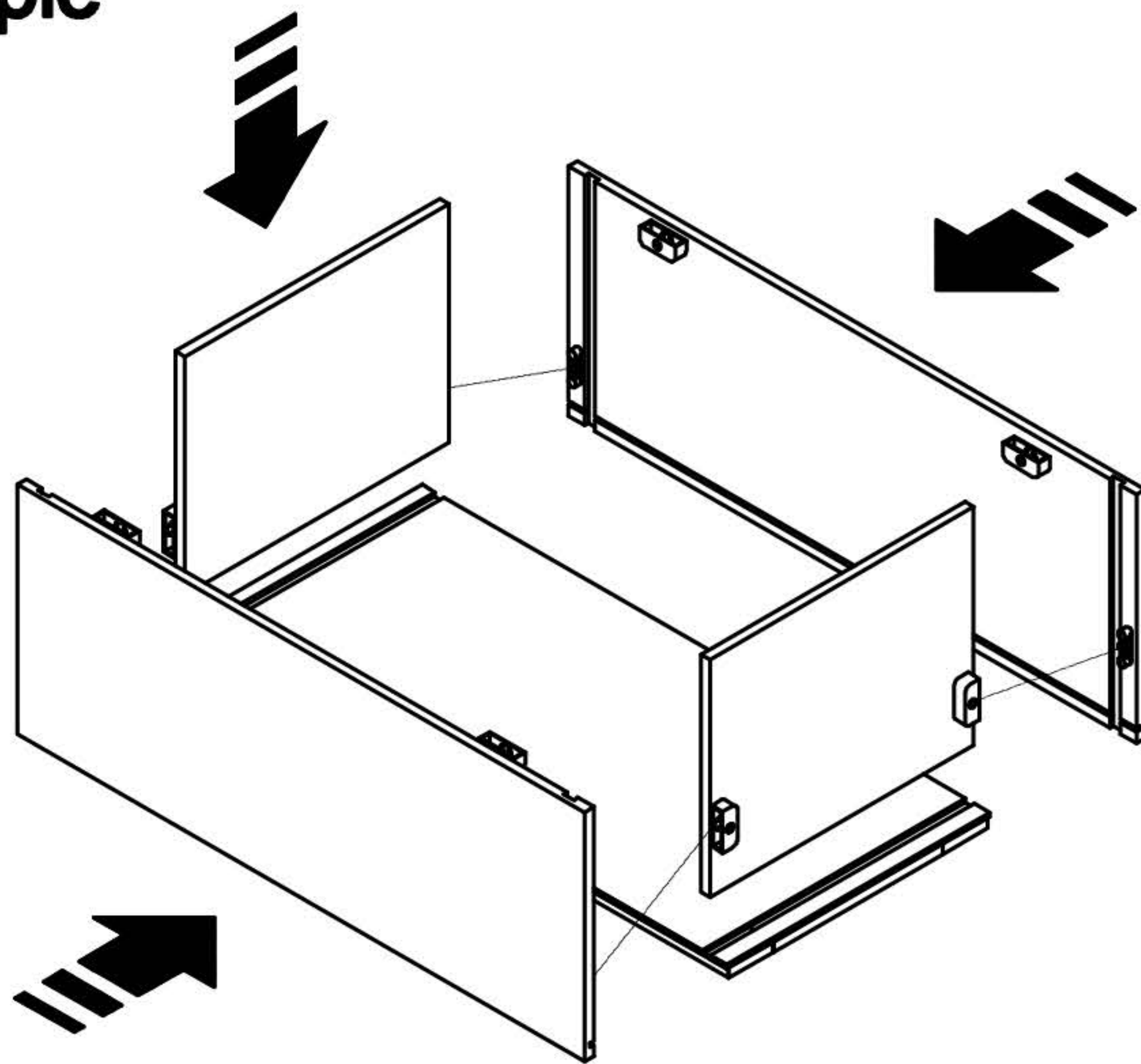
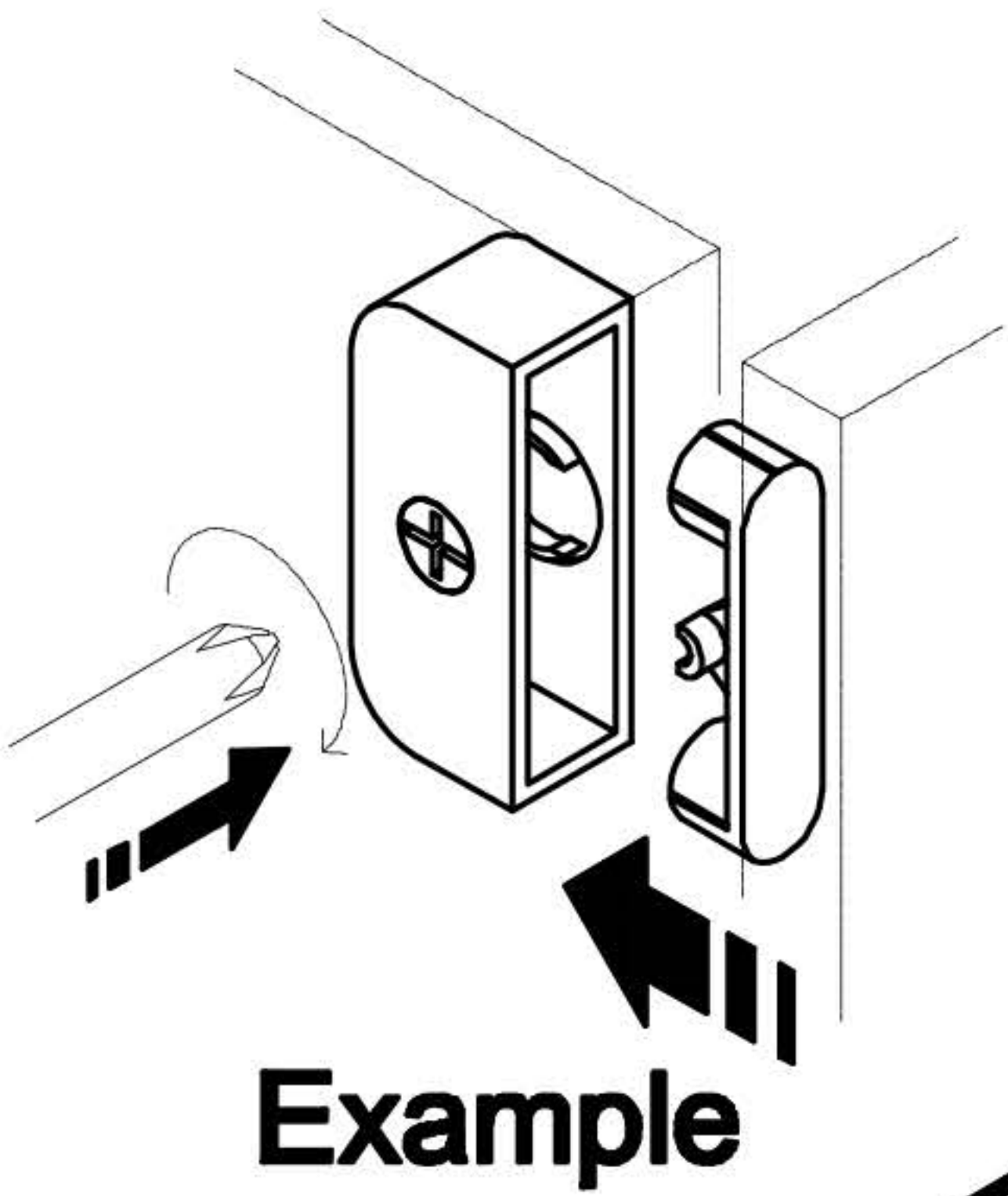


# LORY CABINETS


## Mocha Shaker Pg. 33

Code	A
Icon	
Number	8PS

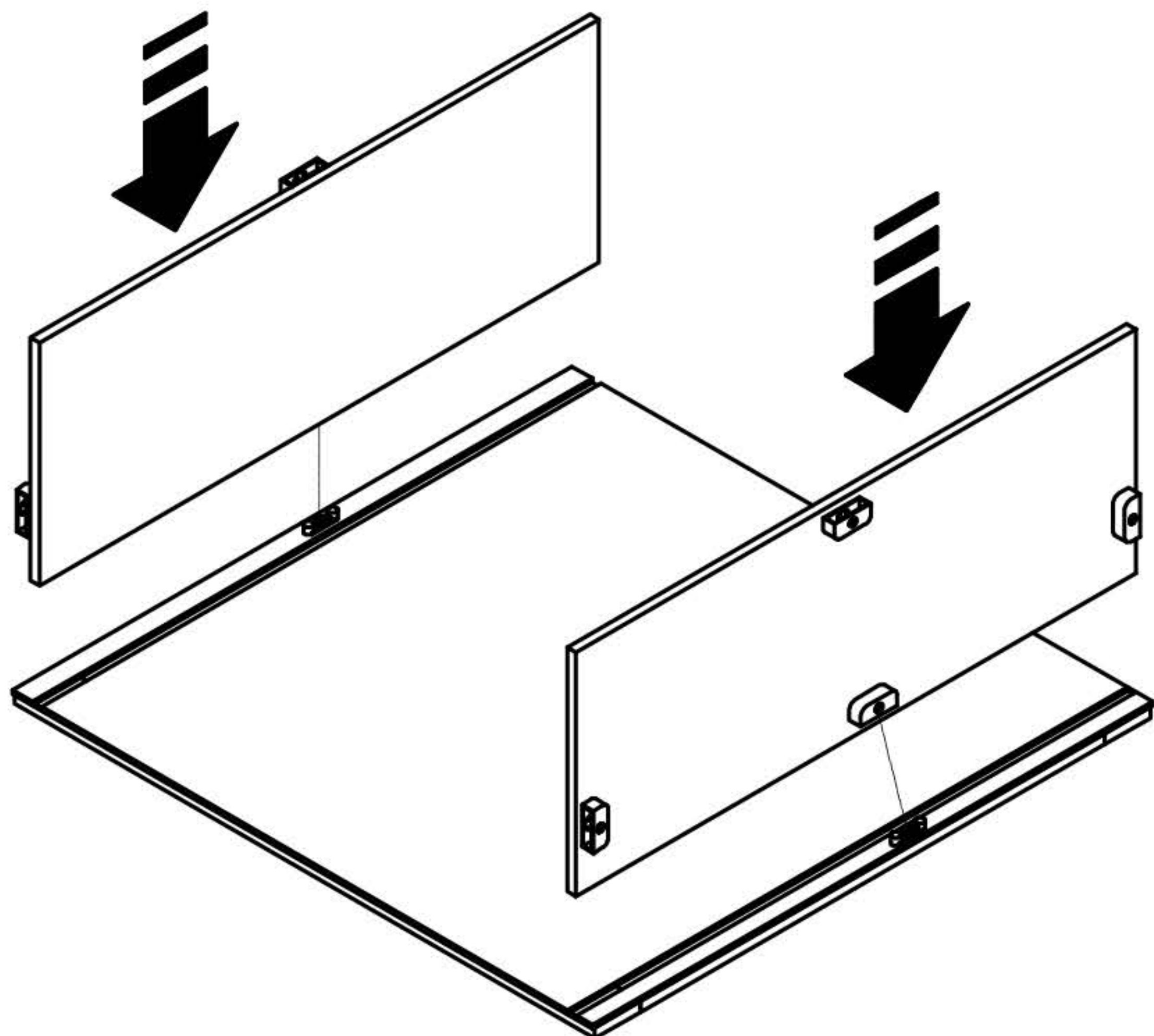
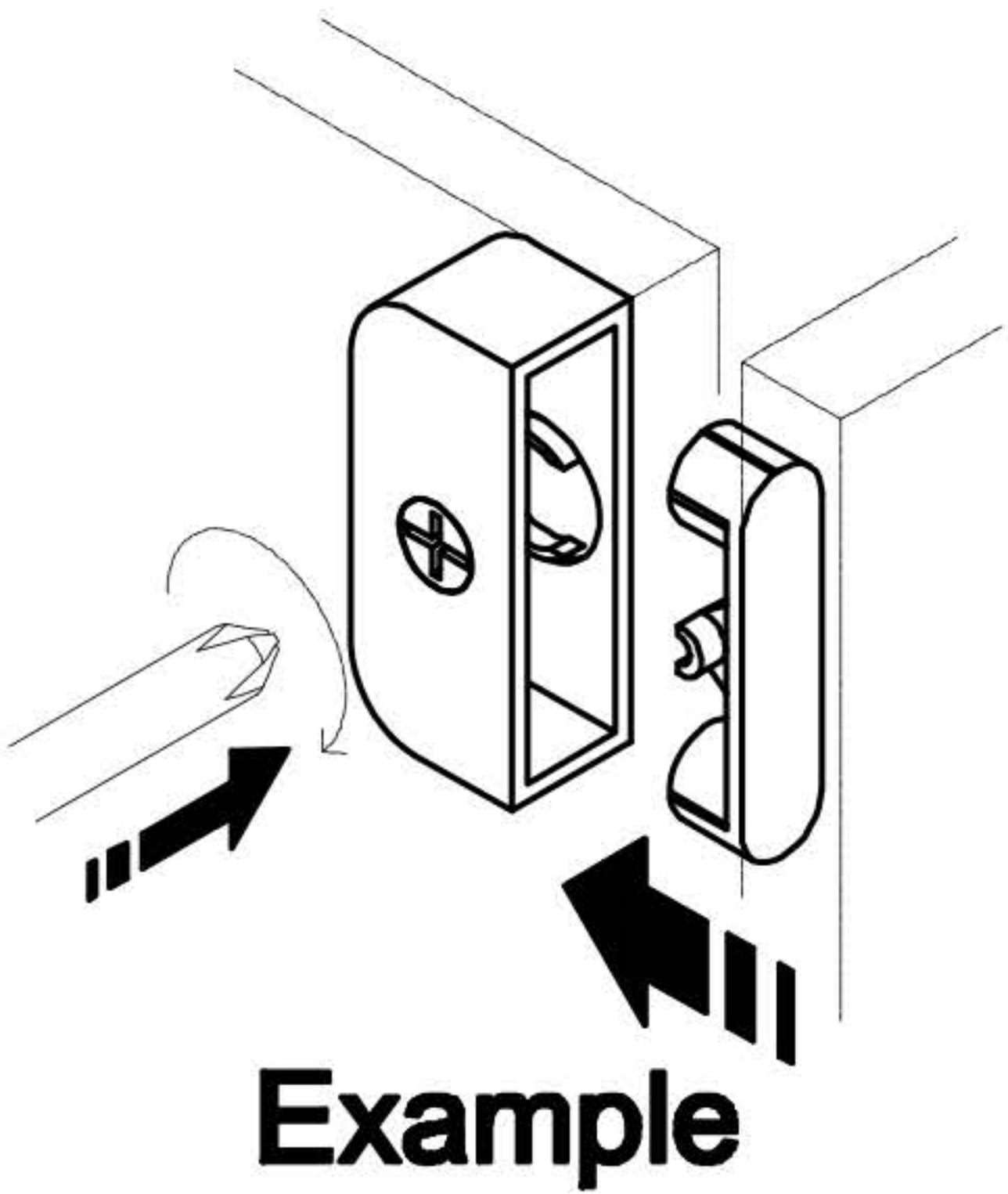
W0930, W1230, W1530, W1830, W2130  
W0936, W1236, W1536, W1836, W2136



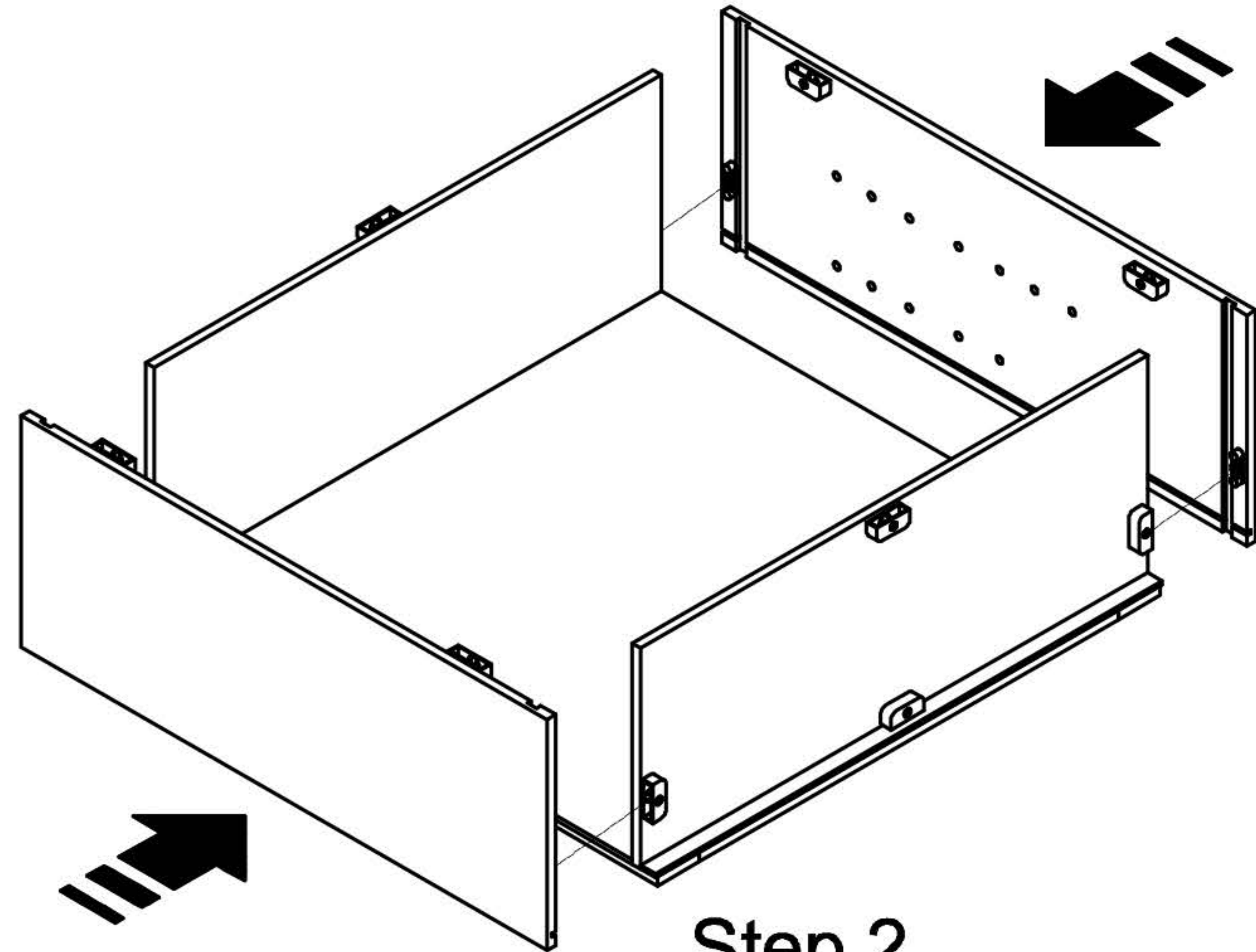
## Mocha Shaker Pg. 34

Code	A
Icon	
Number	8PS

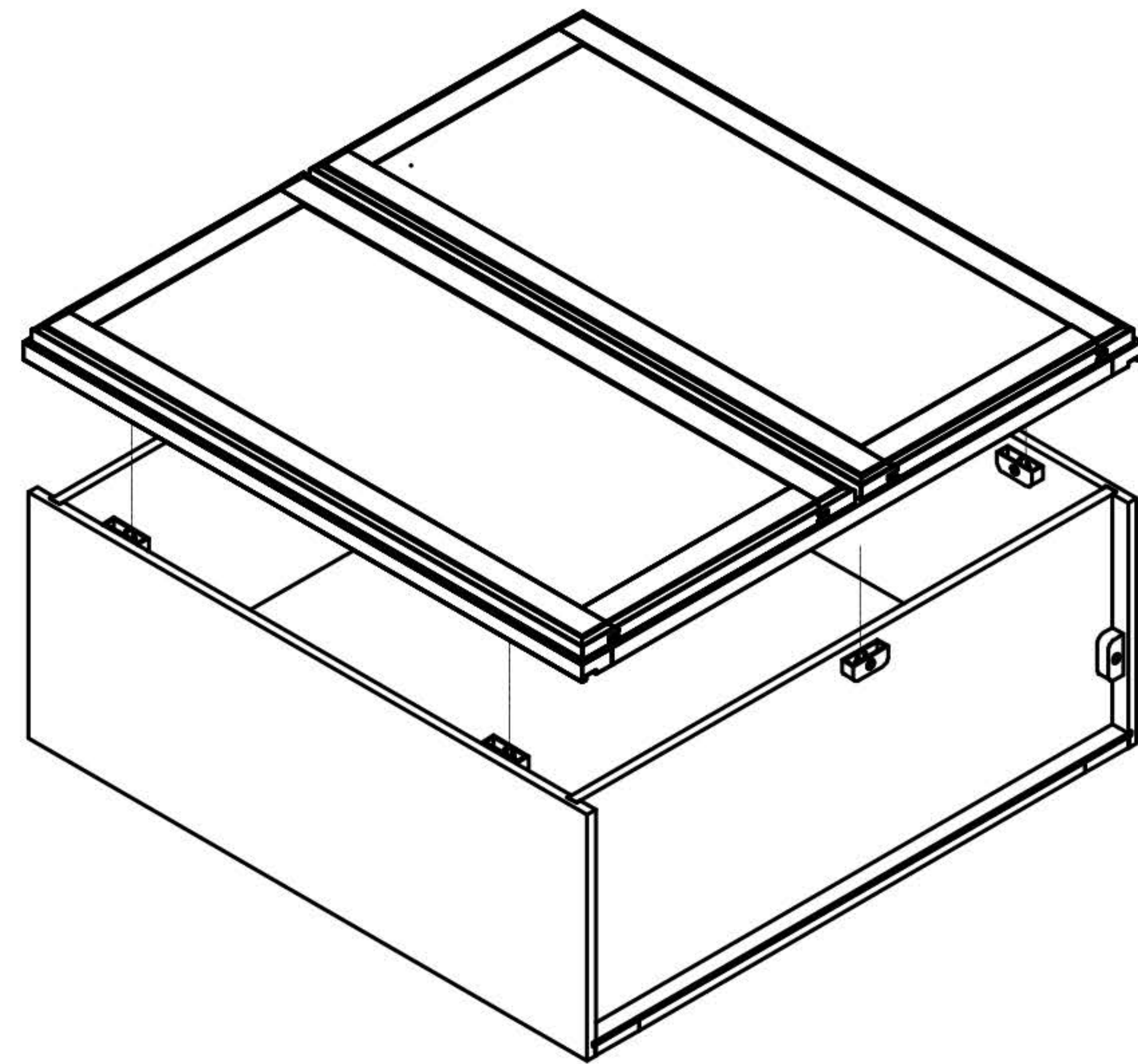
W2430, W2730, W3030, W3330, W3630  
W2436, W2736, W3036, W3336, W3636



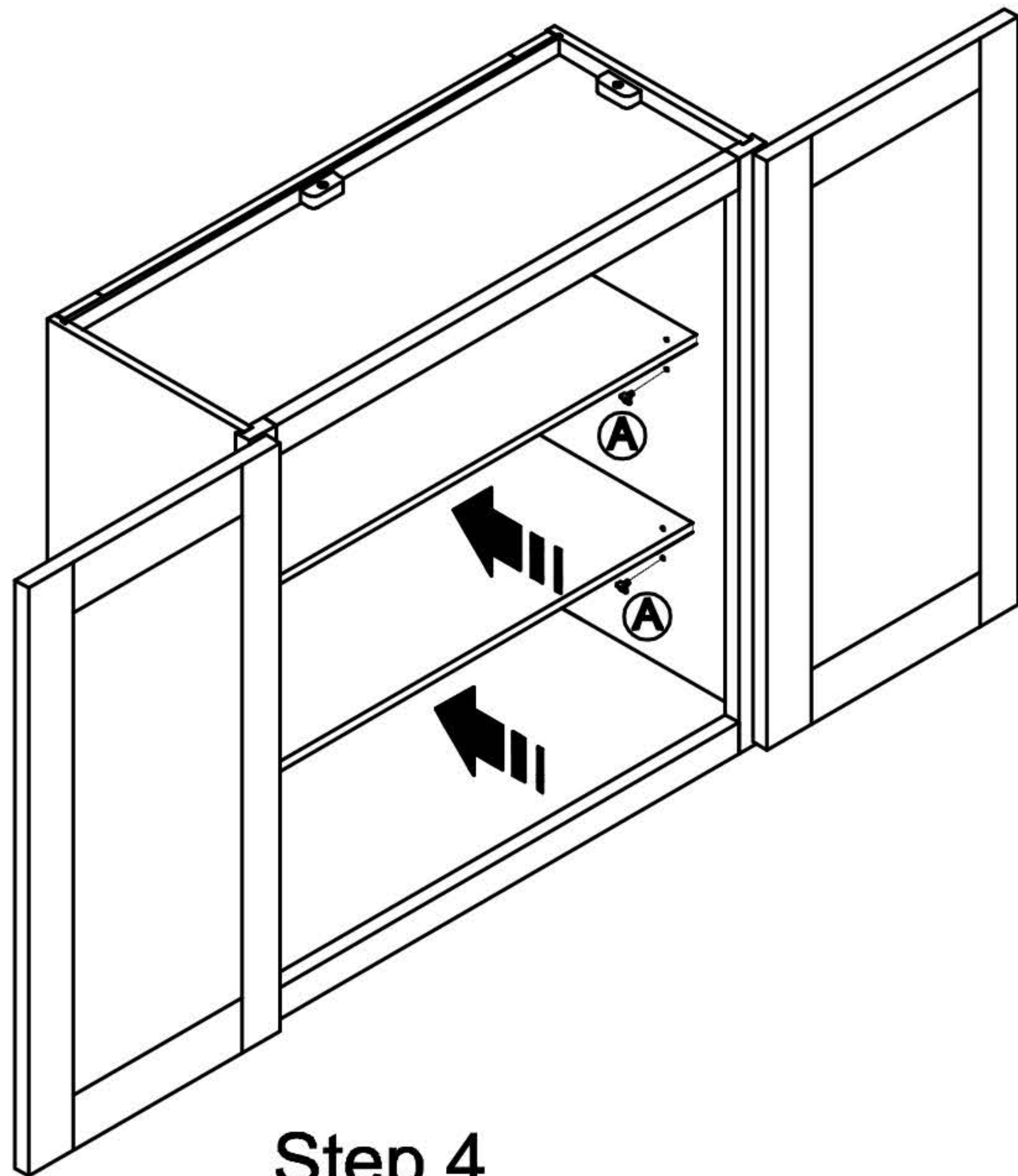
Step 1



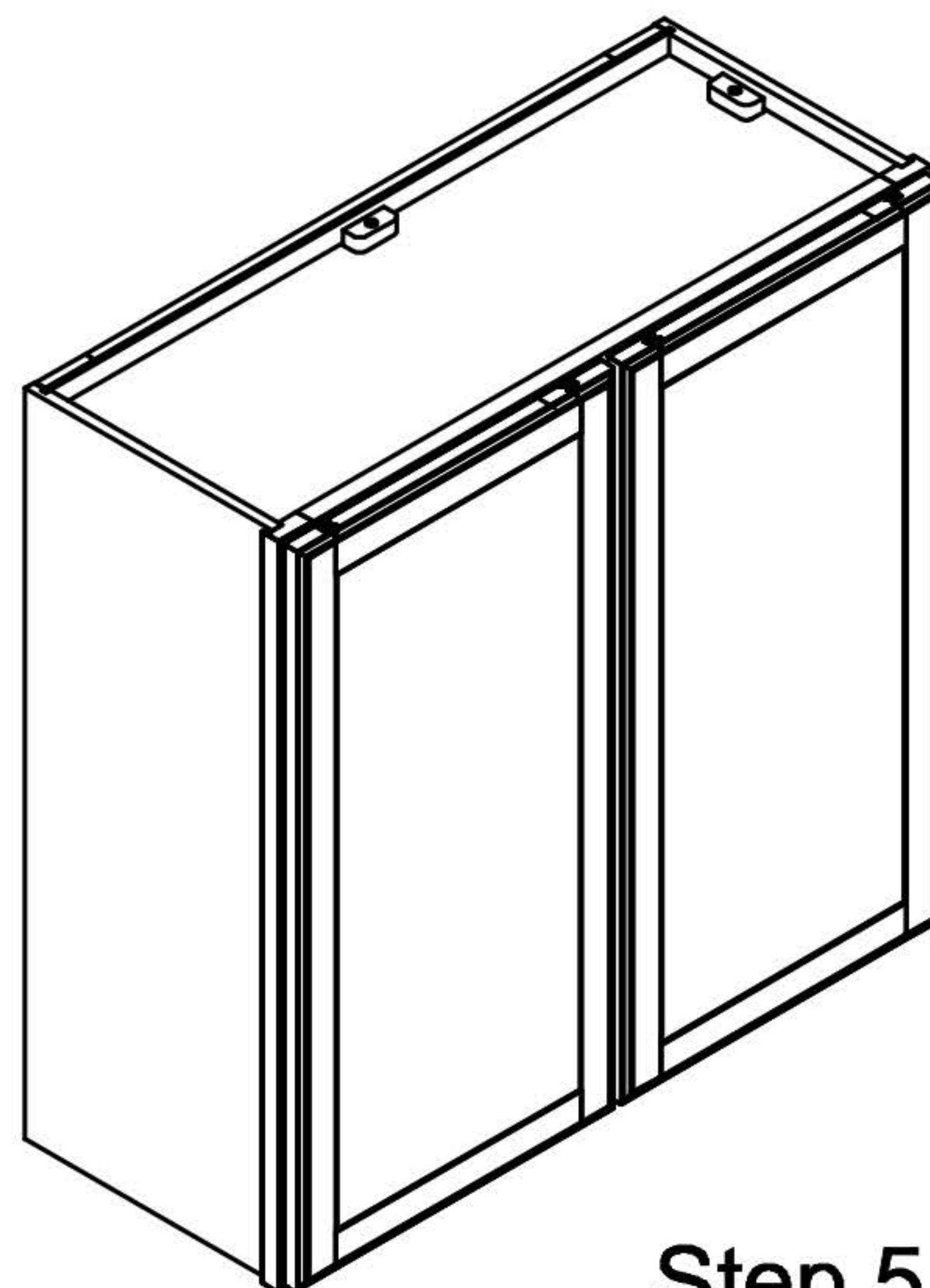
Step 2



Step 3



Step 4




Step 5

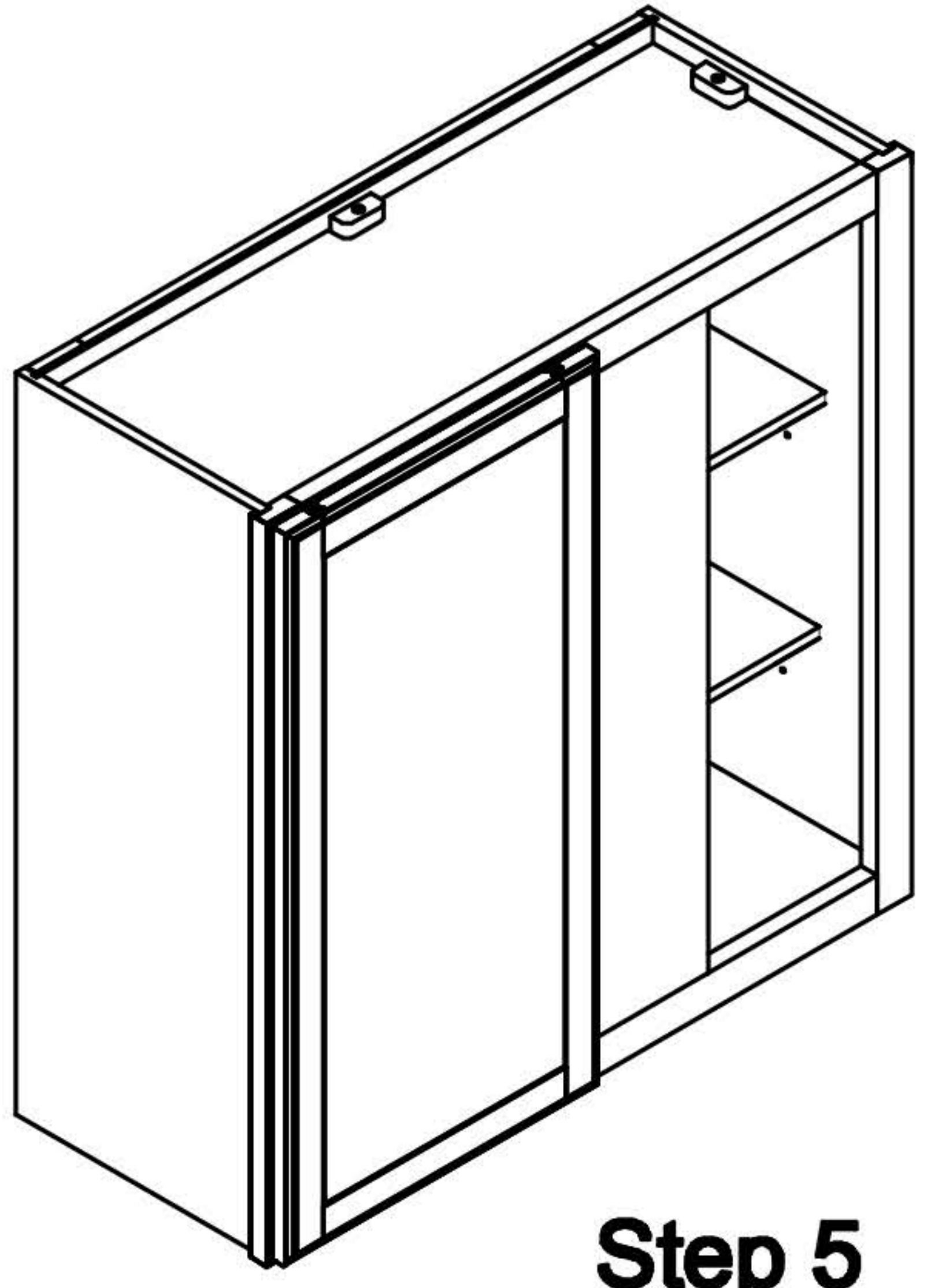
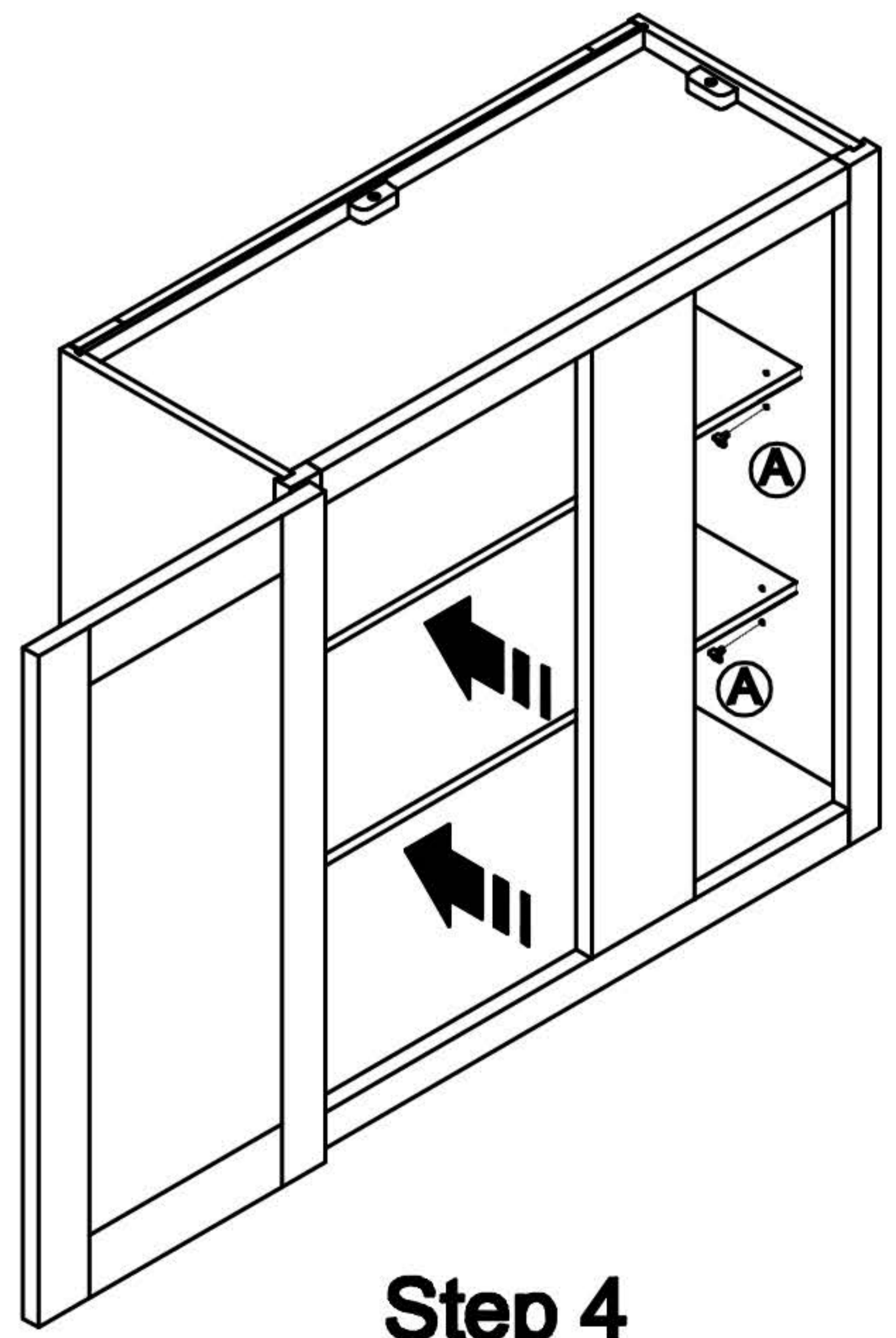
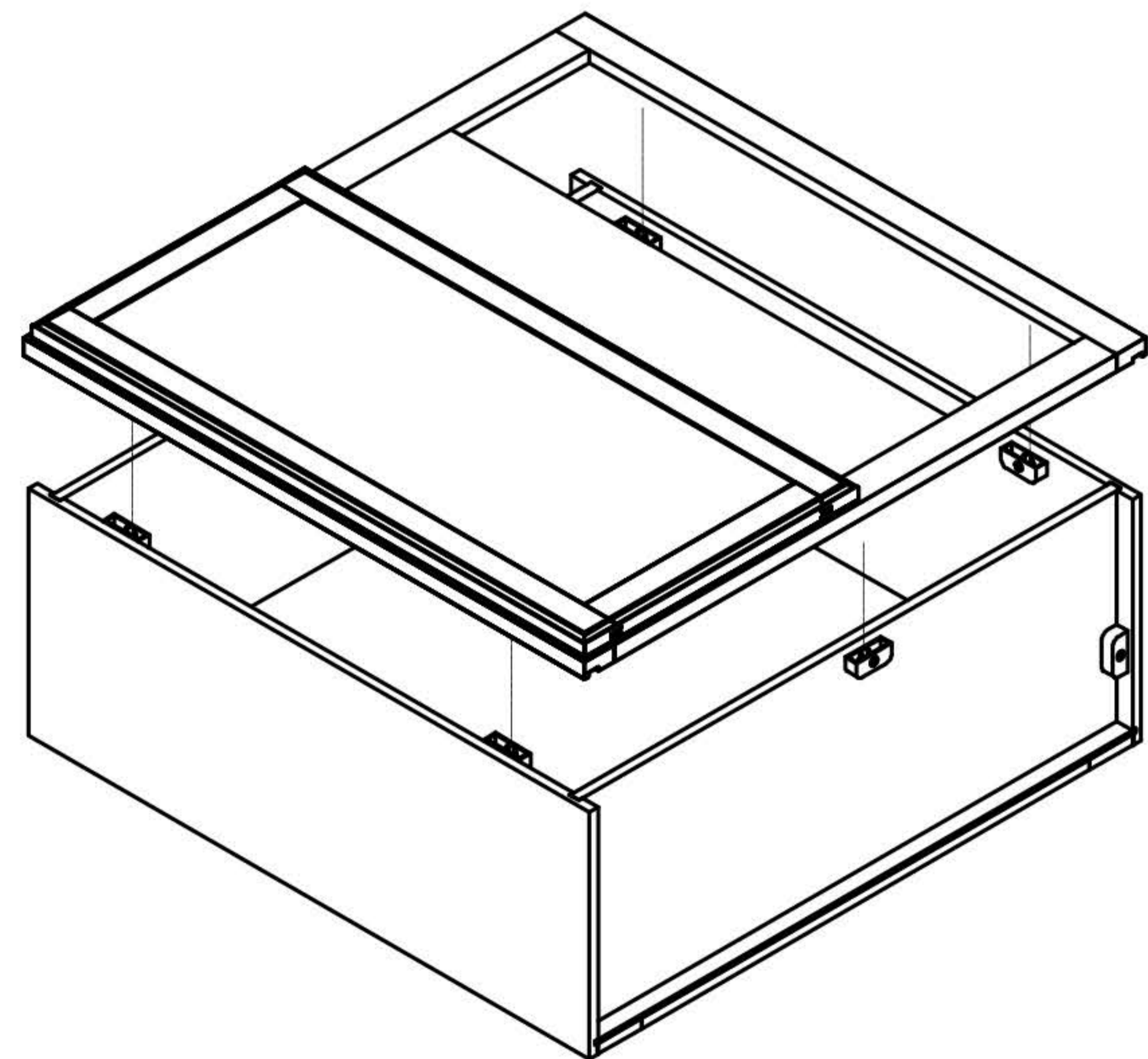
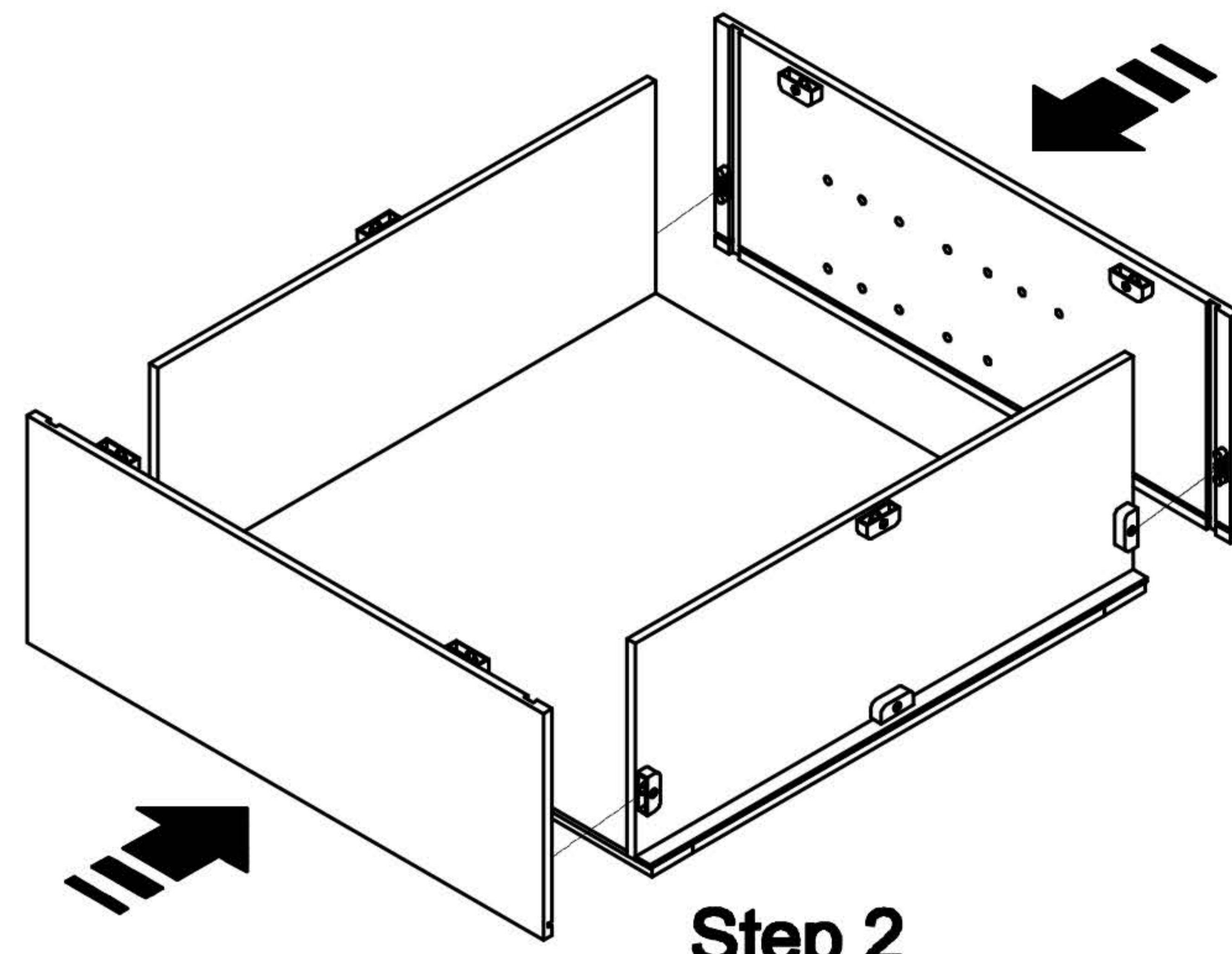
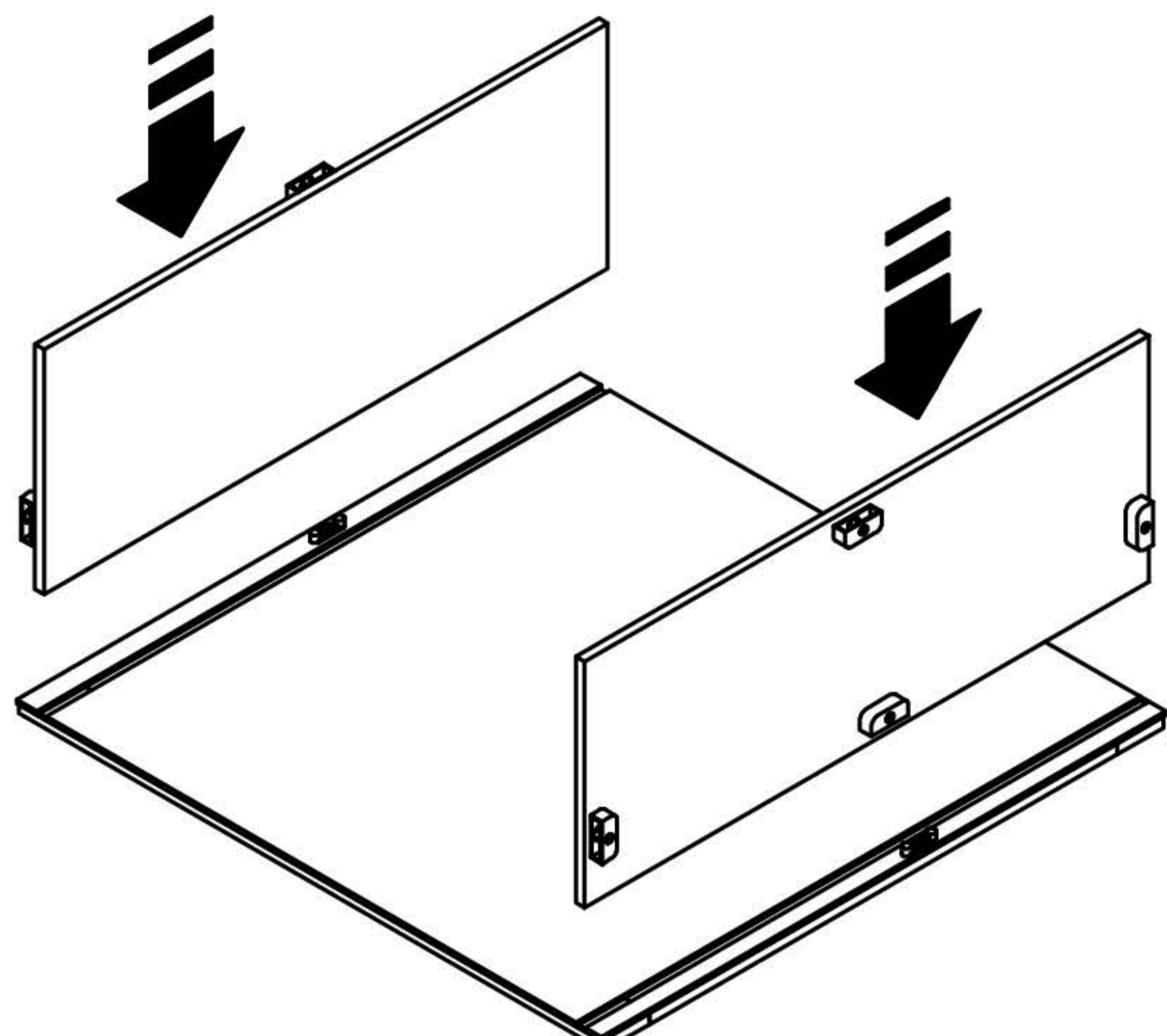
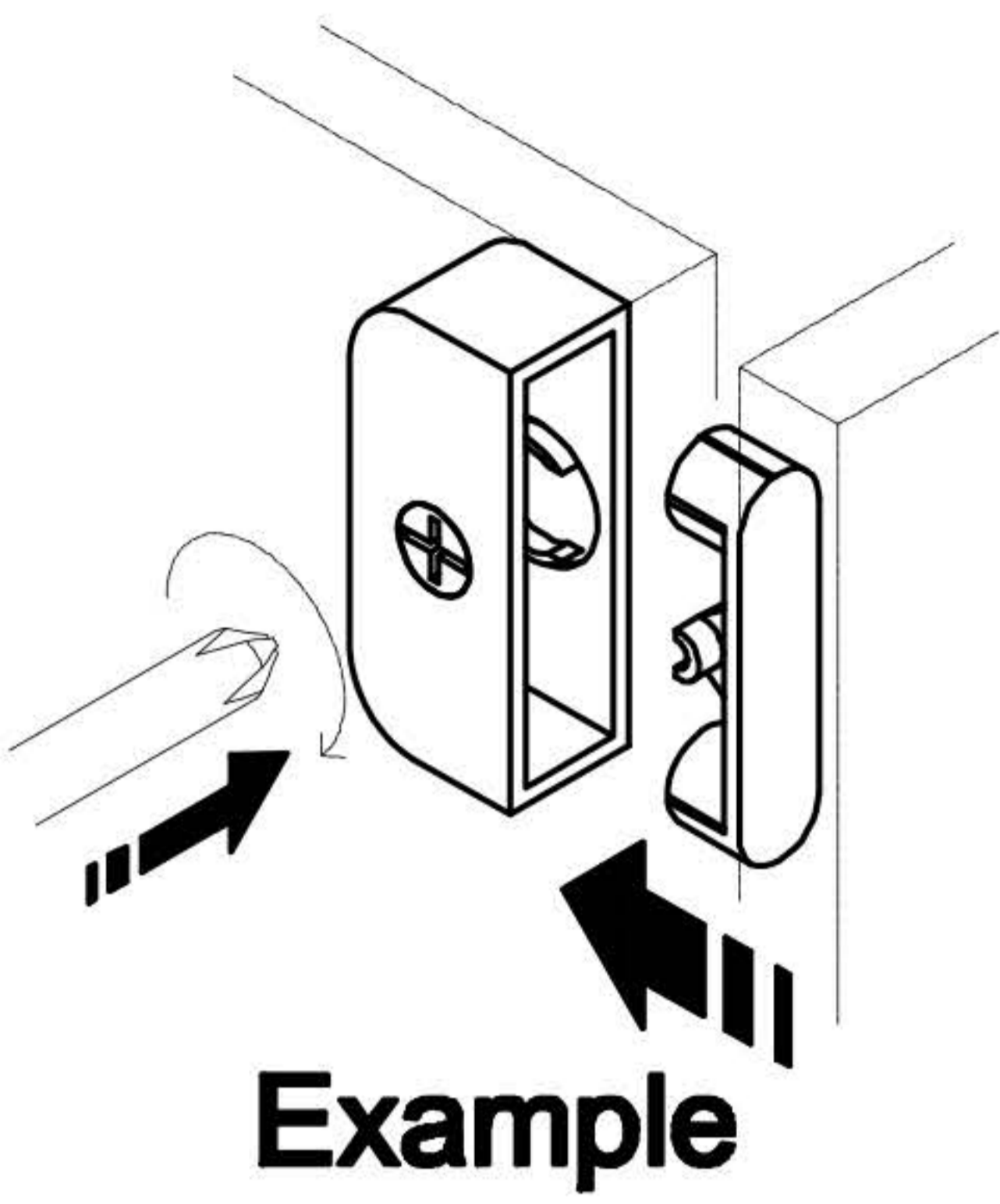
# LORY CABINETS

## Mocha Shaker

Pg. 35

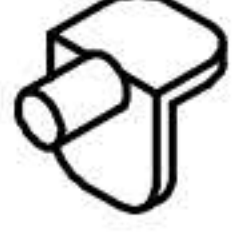
Code	A
Icon	
Number	8PS

WBC2430, WBC2730, WBC3030  
WBC2436, WBC2736, WBC3036

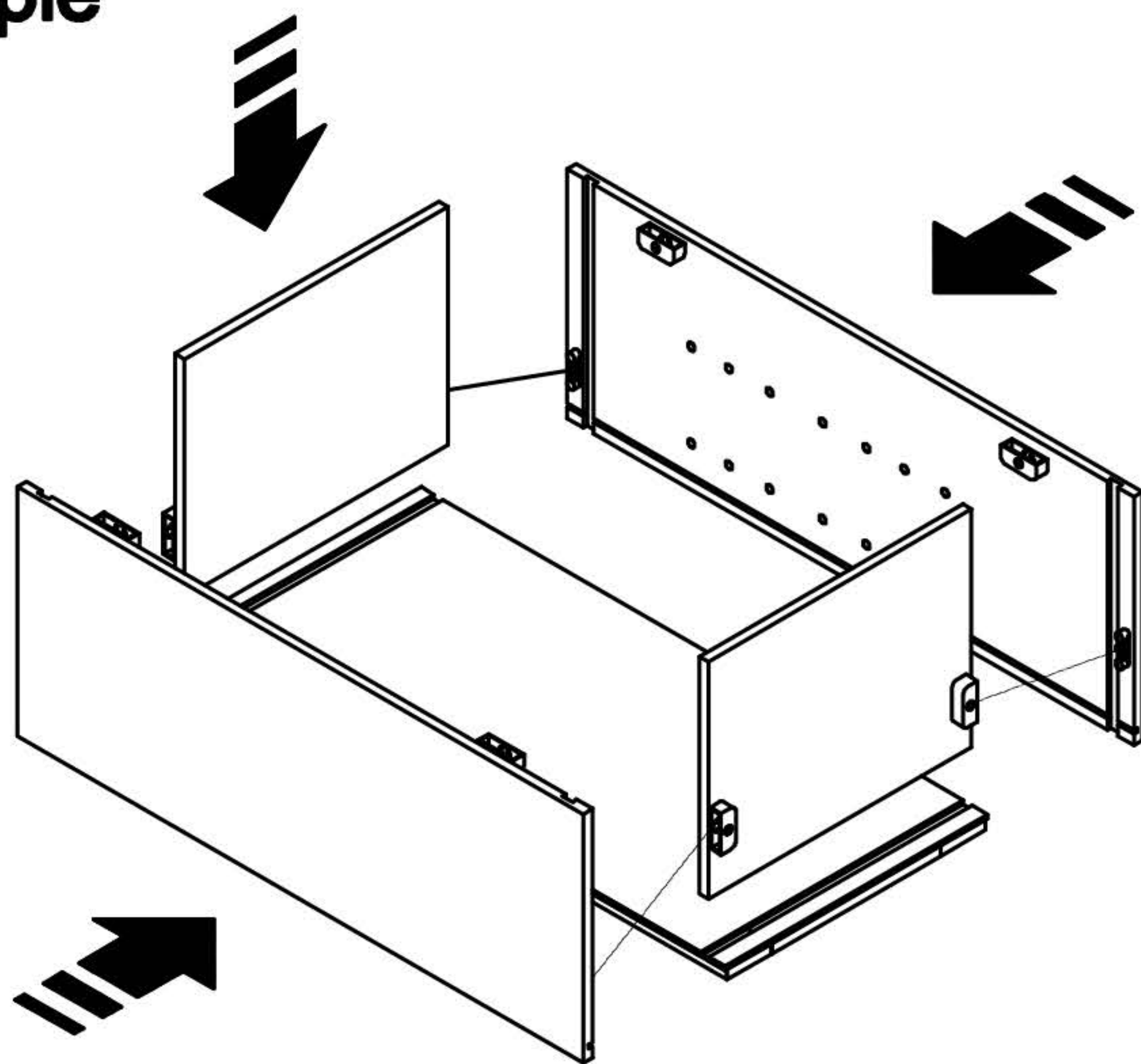
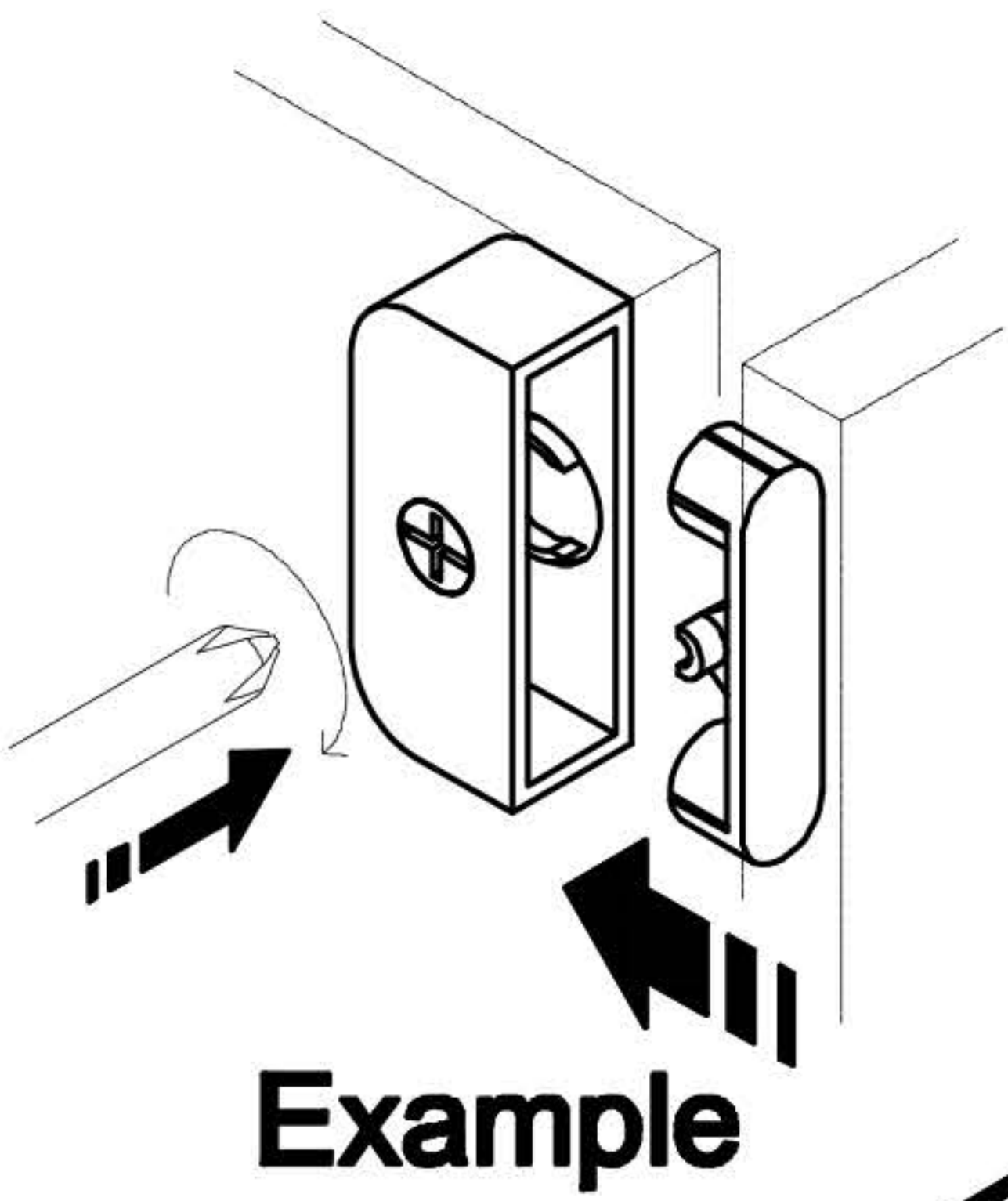


# LORY CABINETS

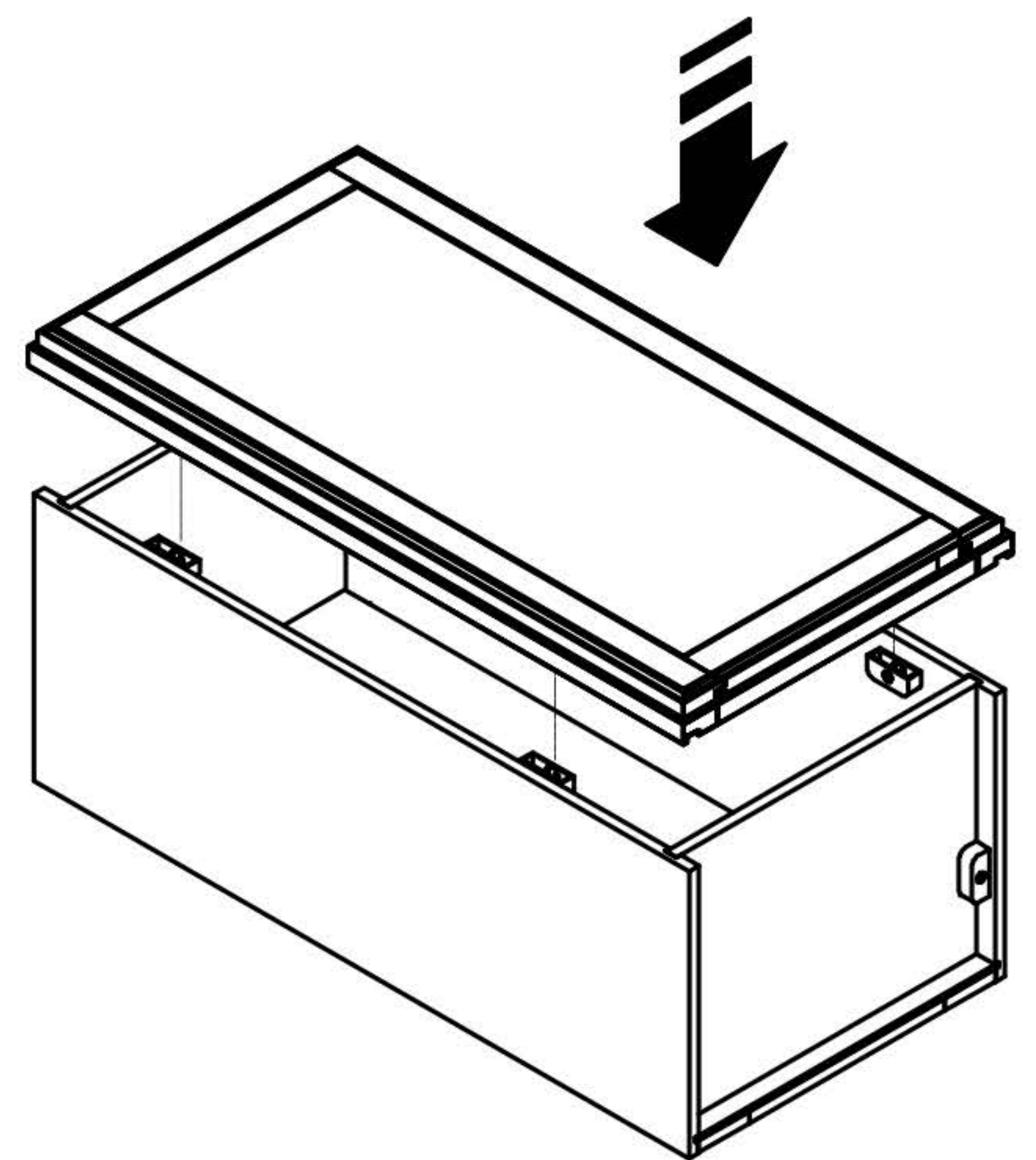
## Mocha Shaker Pg. 36

Code	A
Icon	
Number	12PS

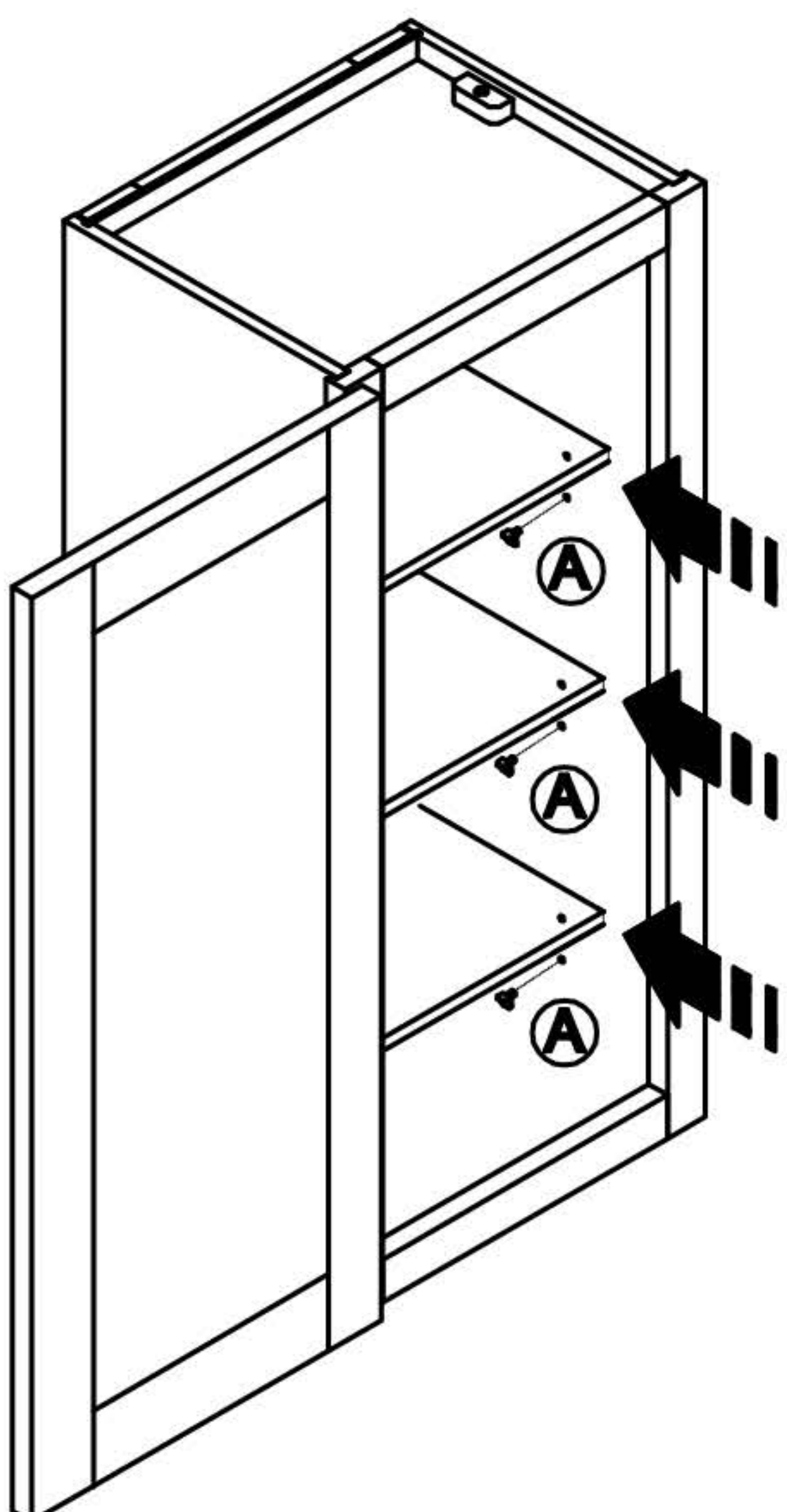
W0942, W1242, W1542, W1842, W2142



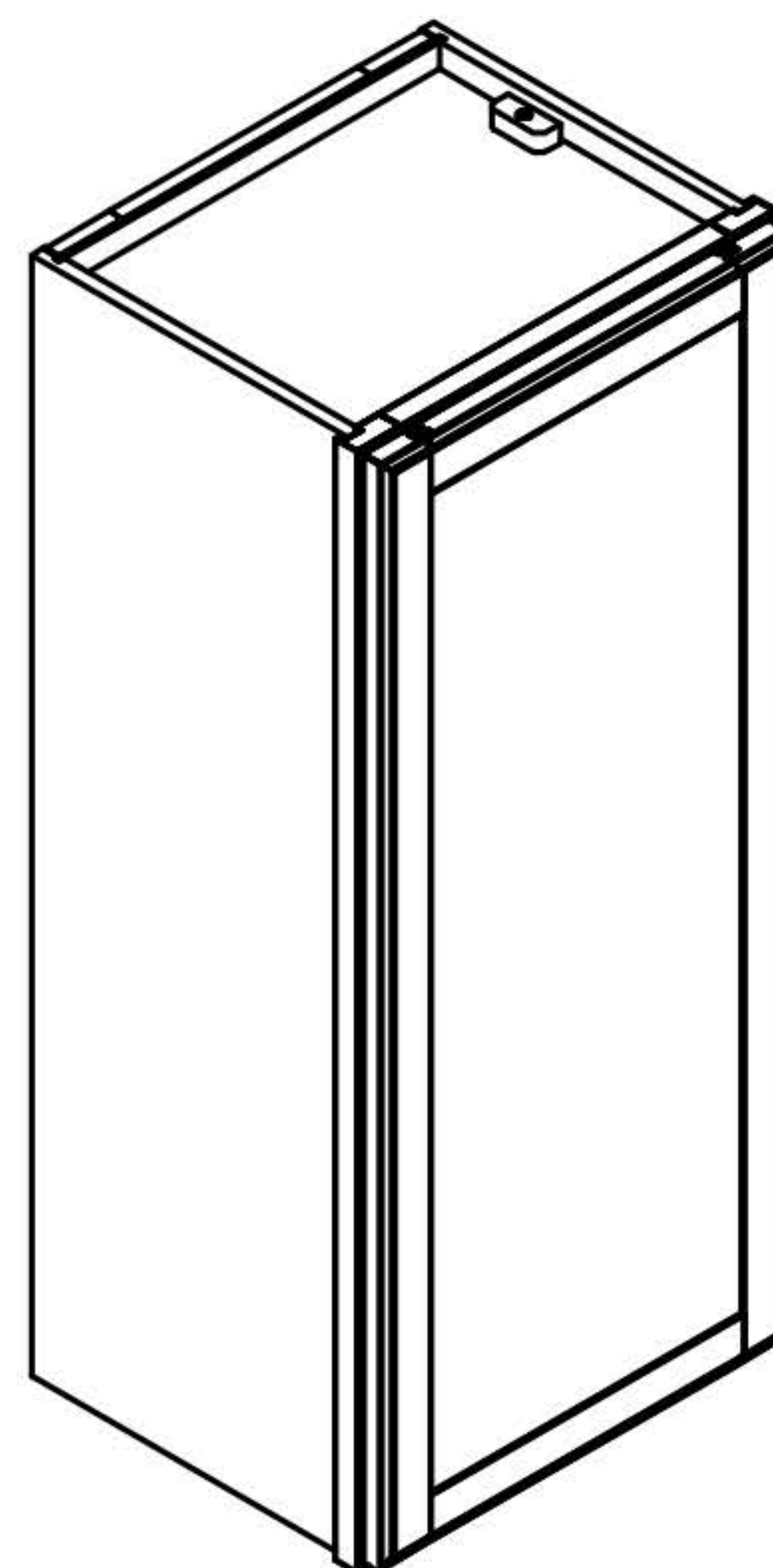
Step 1



Step 2

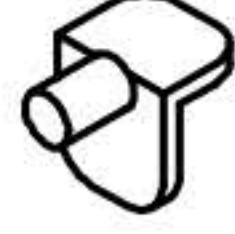


Step 3

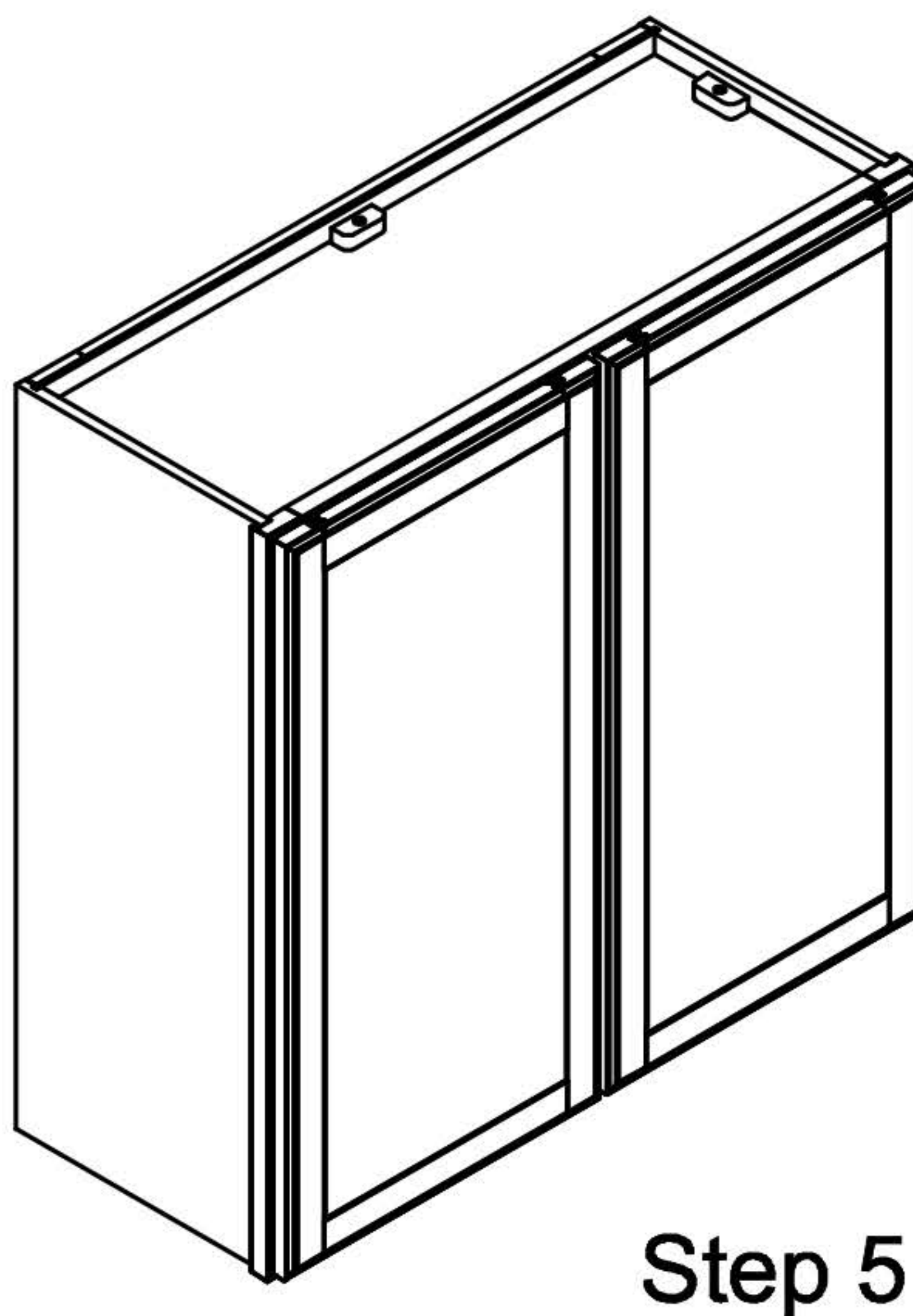
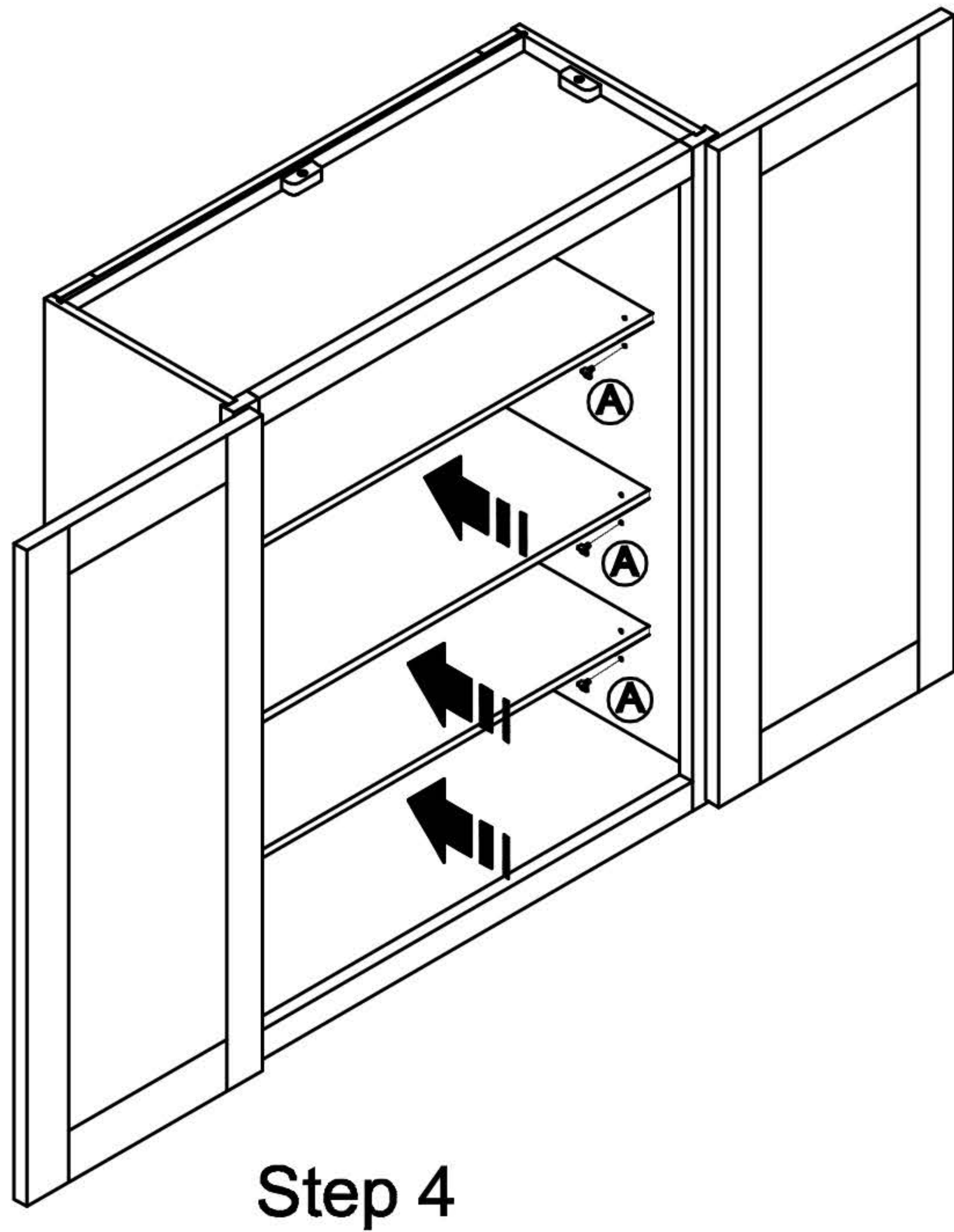
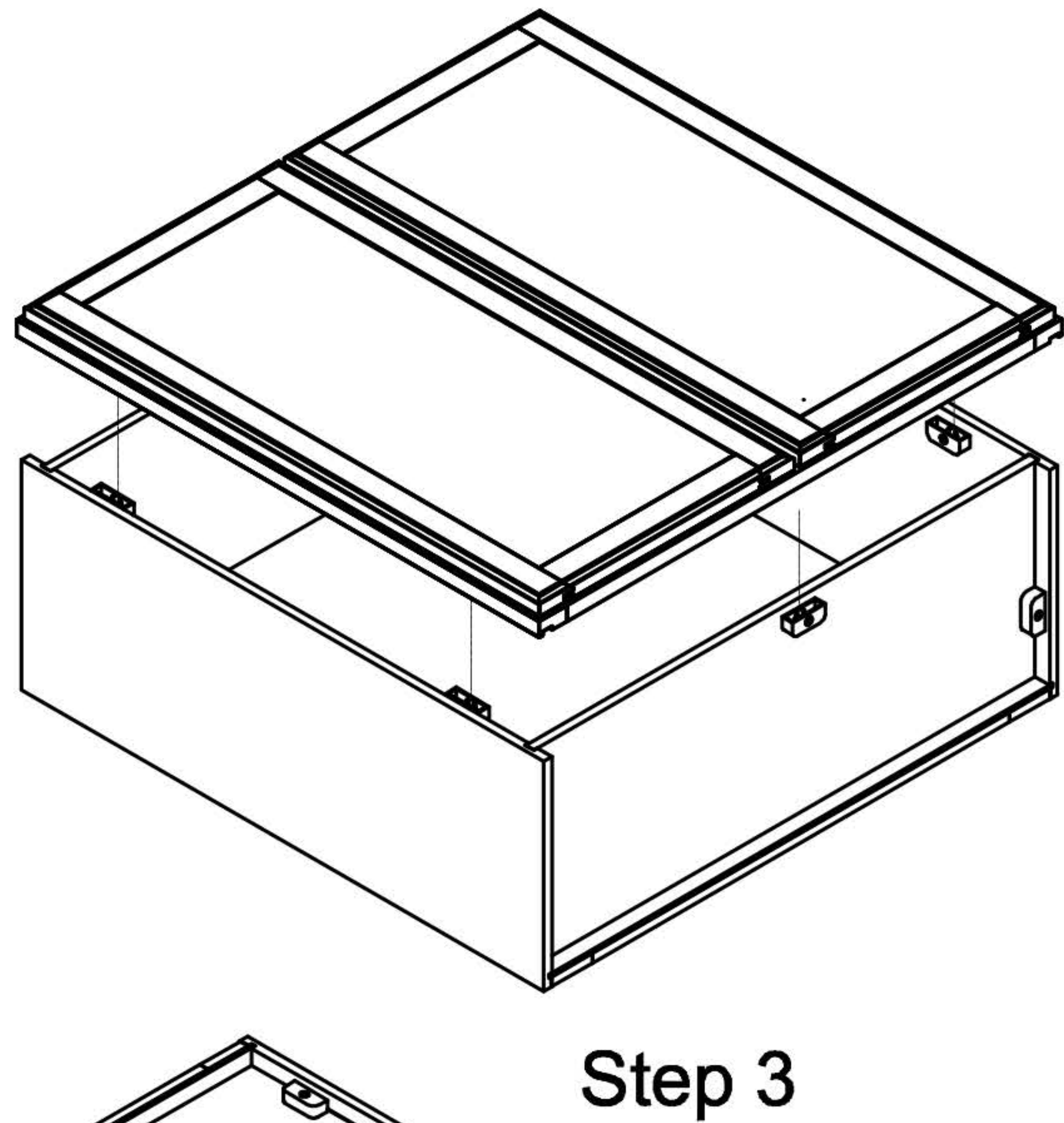
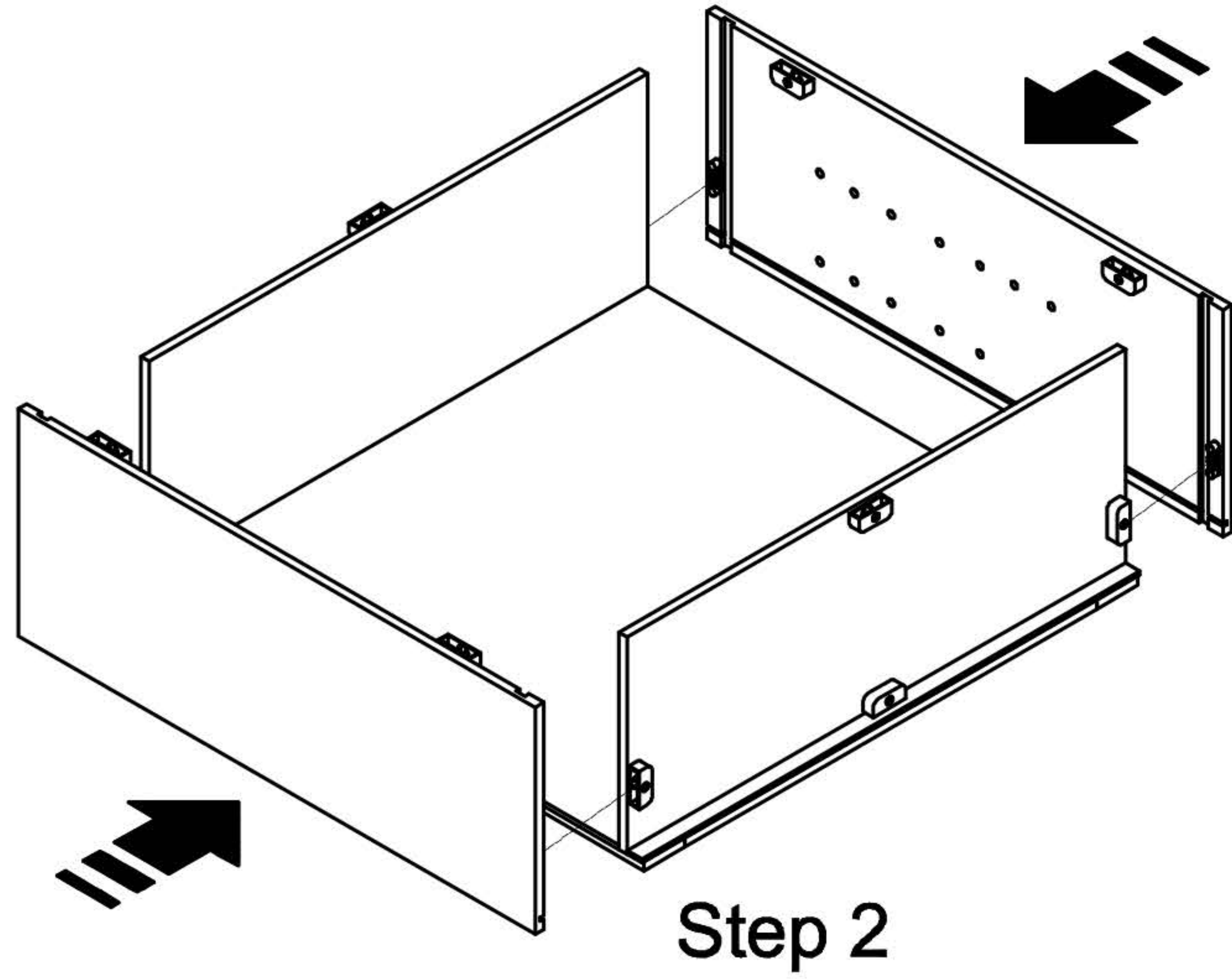
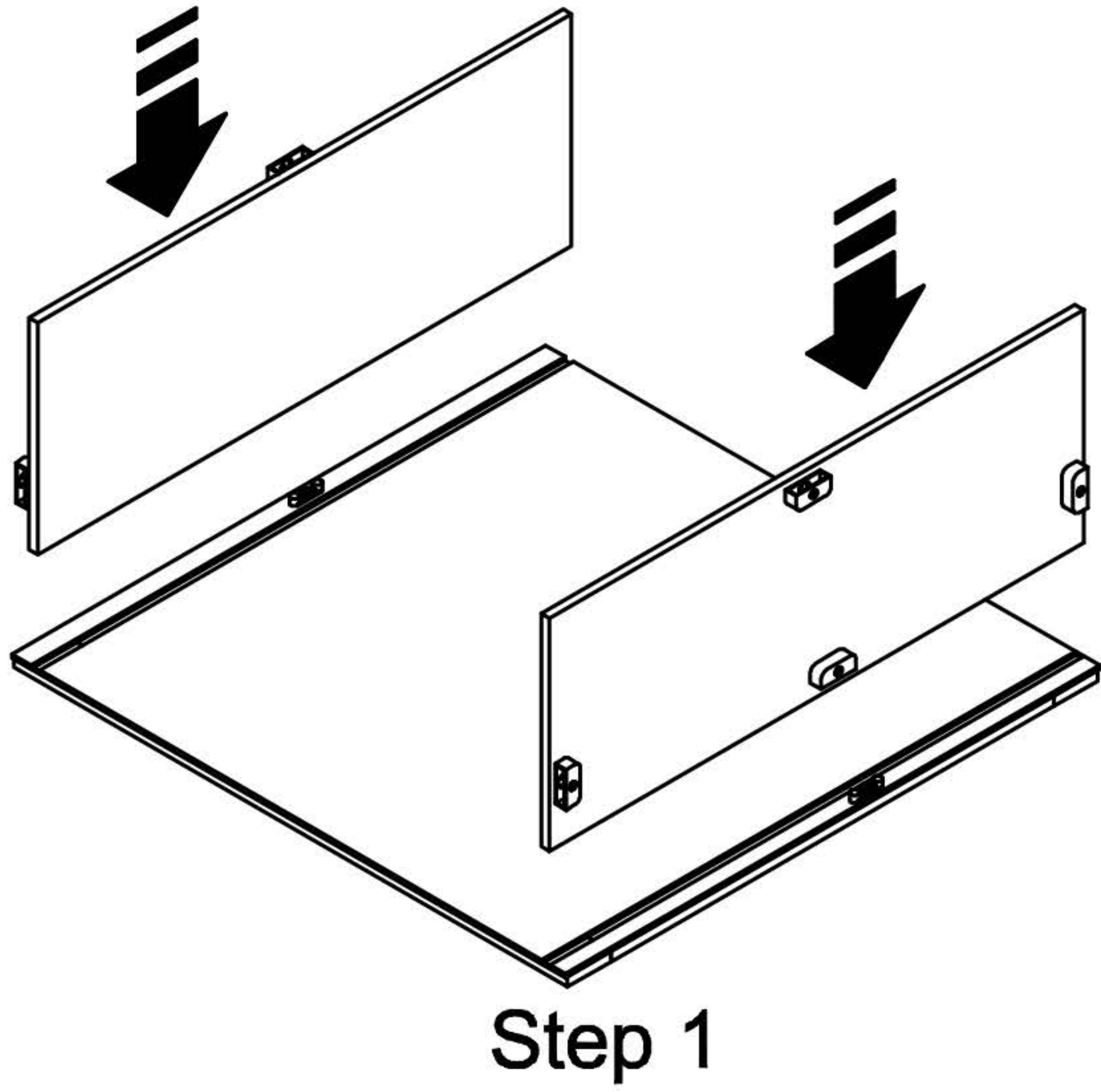
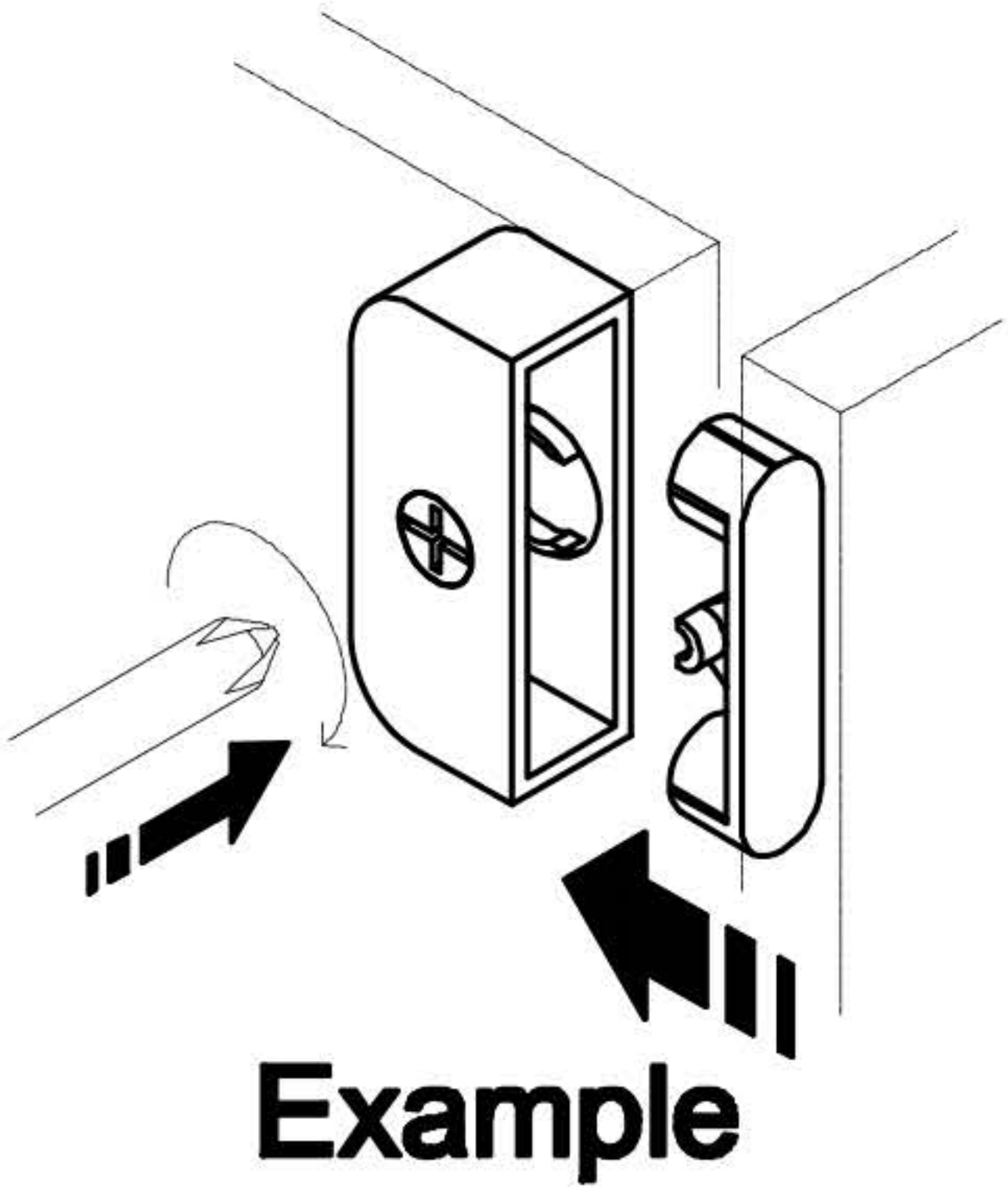


Step 4


## Mocha Shaker Pg. 37

Code	A
Icon	
Number	12PS

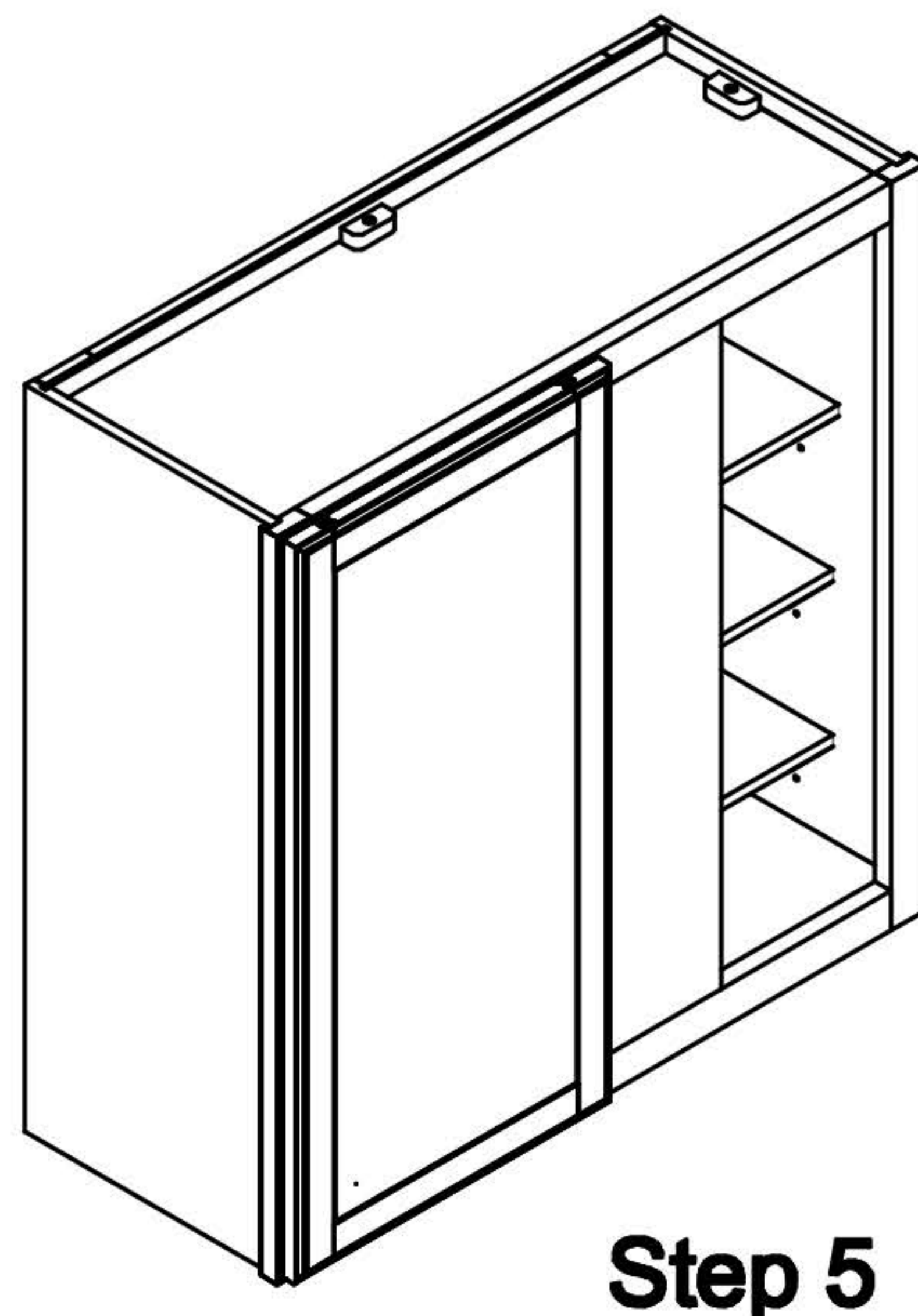
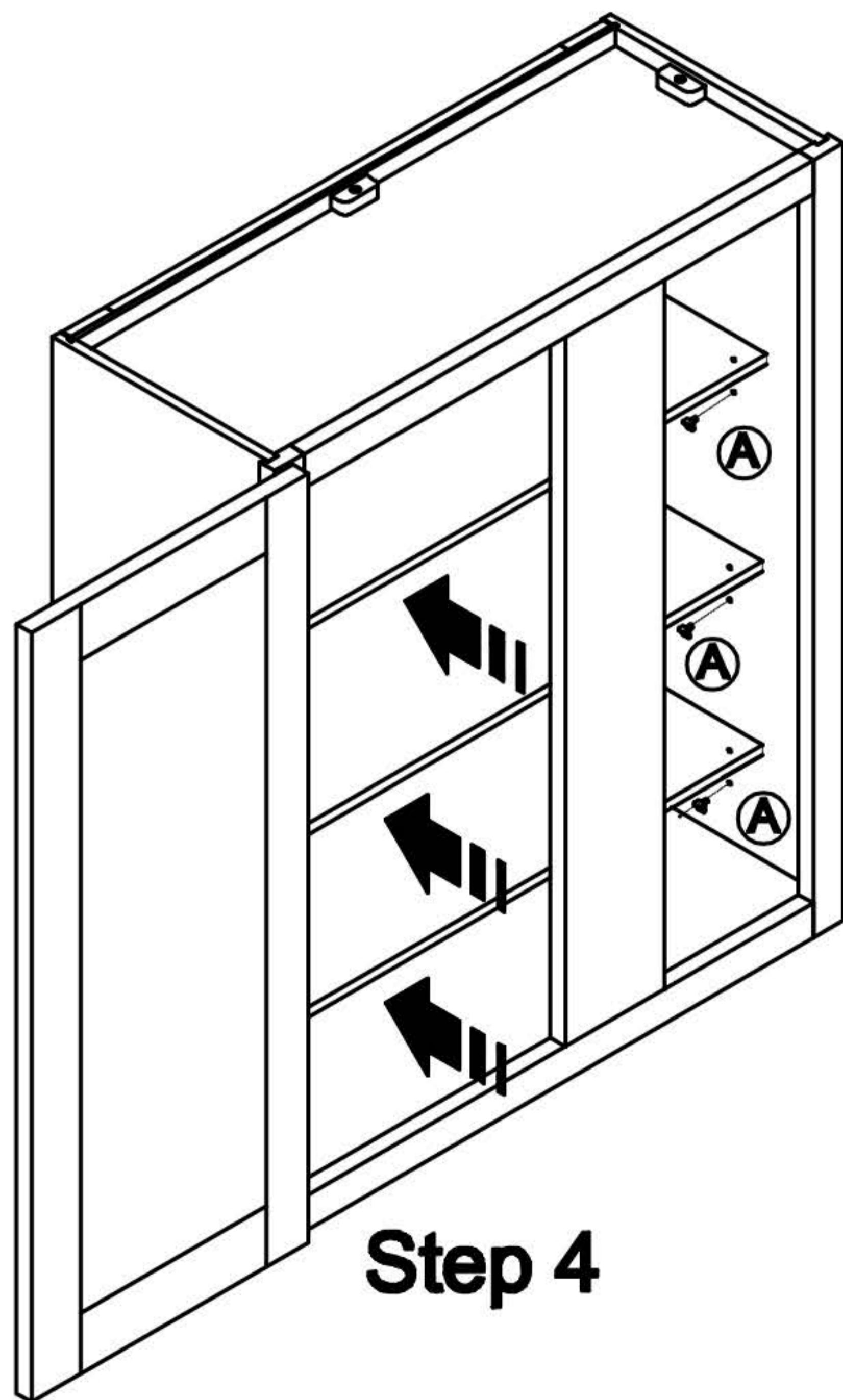
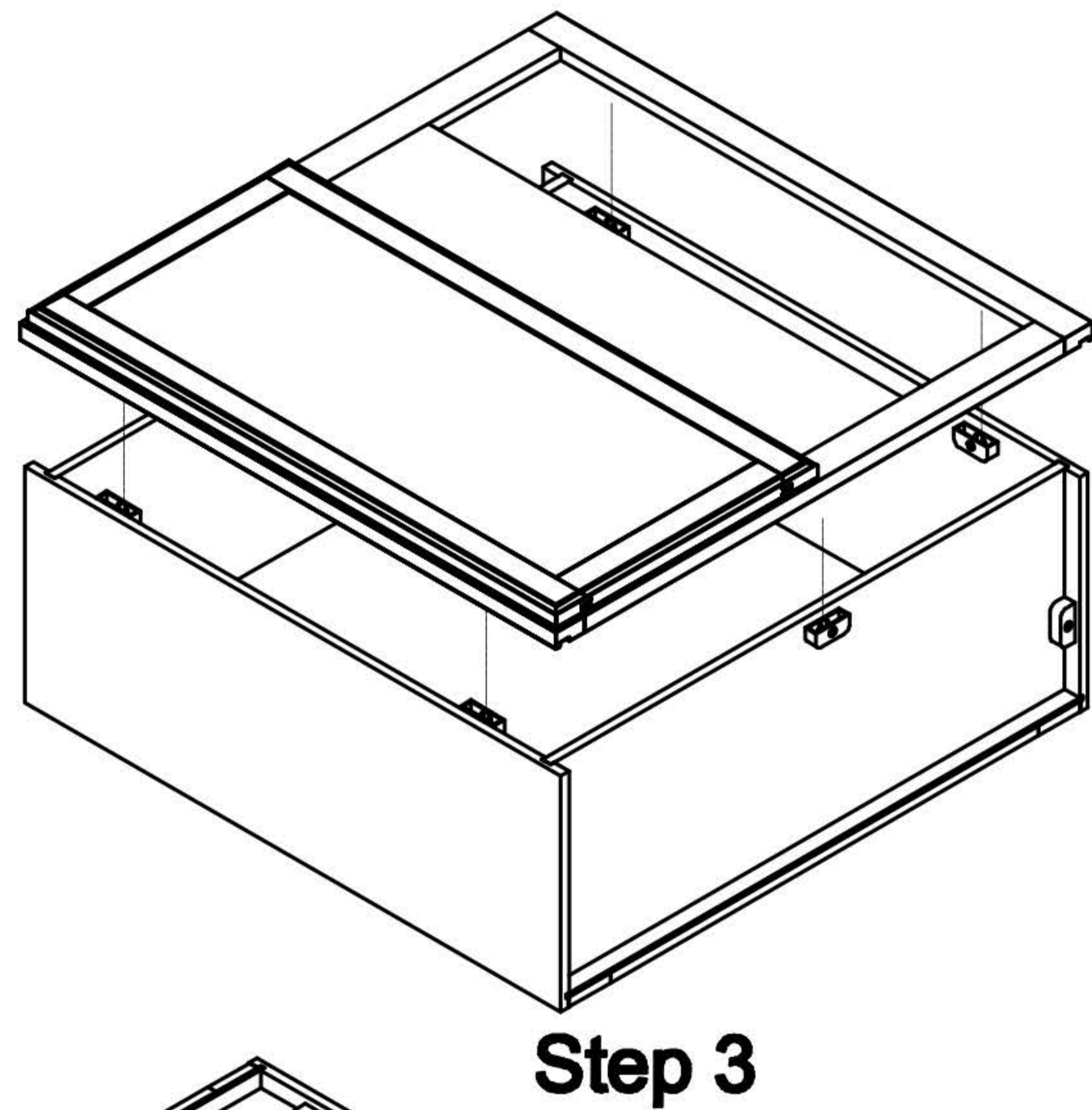
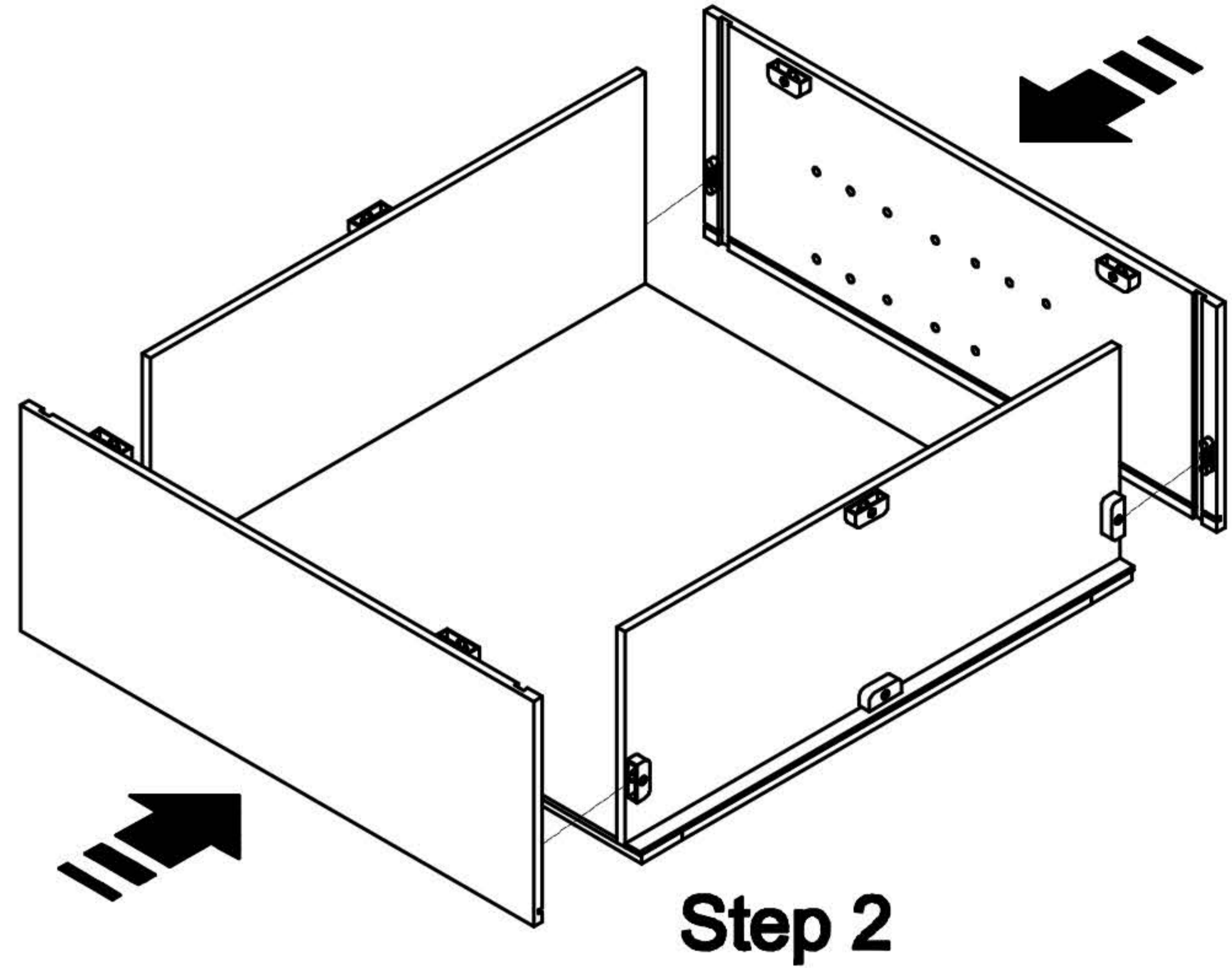
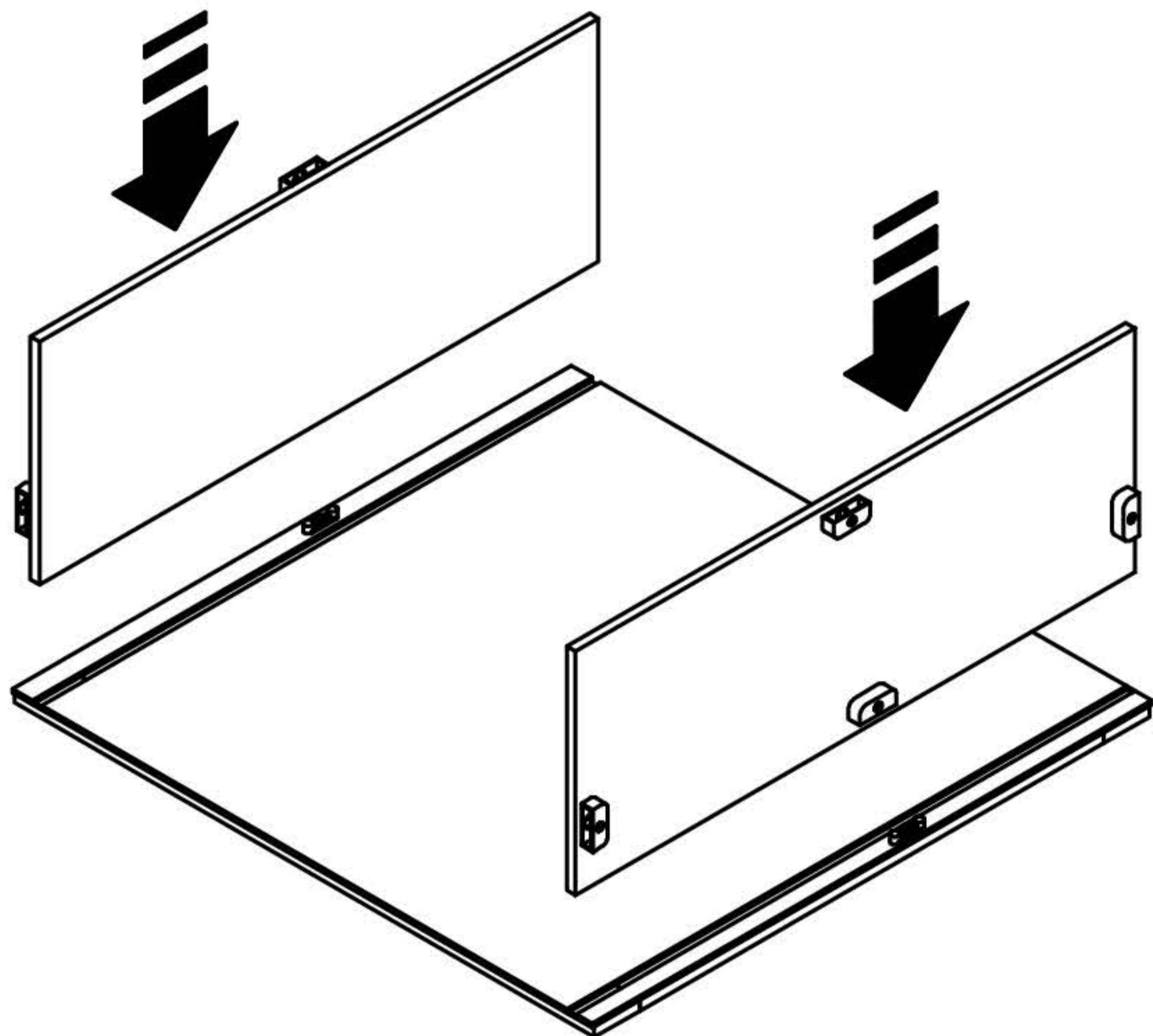
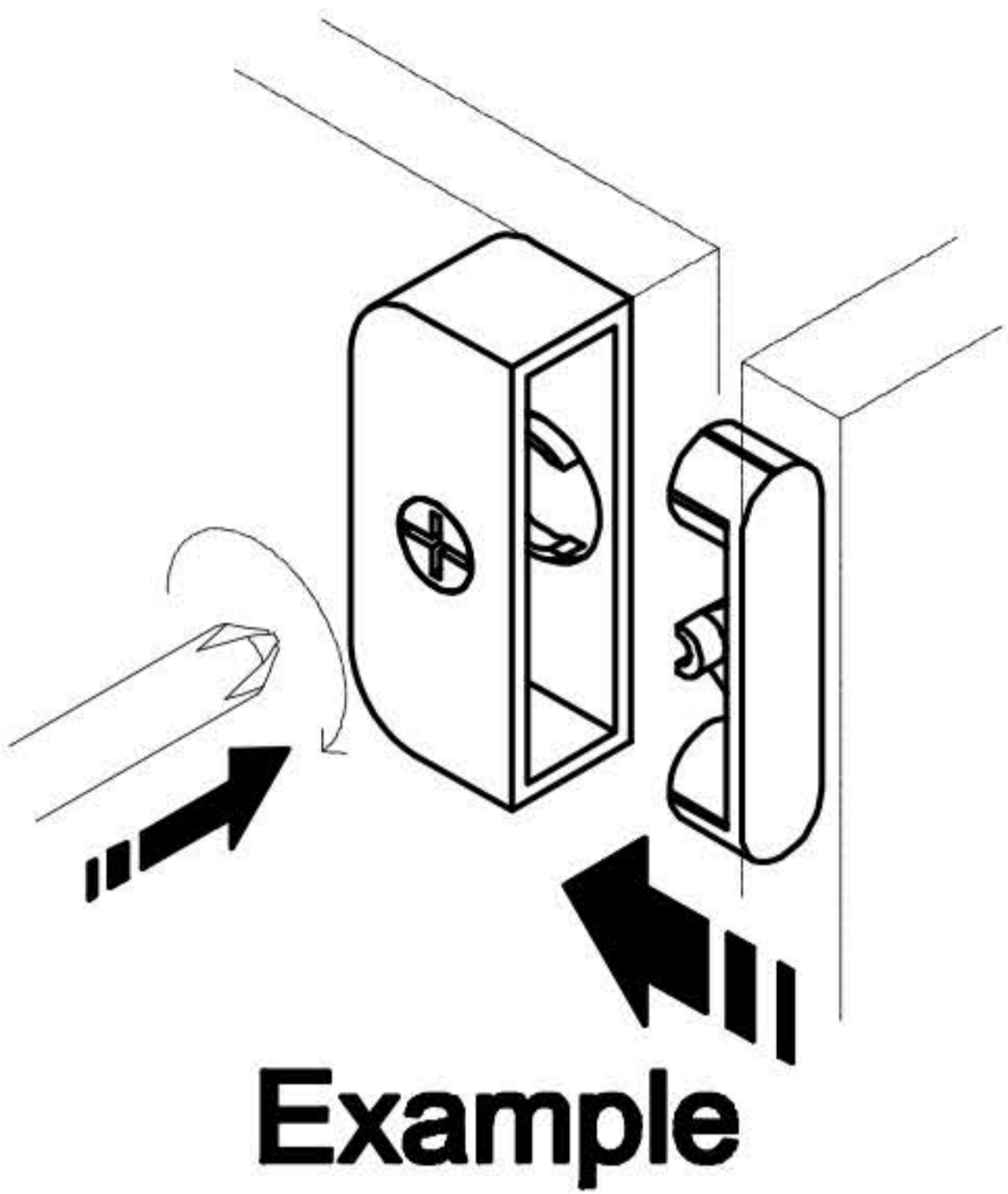
W2442, W2742, W3042, W3342, W3642



## Mocha Shaker Pg. 38



Code	A
Icon	
Number	12PS

WBC2442, WBC2742, WBC3042

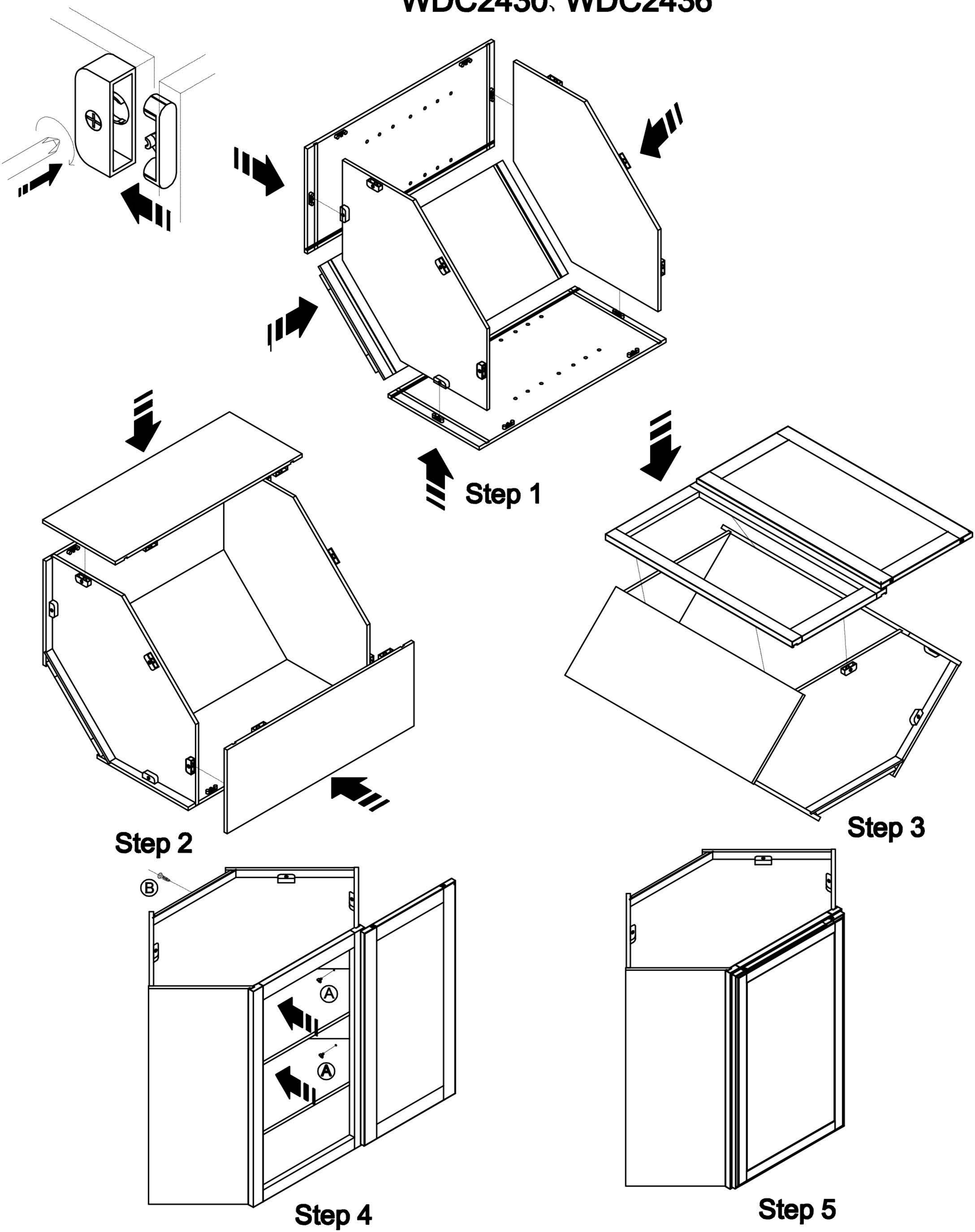


## Mocha Shaker

Pg. 39



Code	A	B
Icon		
Number	16PS	2PS

WDC2430, WDC2436

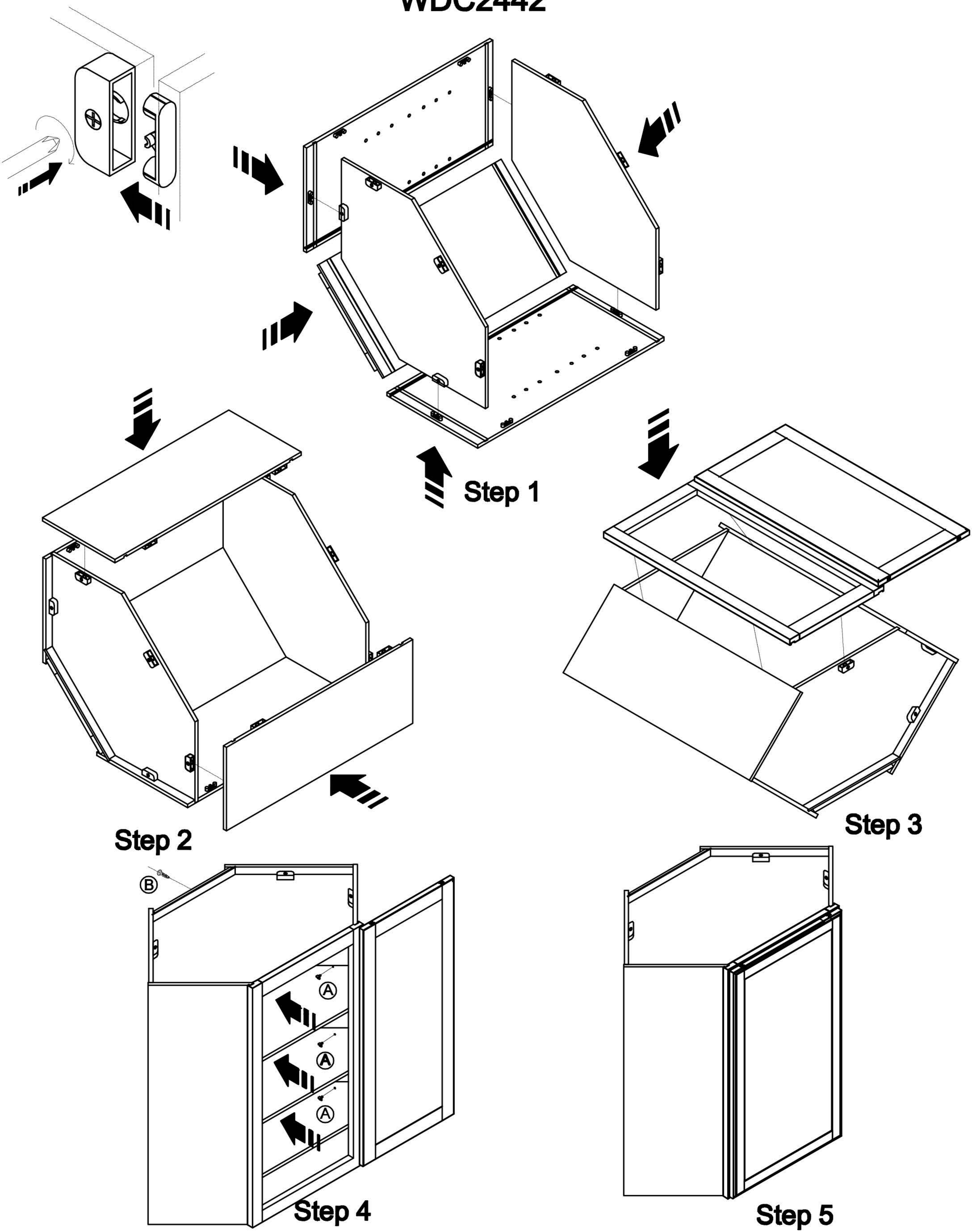


## Mocha Shaker

Pg. 40


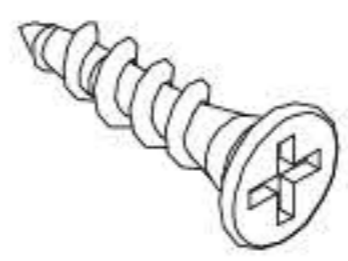
Code	A	B
Icon		
Number	24PS	2PS

WDC2442

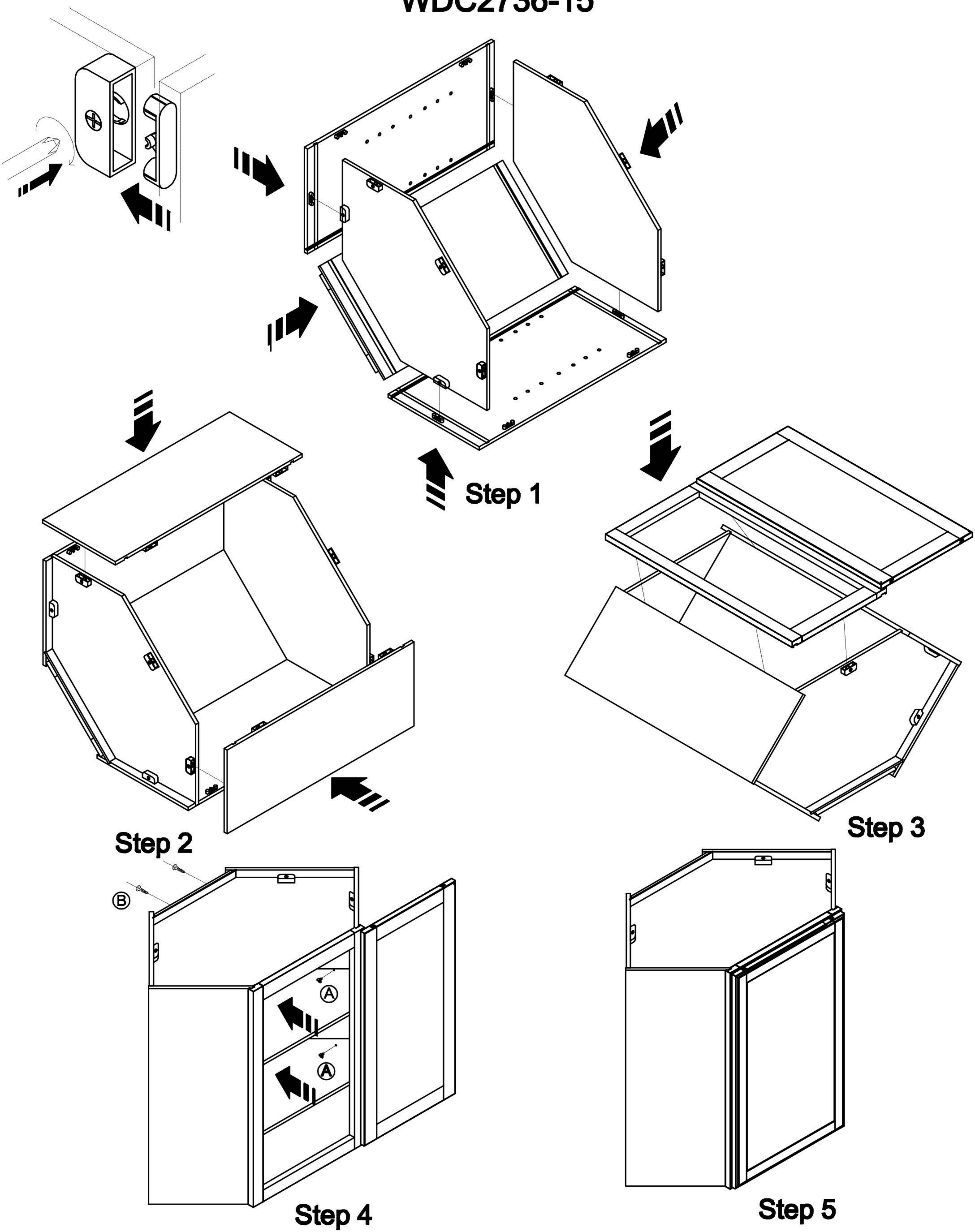


## Mocha Shaker

Pg. 41


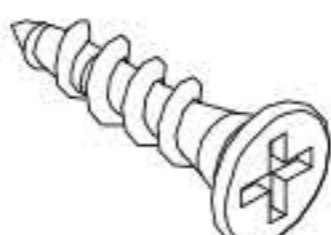
Code	A	B
Icon		
Number	16PS	4PS

WDC2736-15

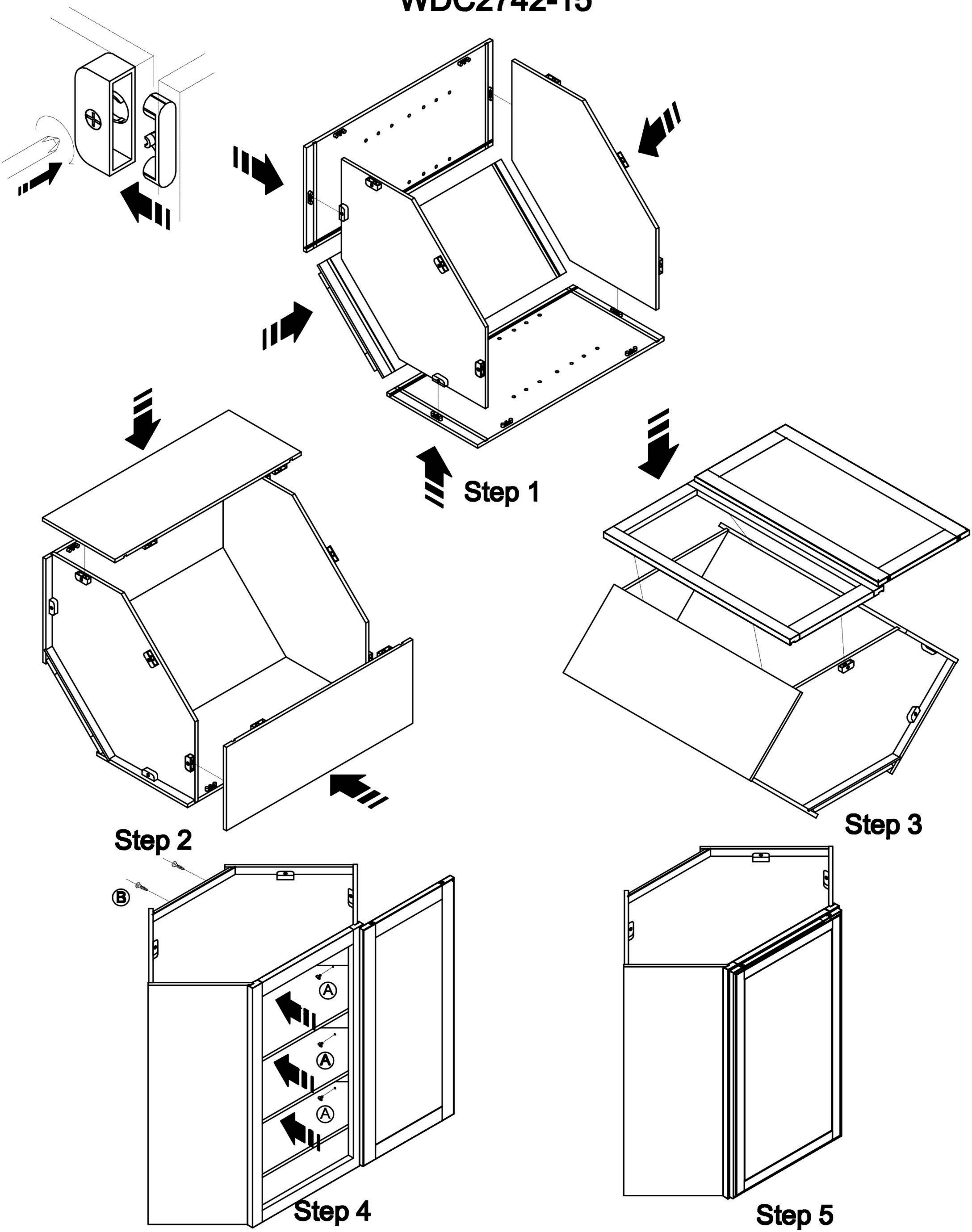


# LORY CABINETS

## Mocha Shaker Pg. 42

Code	A	B
Icon		
Number	24PS	4PS

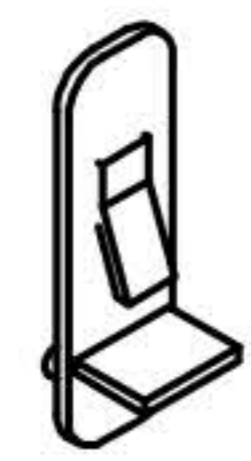
WDC2742-15



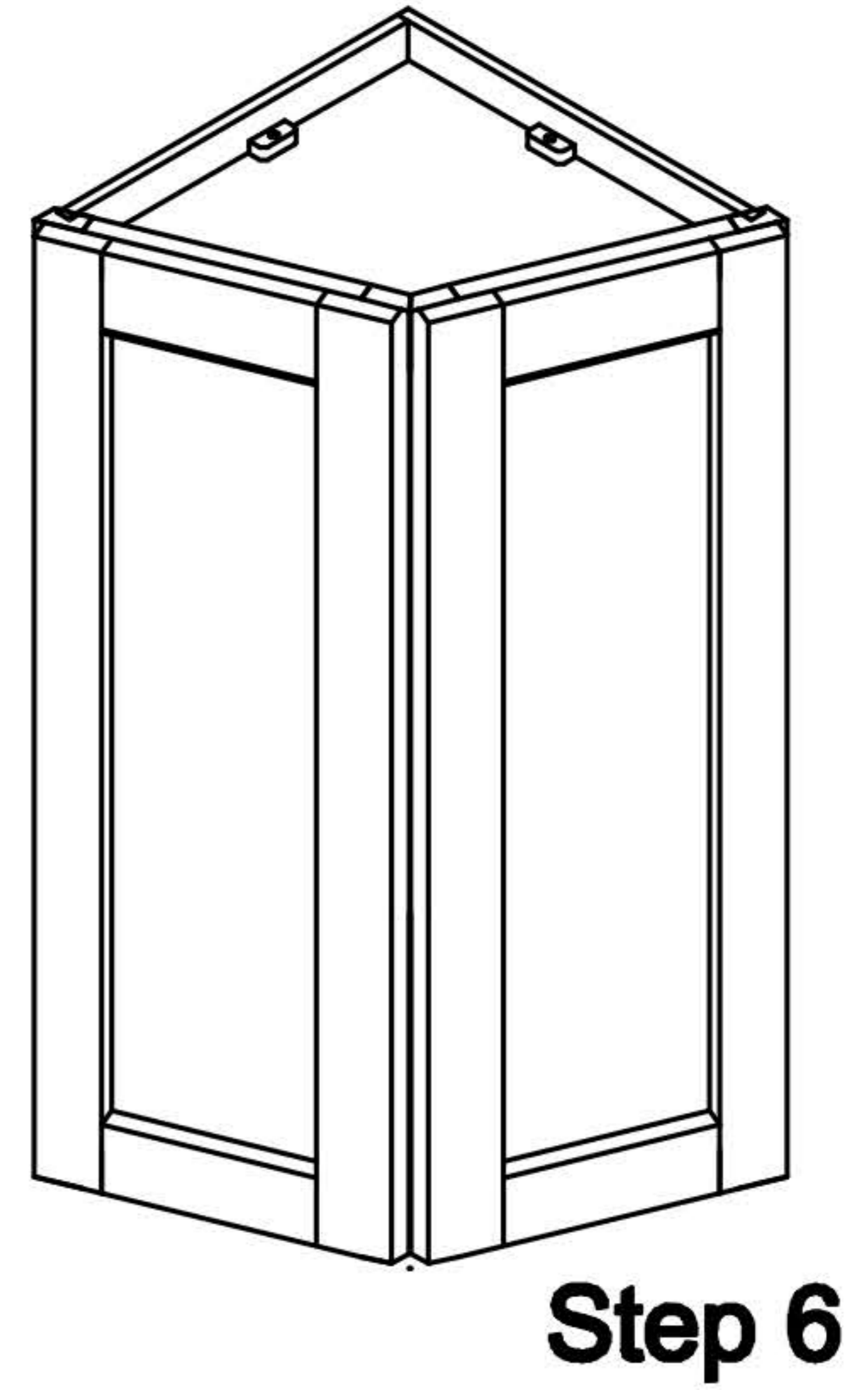
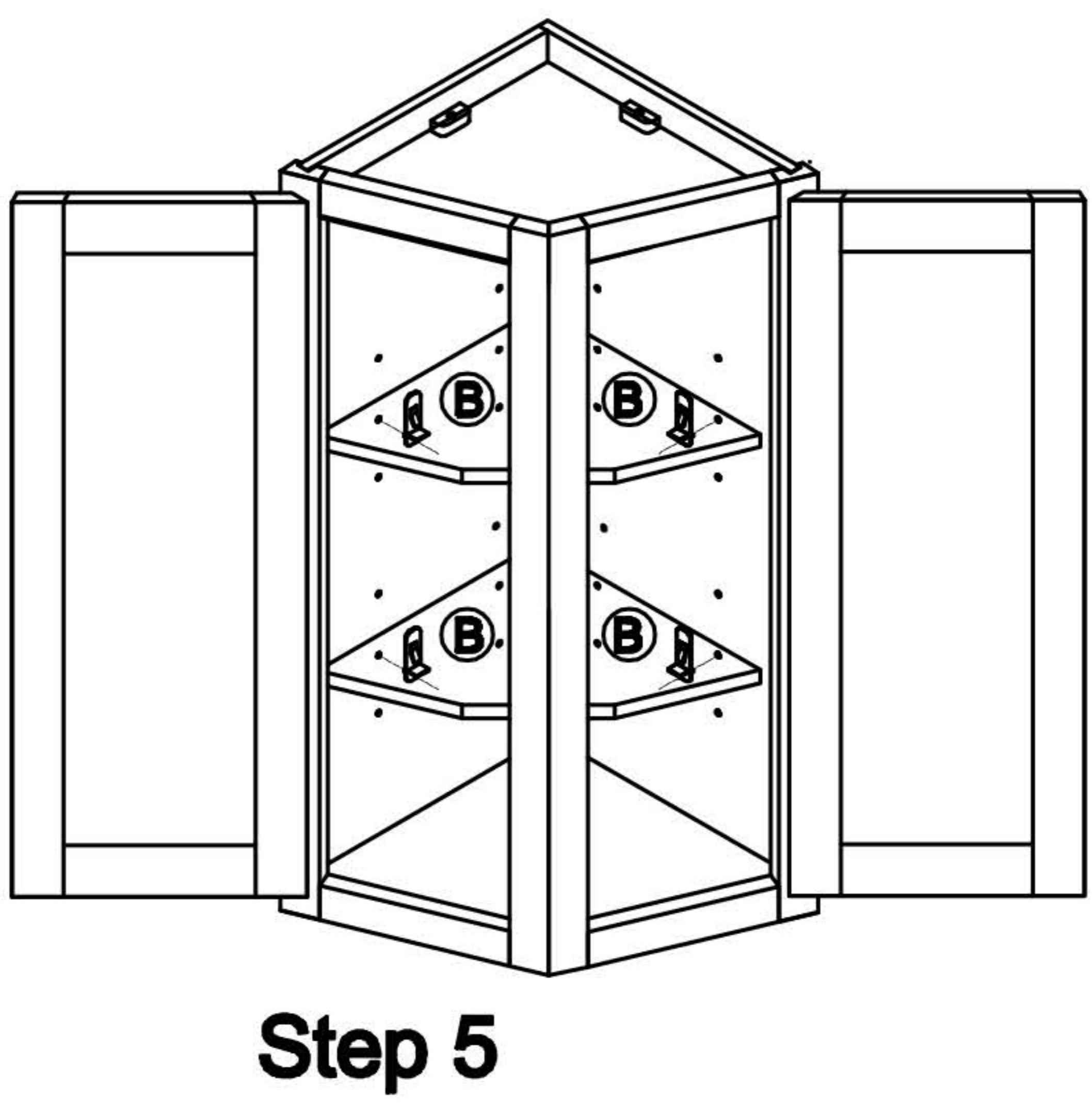
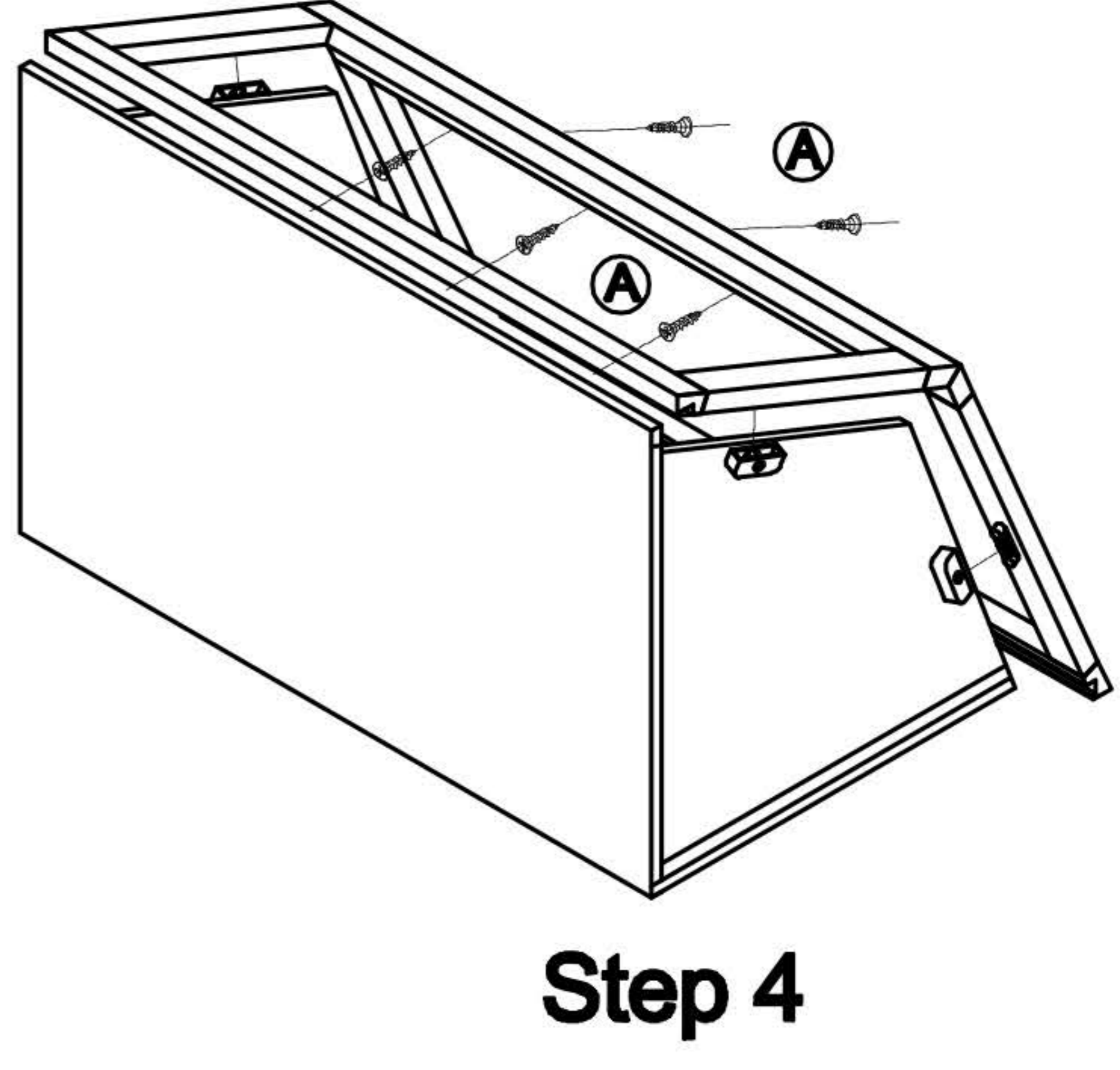
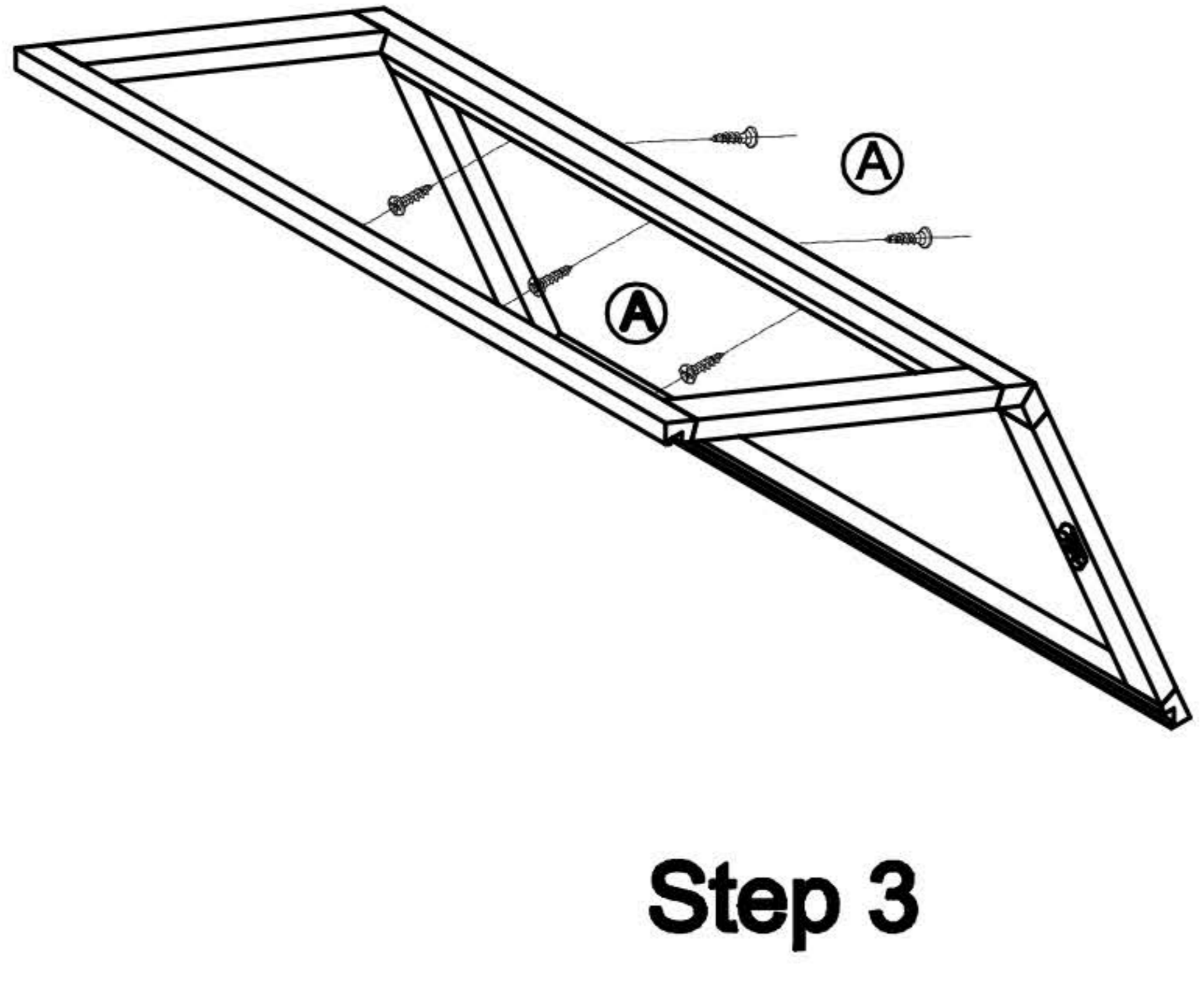
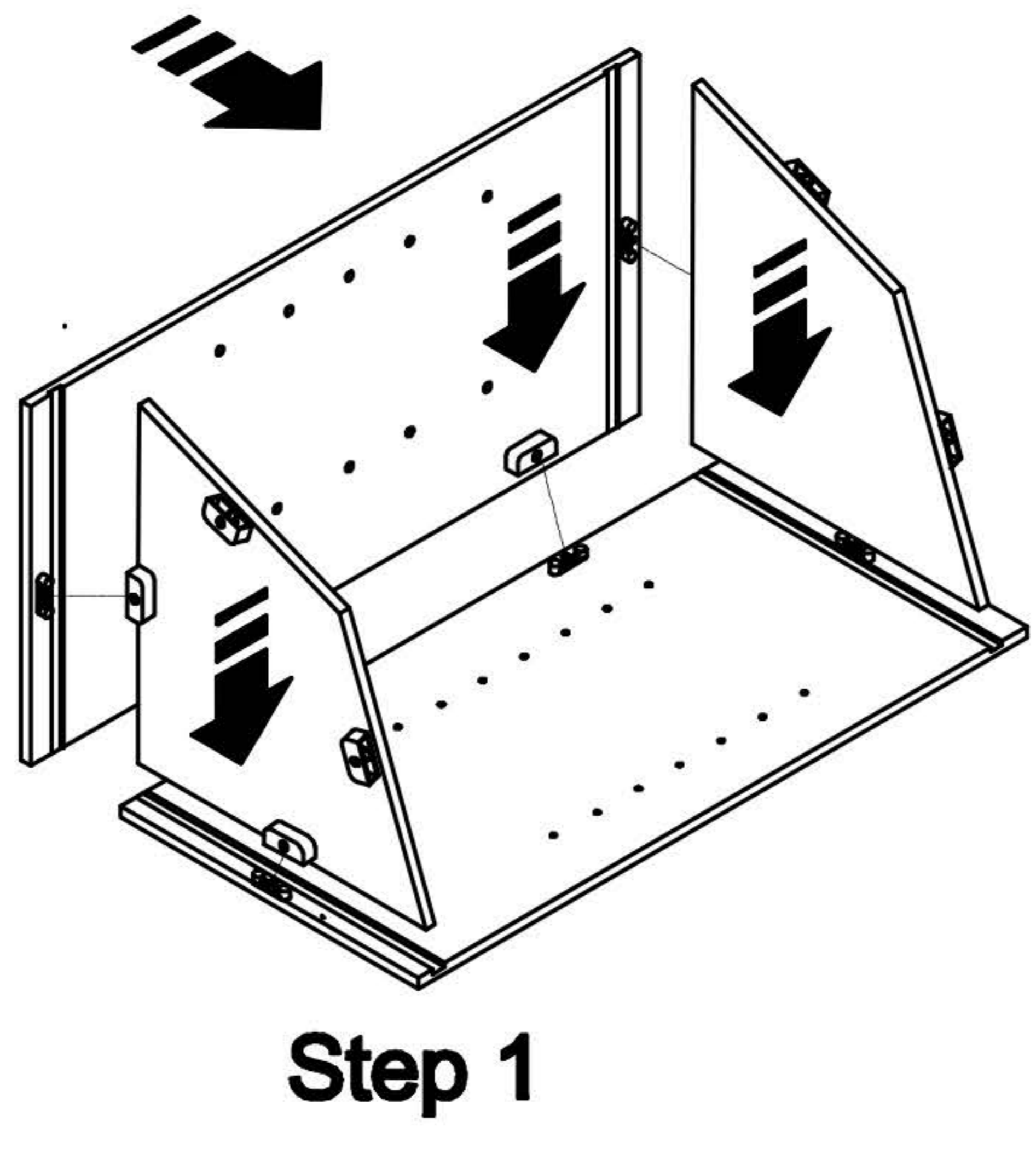
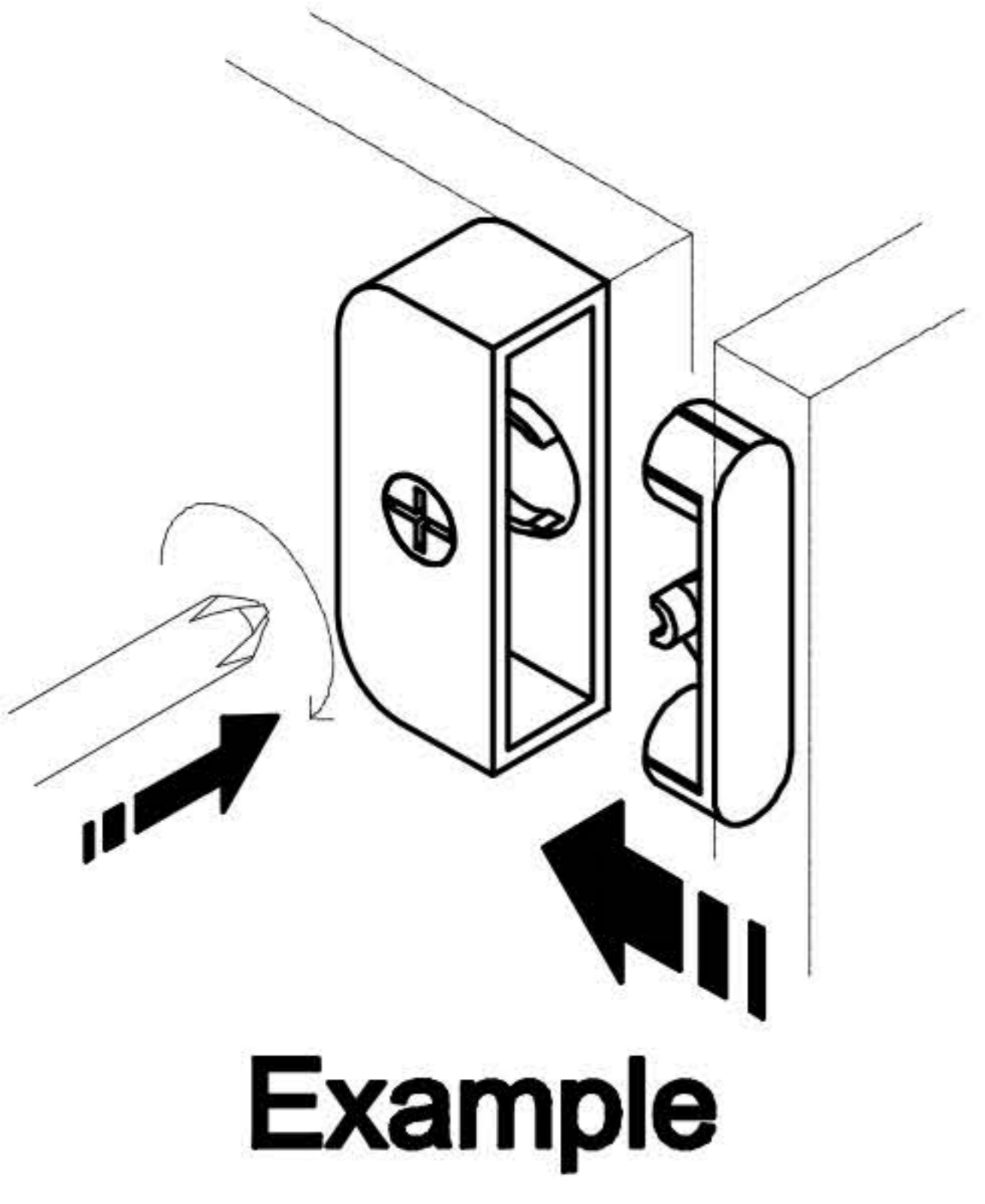
# LORY CABINETS

## Mocha Shaker

Pg. 43

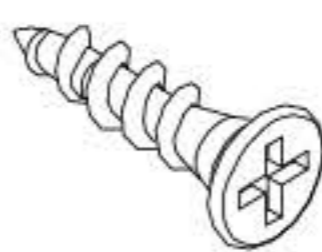
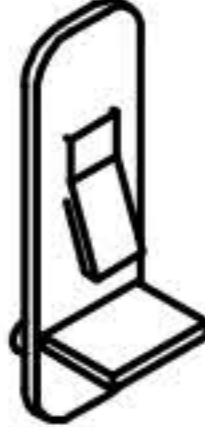
Code	A	B
Icon	1"	
Number	5PS	8PS

WEC1230\WEC1236

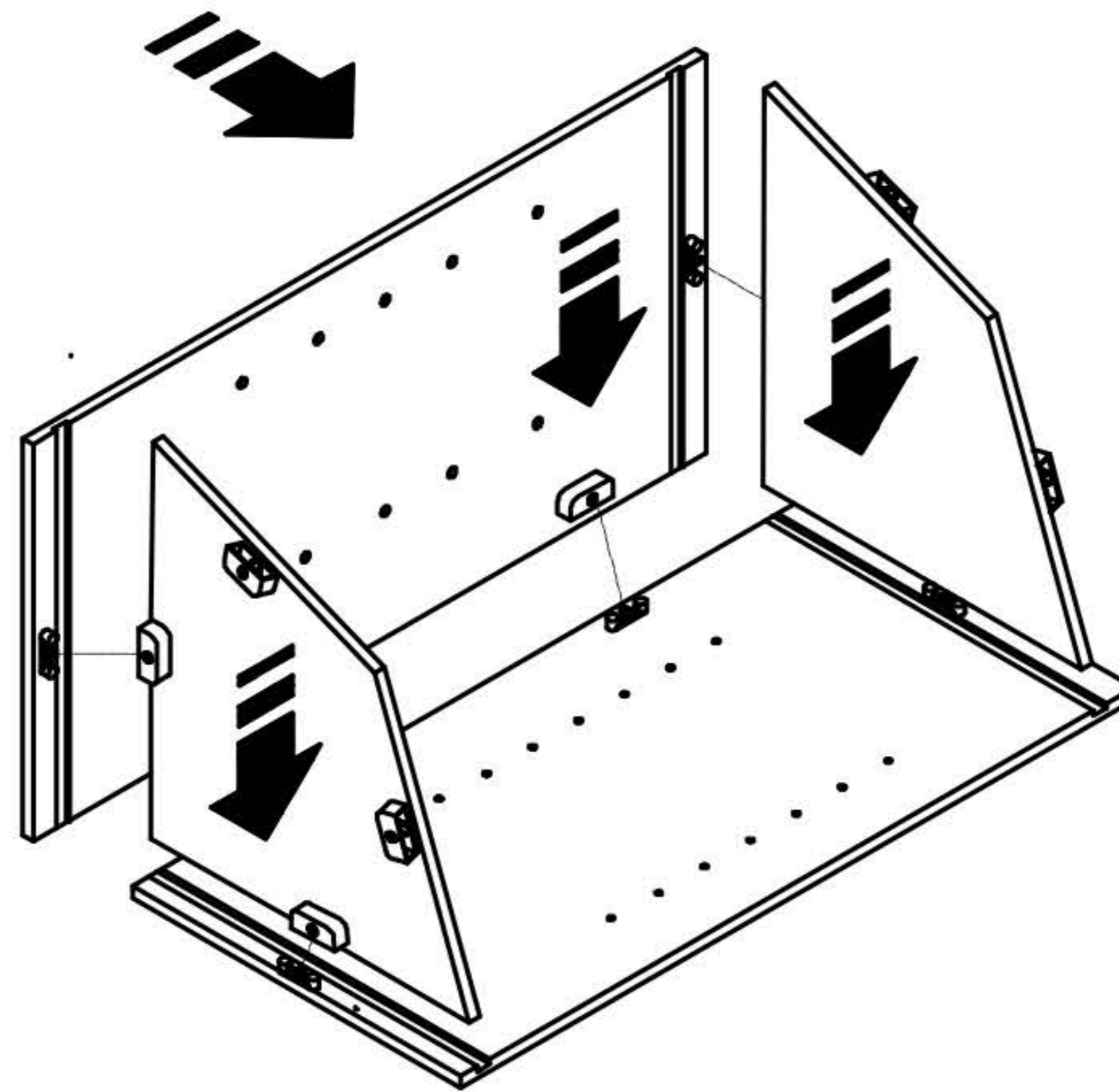
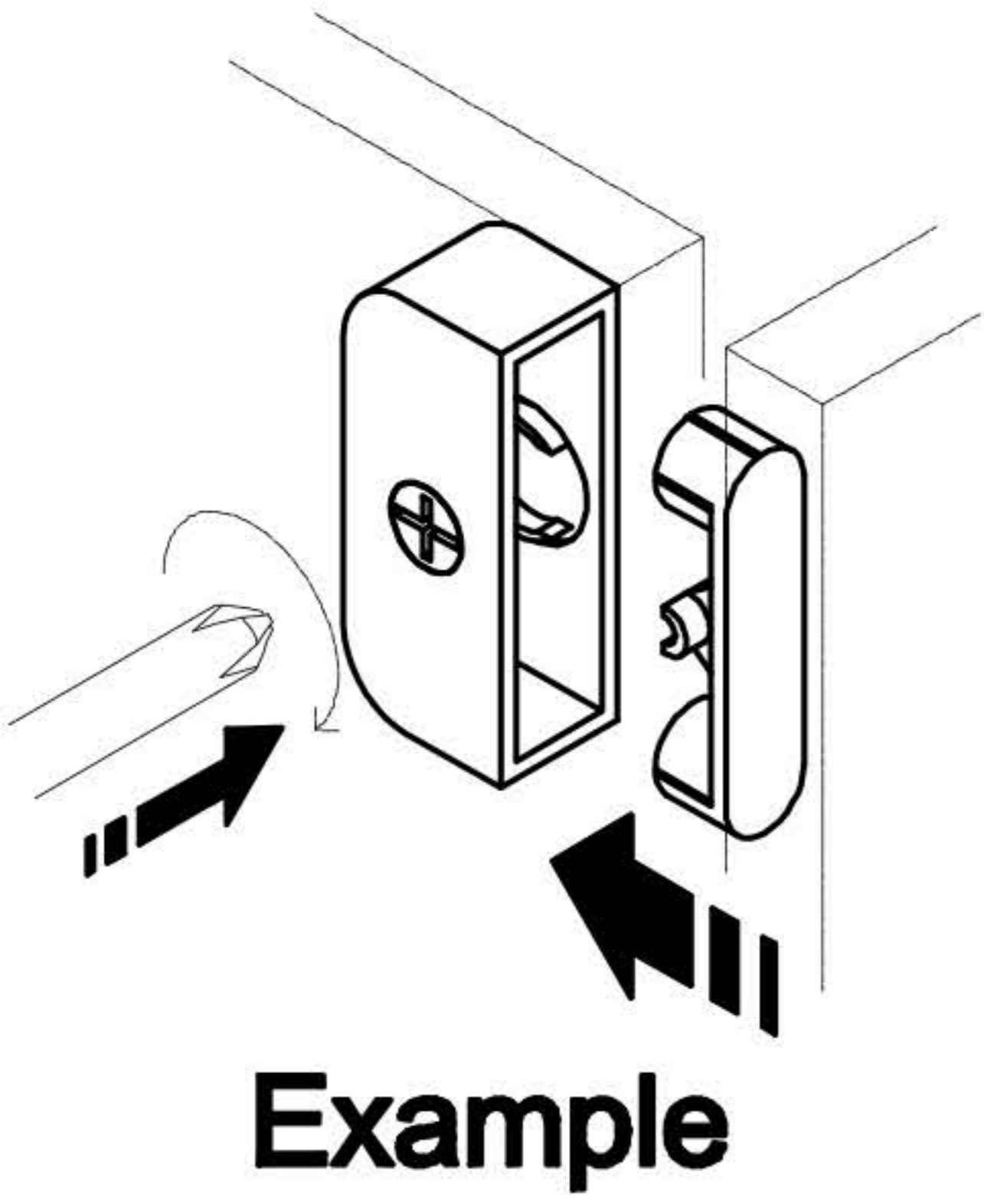


# LORY CABINETS

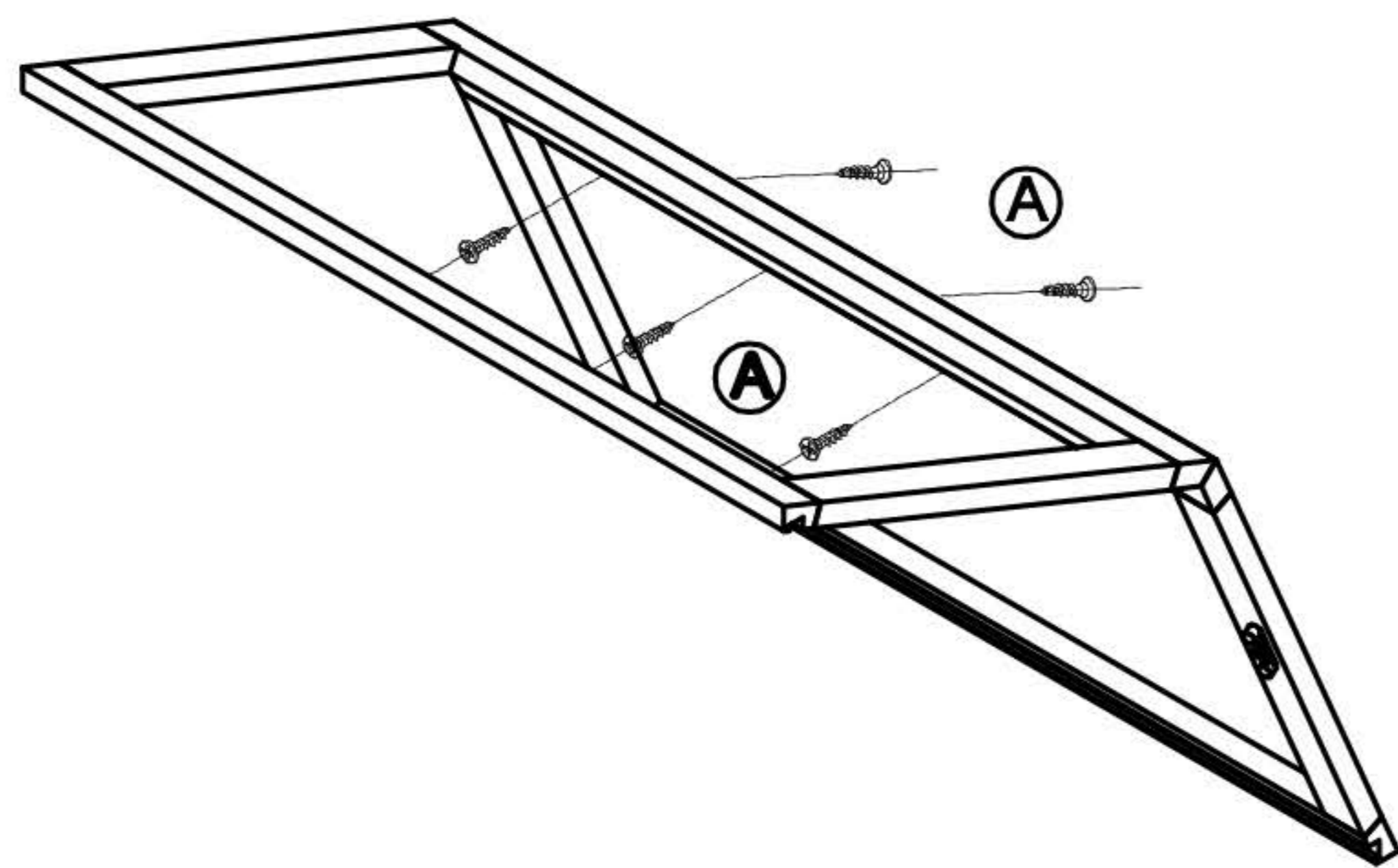
## Mocha Shaker Pg. 44

Code	A	B
Icon	1" 	
Number	5PS	12PS

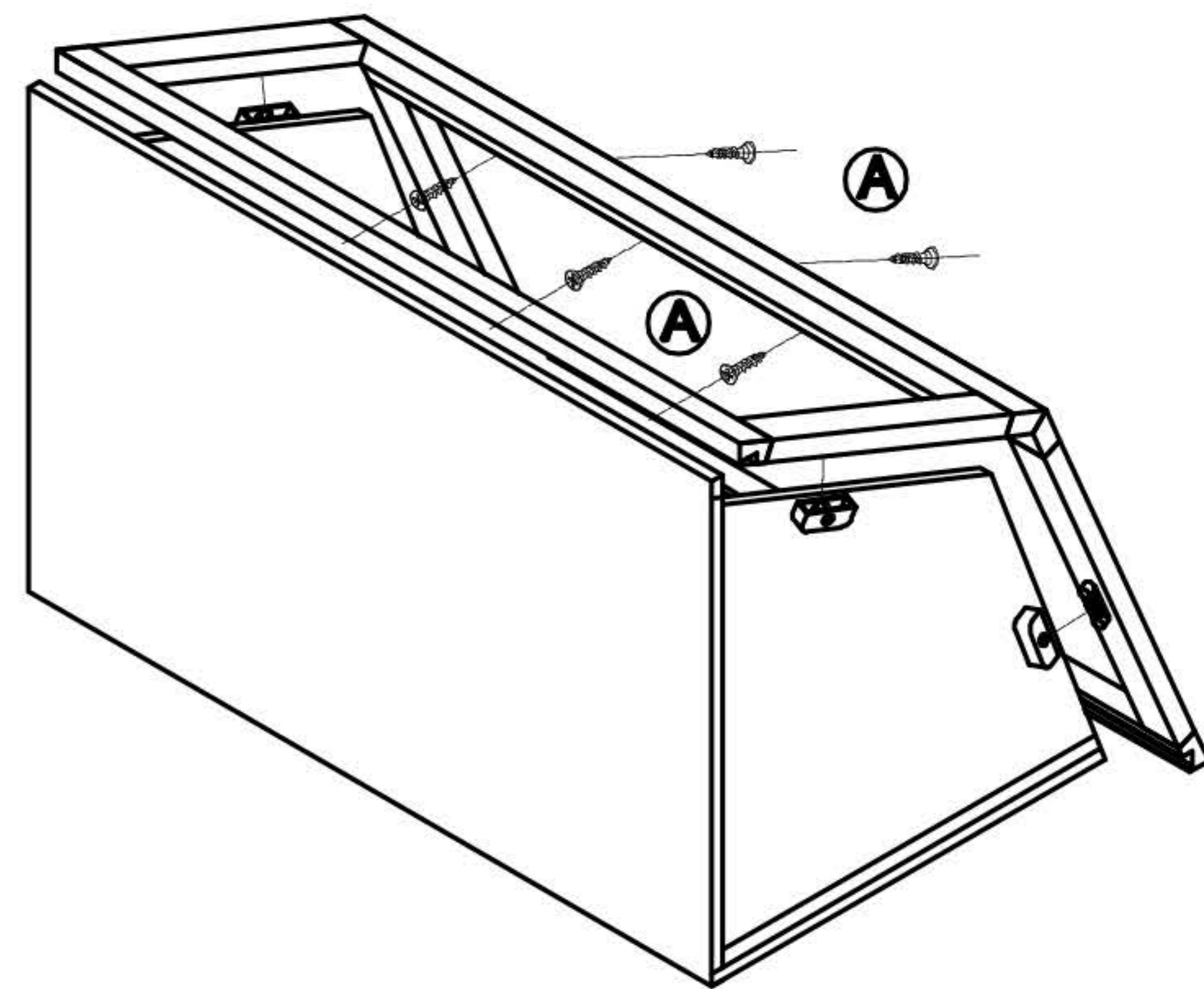
WEC1230\WEC1236



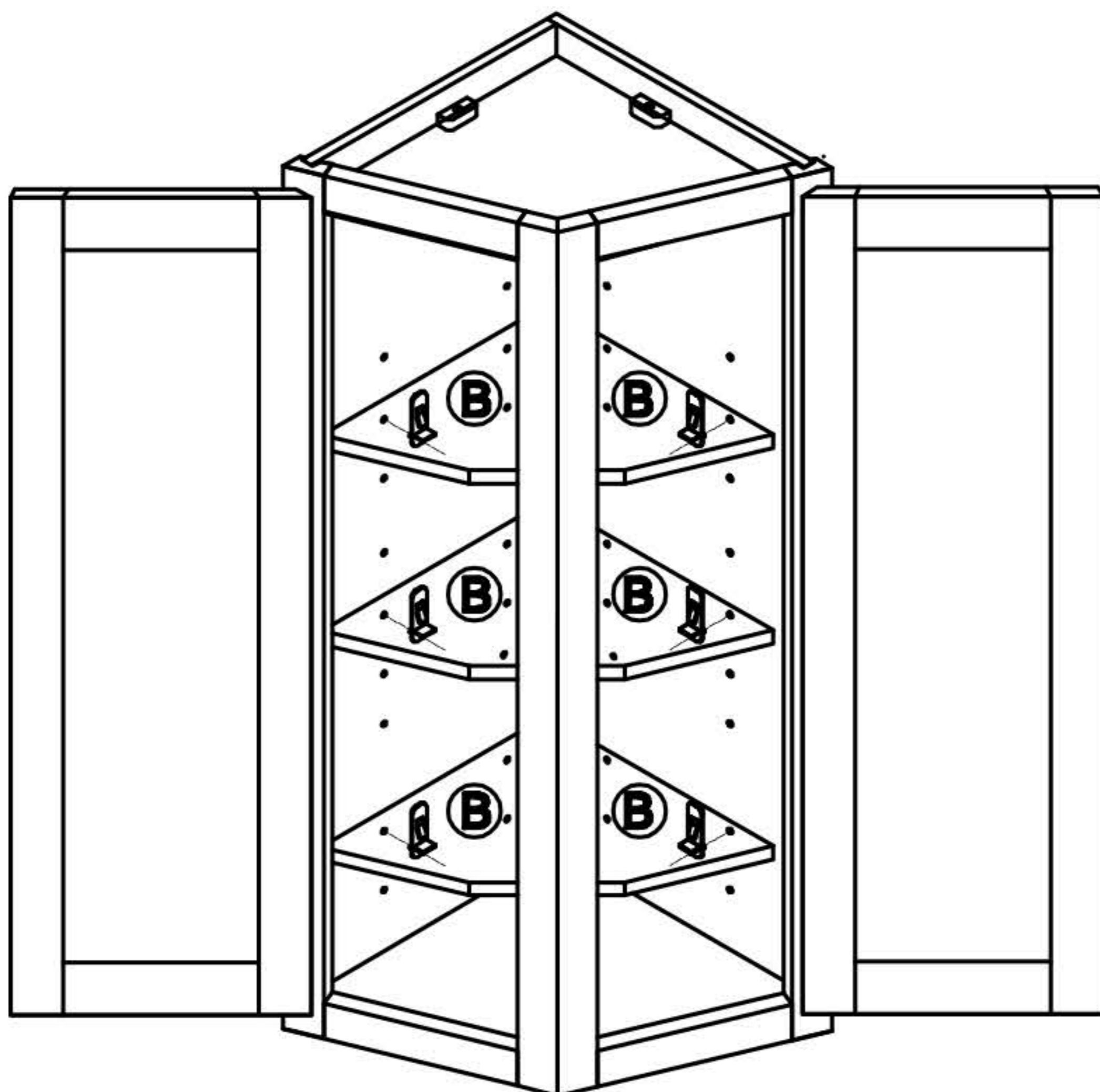
**Step 1**



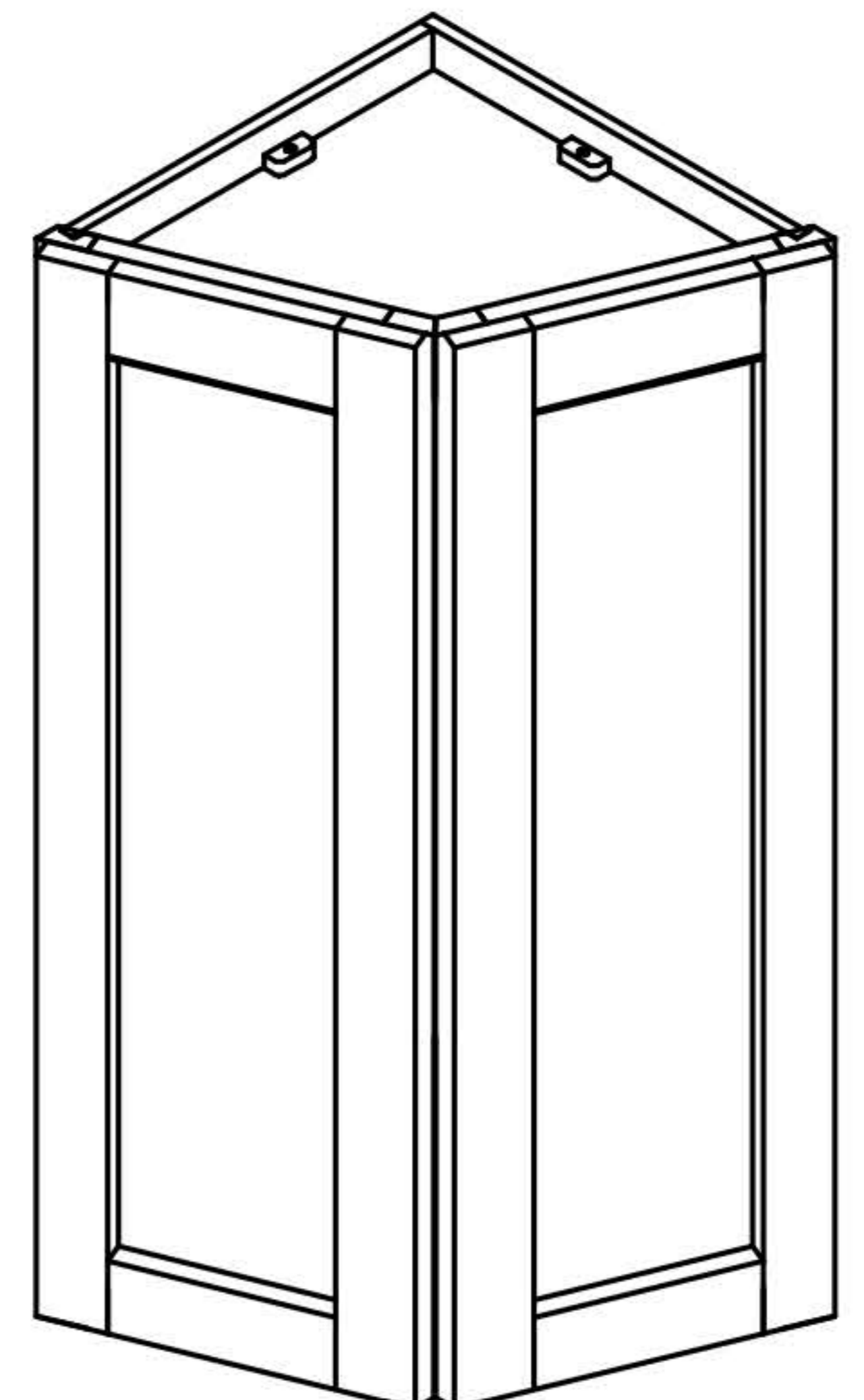
**Step 3**



**Step 4**




**Step 5**

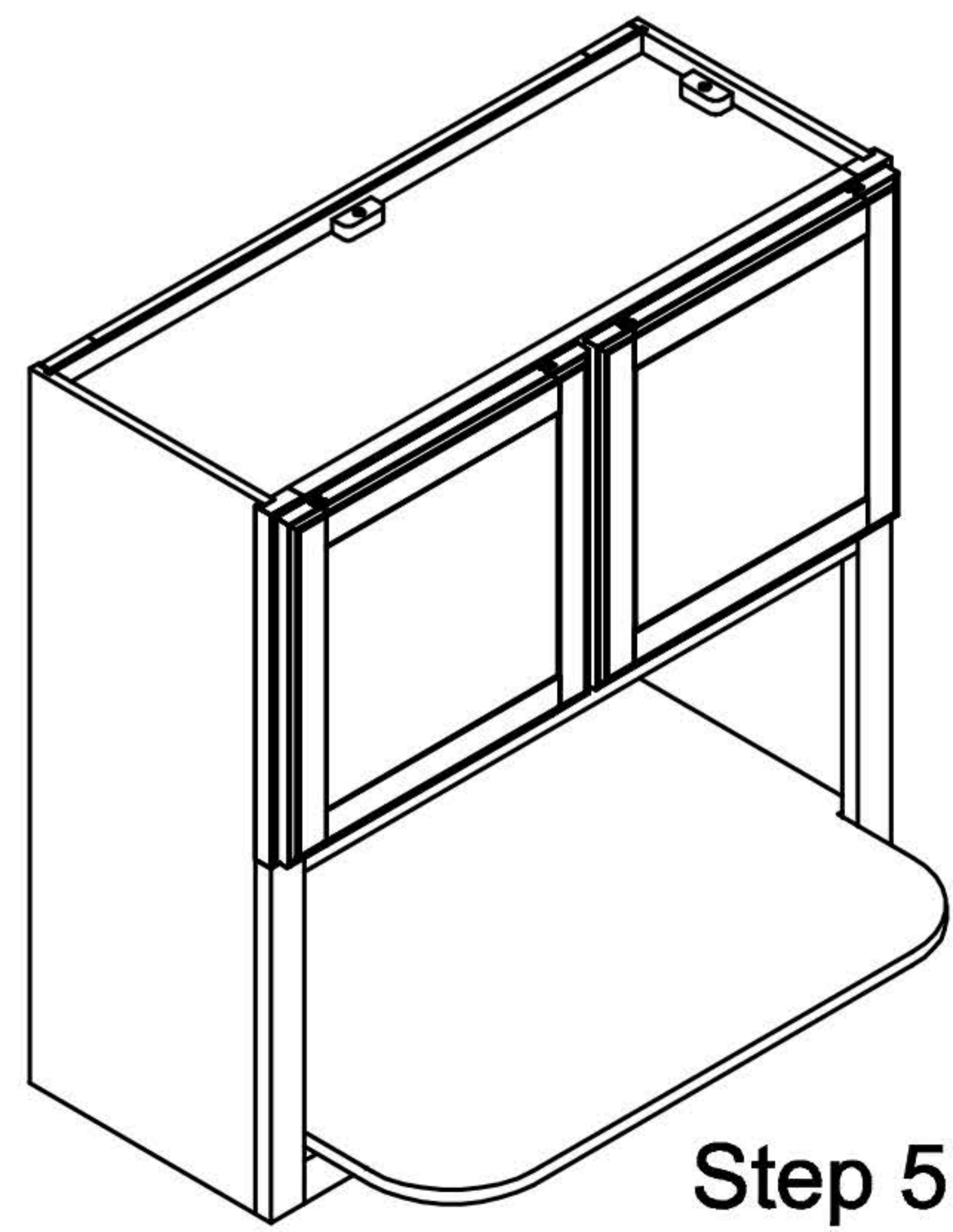
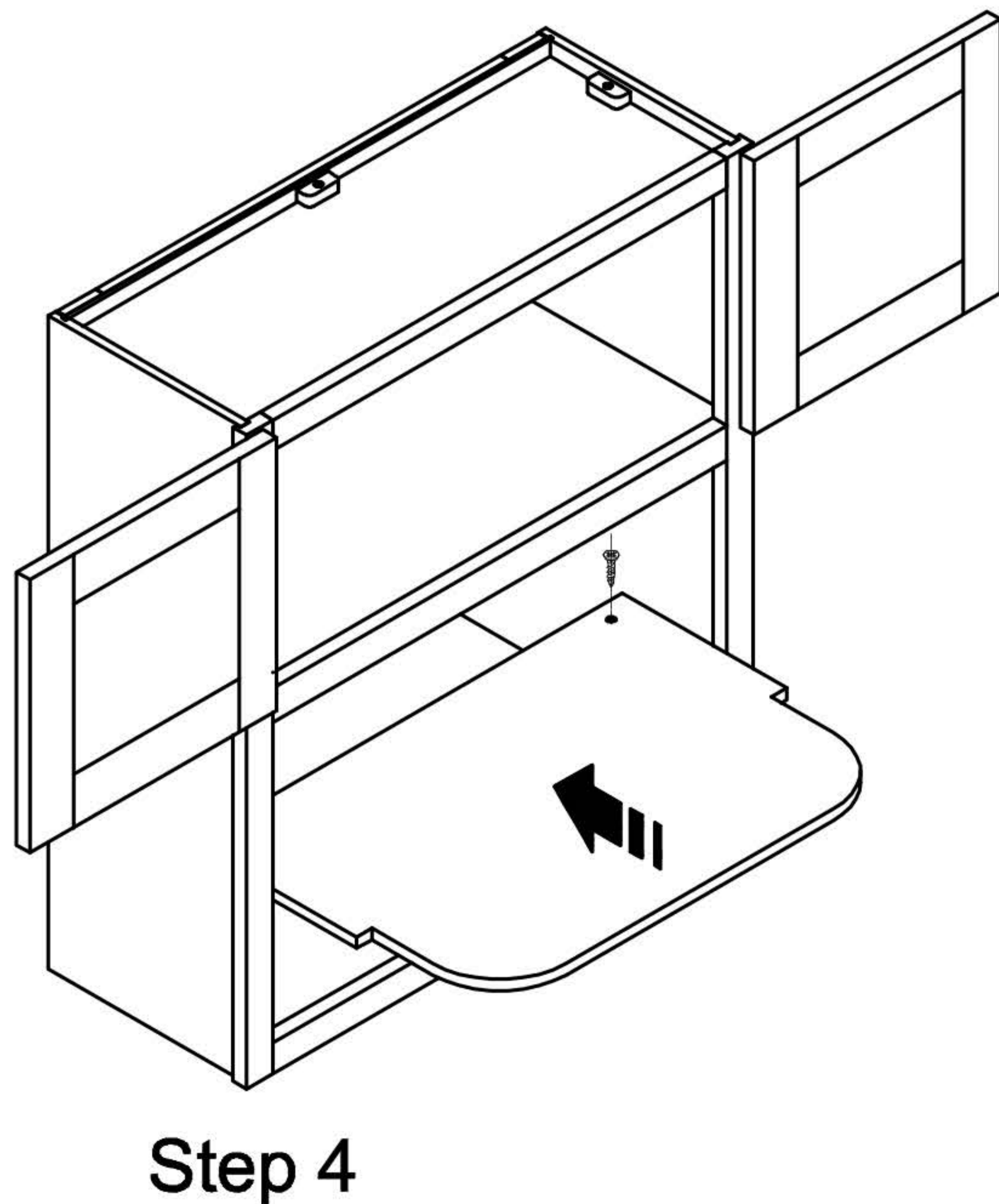
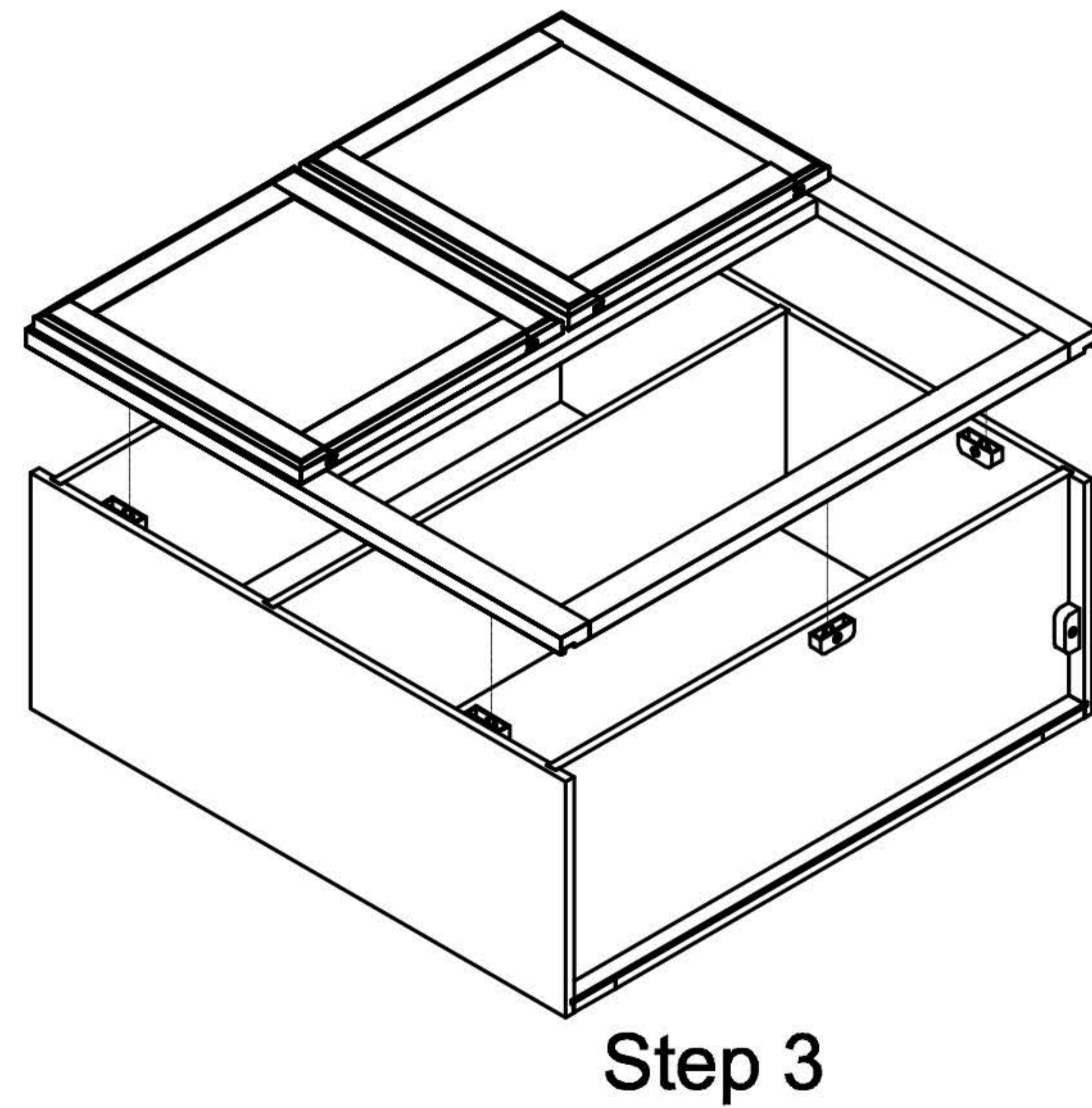
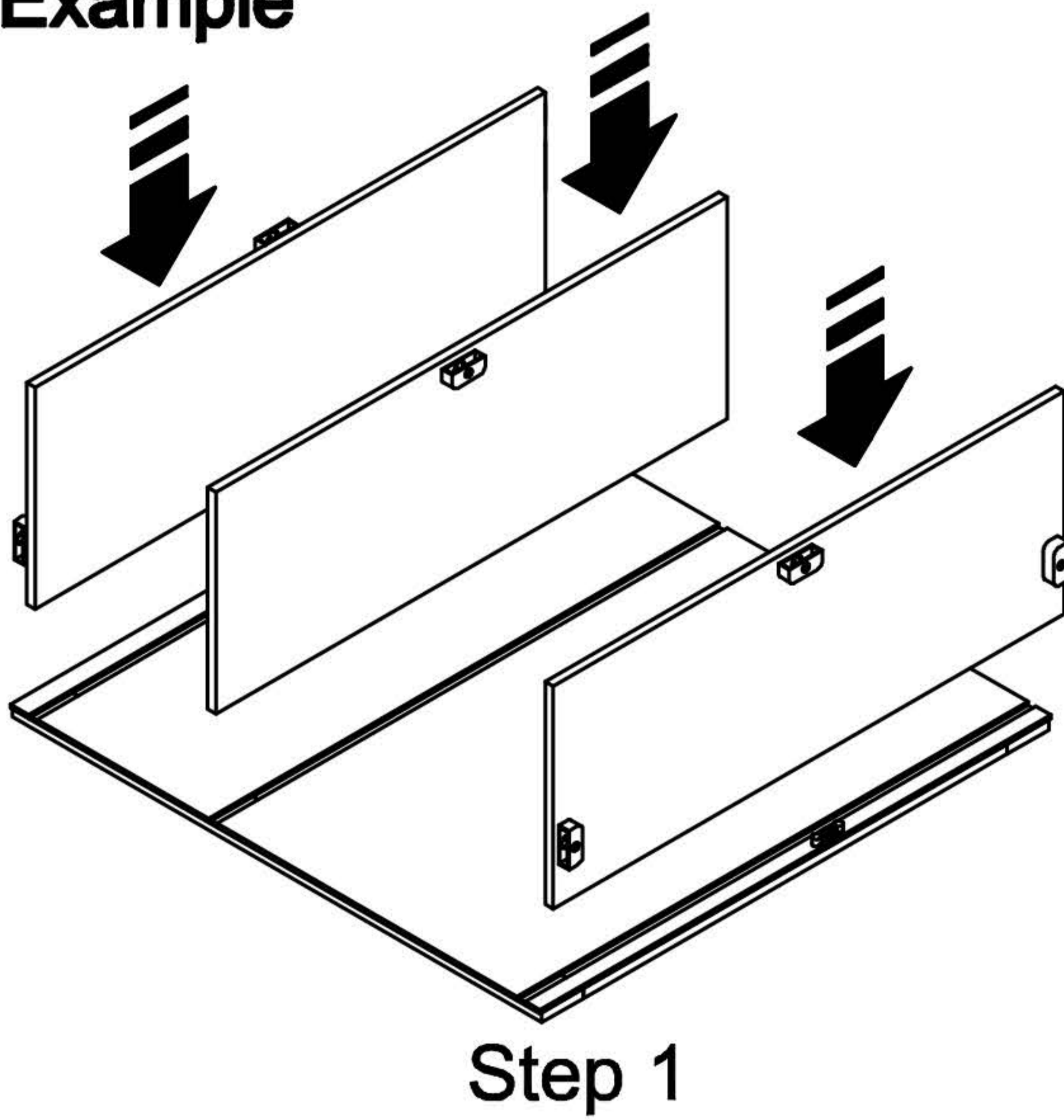
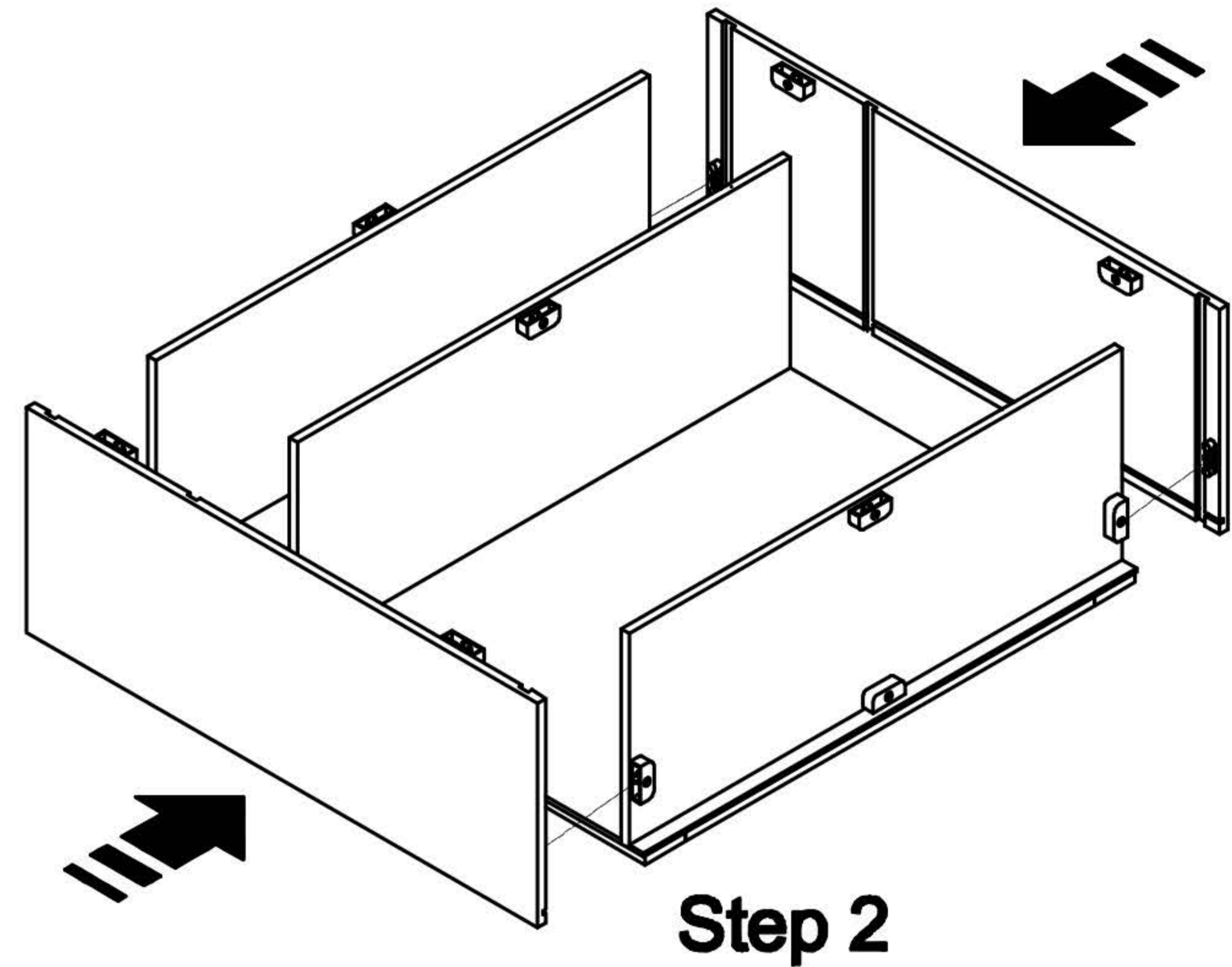
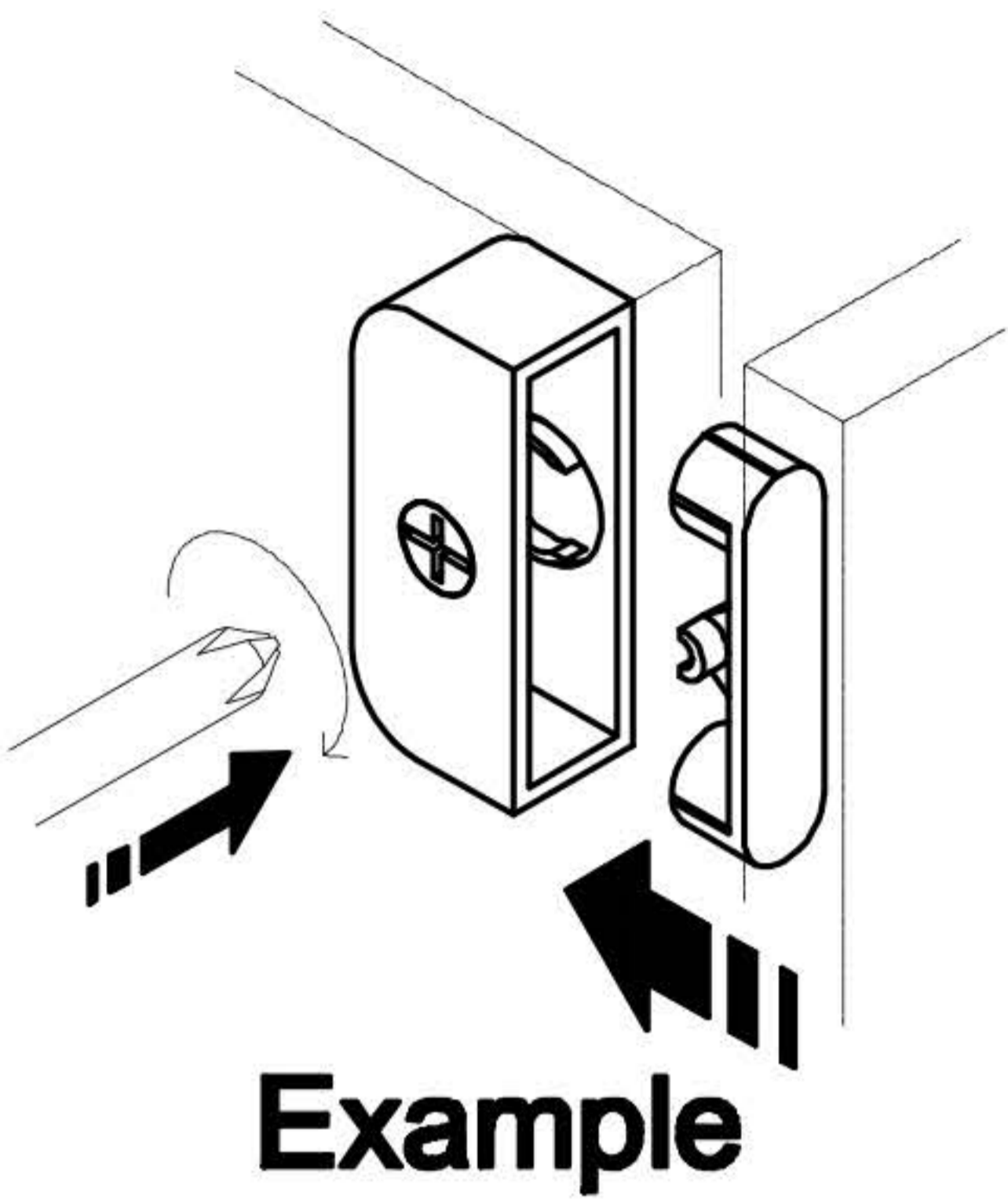


**Step 6**


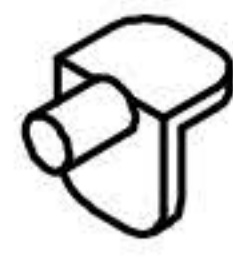
## Mocha Shaker Pg. 45

Code	A
Icon	
Number	2PS

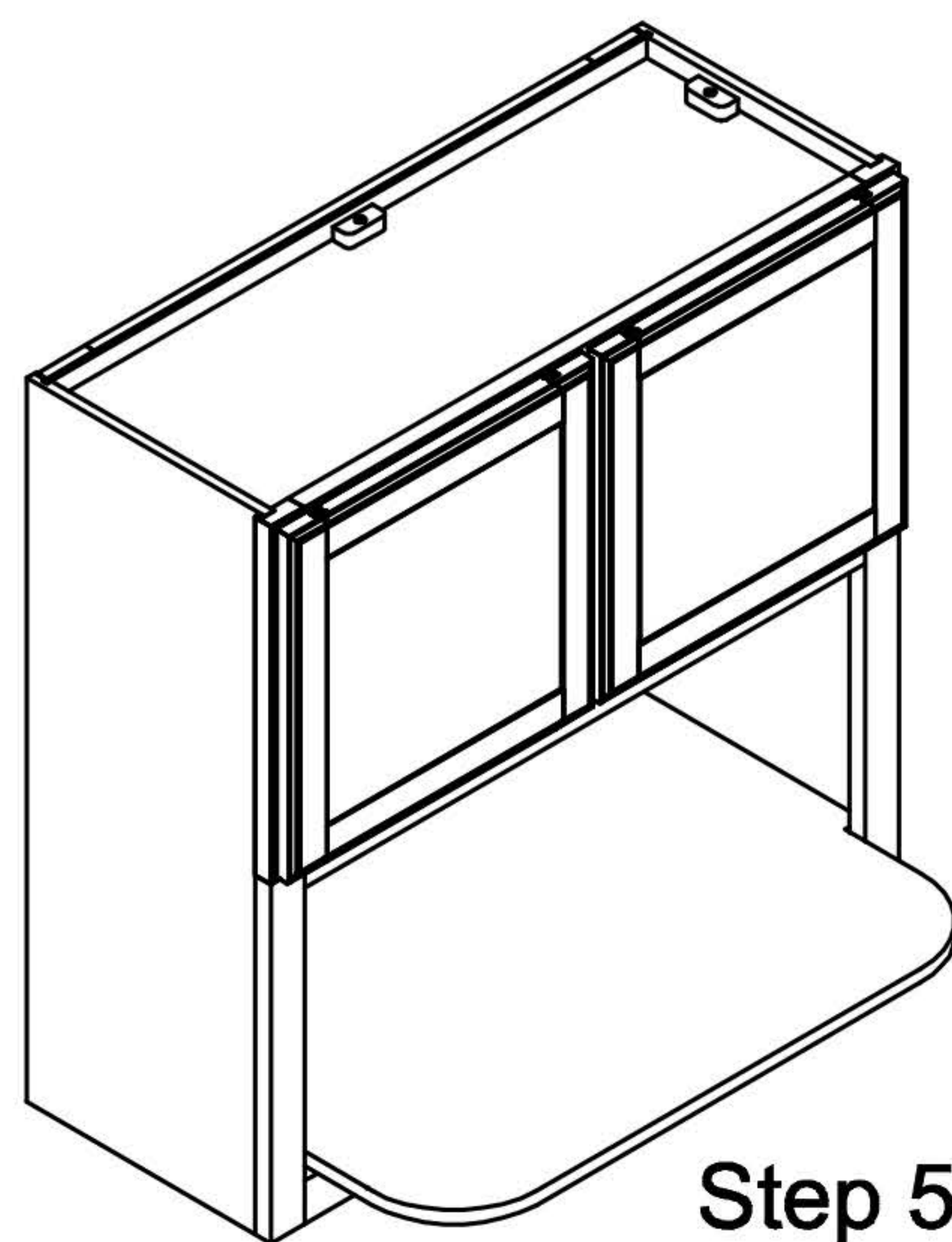
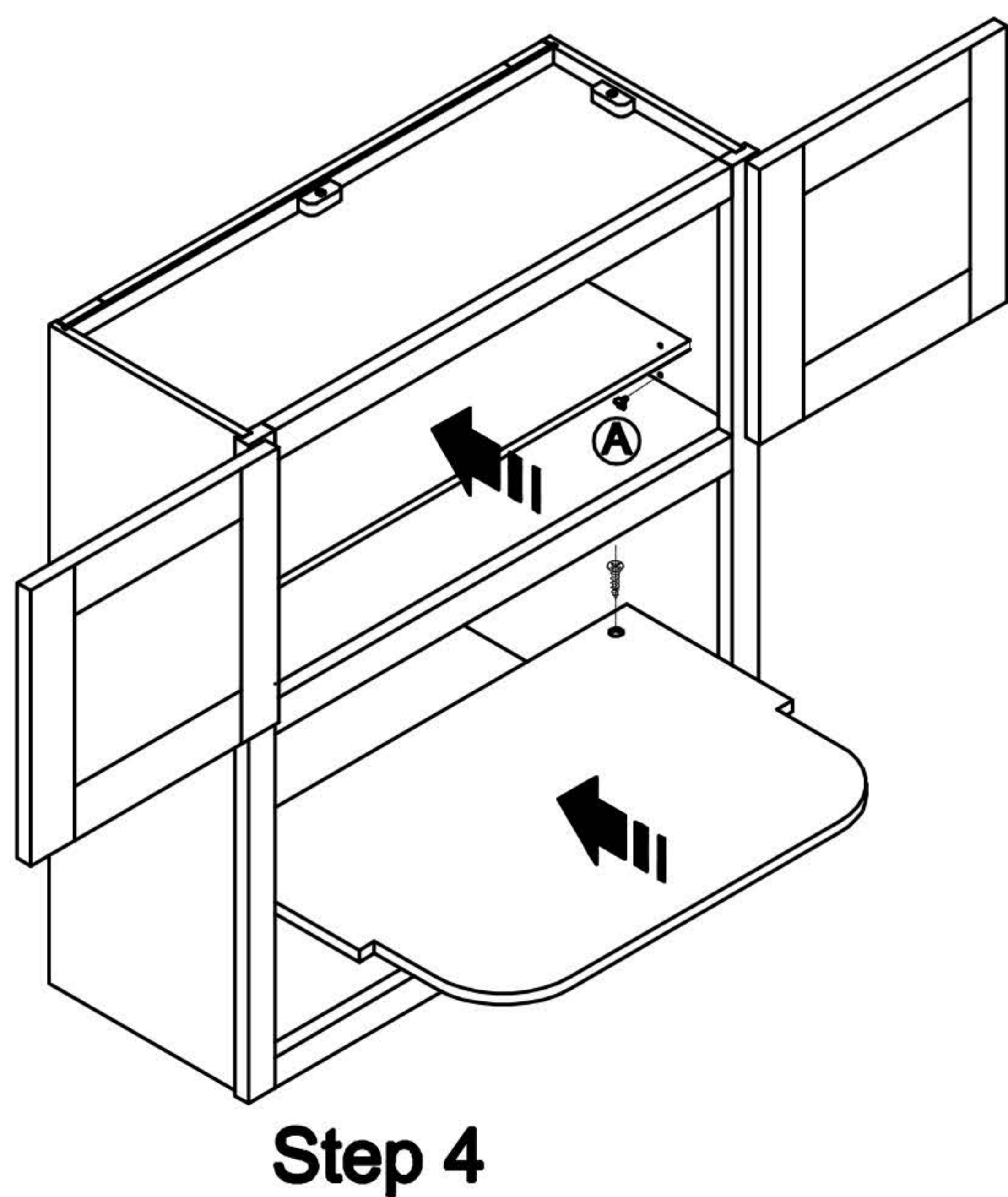
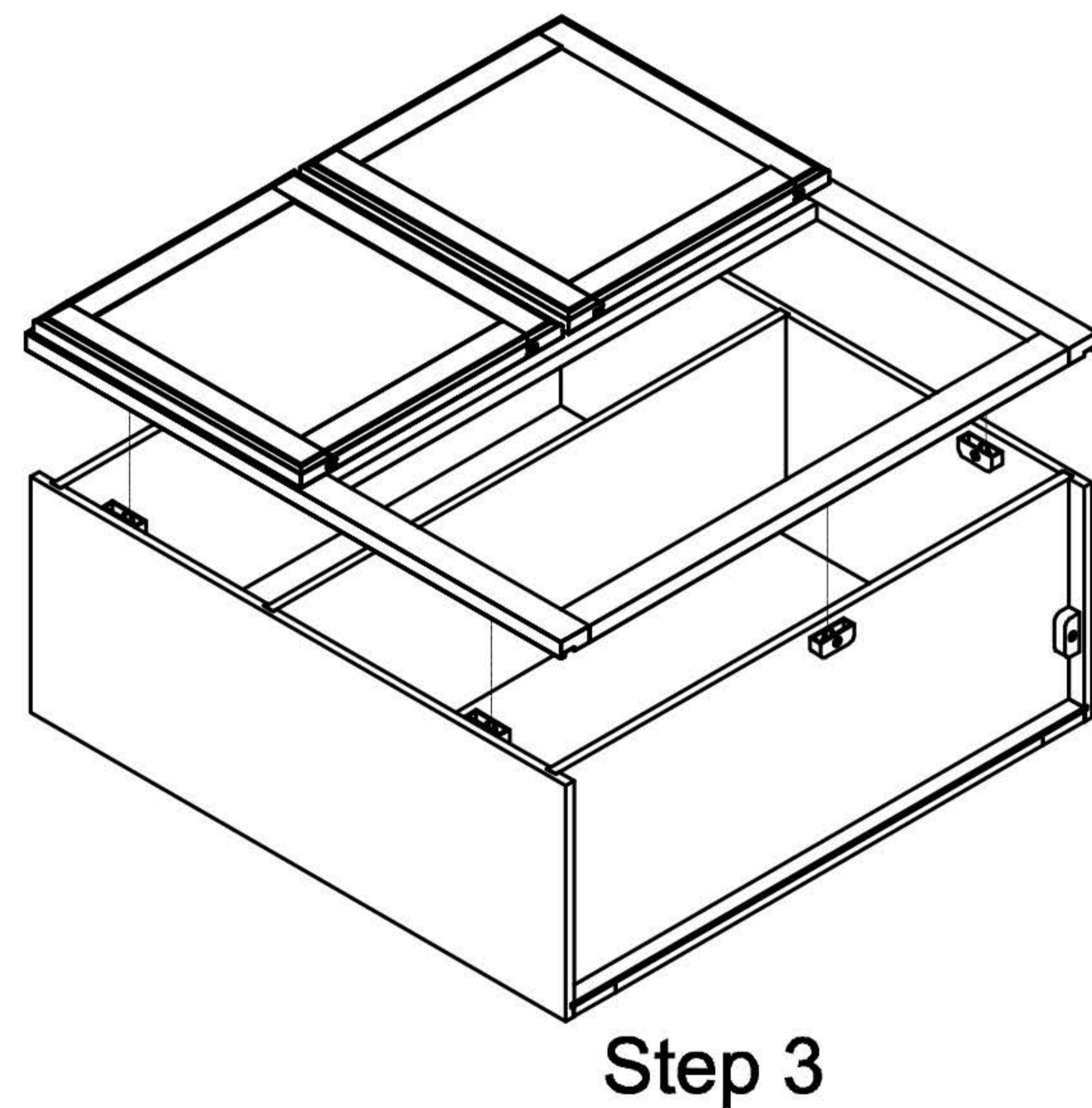
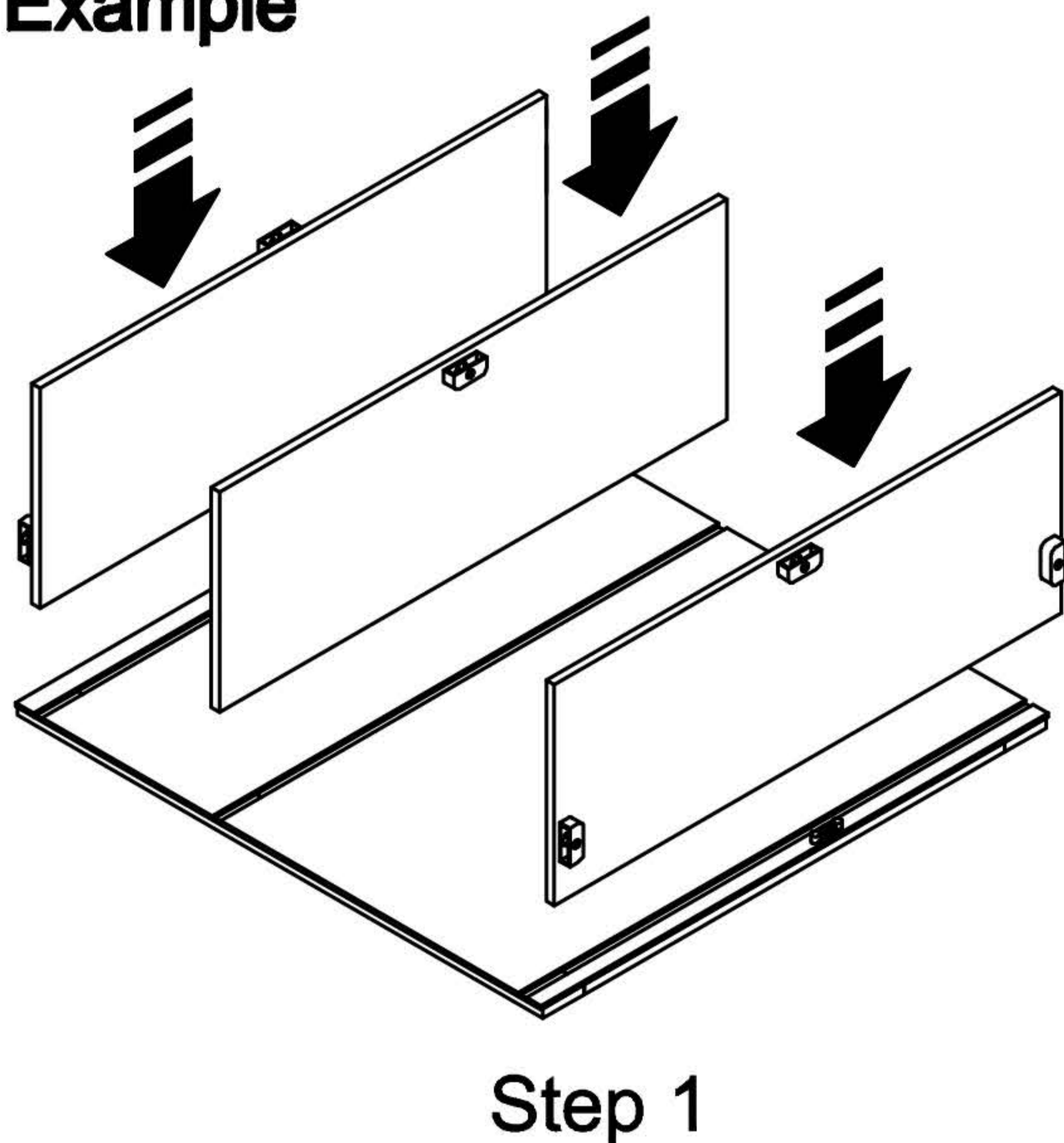
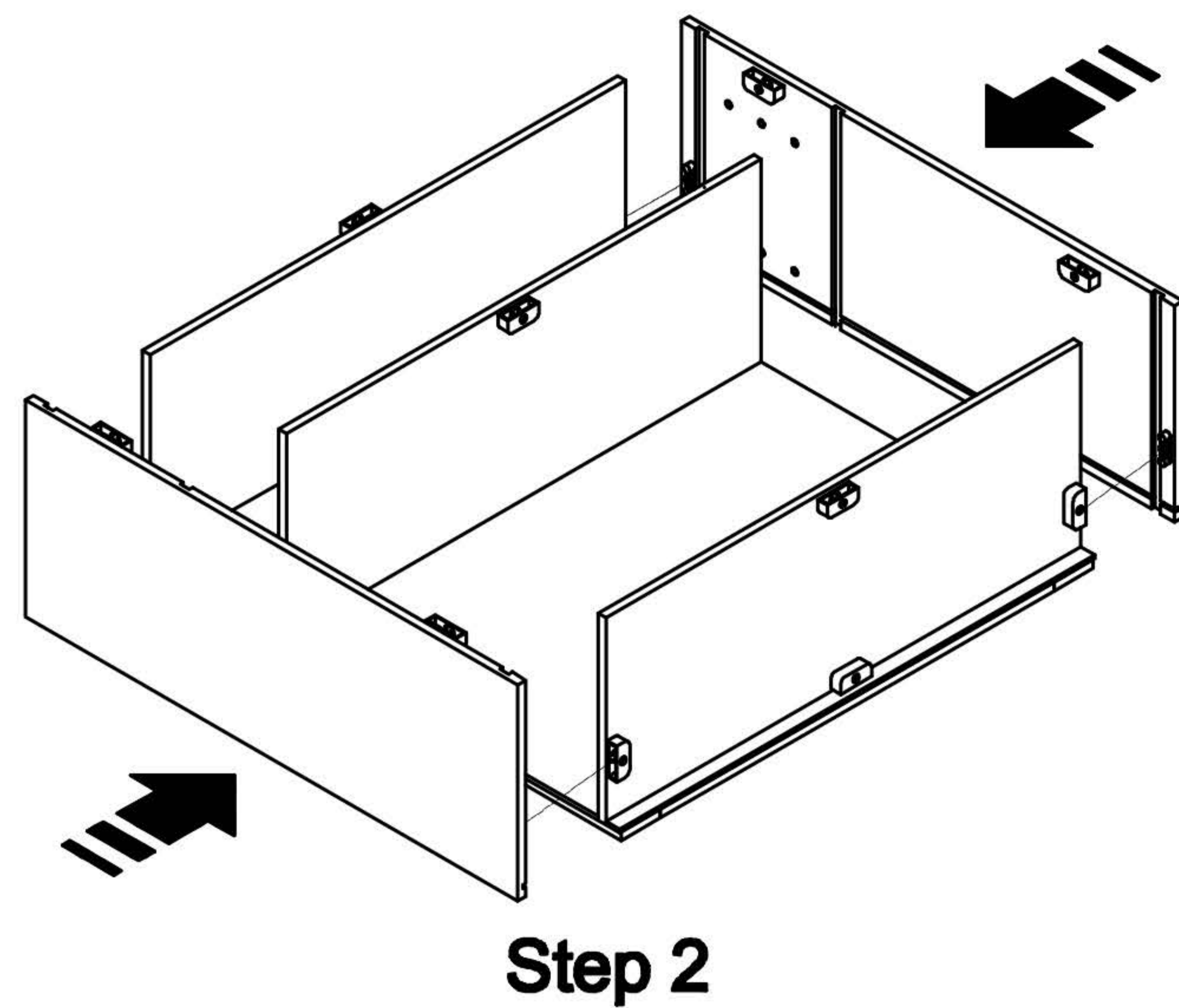
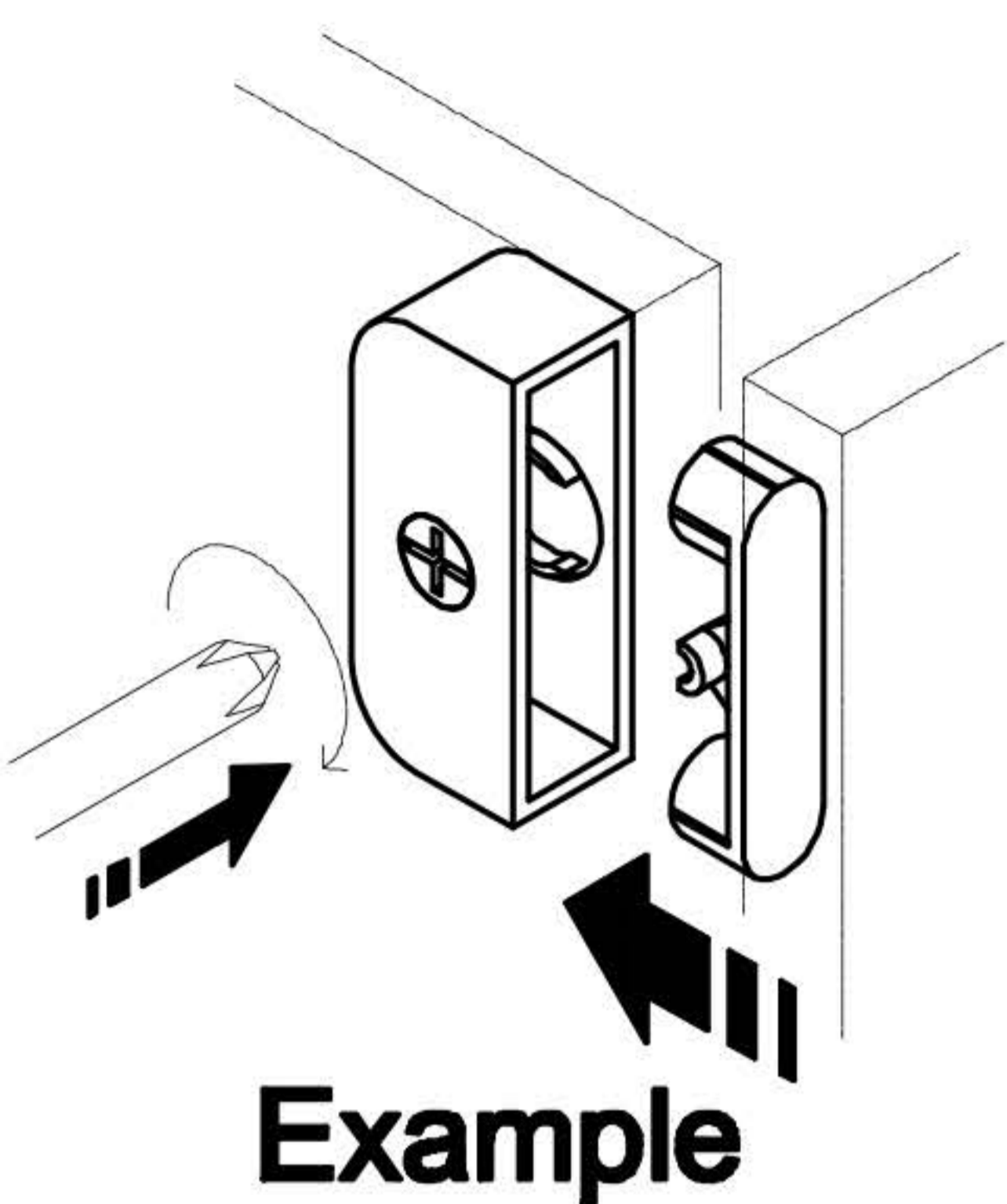
WM3330, WM3336,



## Mocha Shaker Pg. 46

Code	A	B
Icon		
Number	2PS	4PS

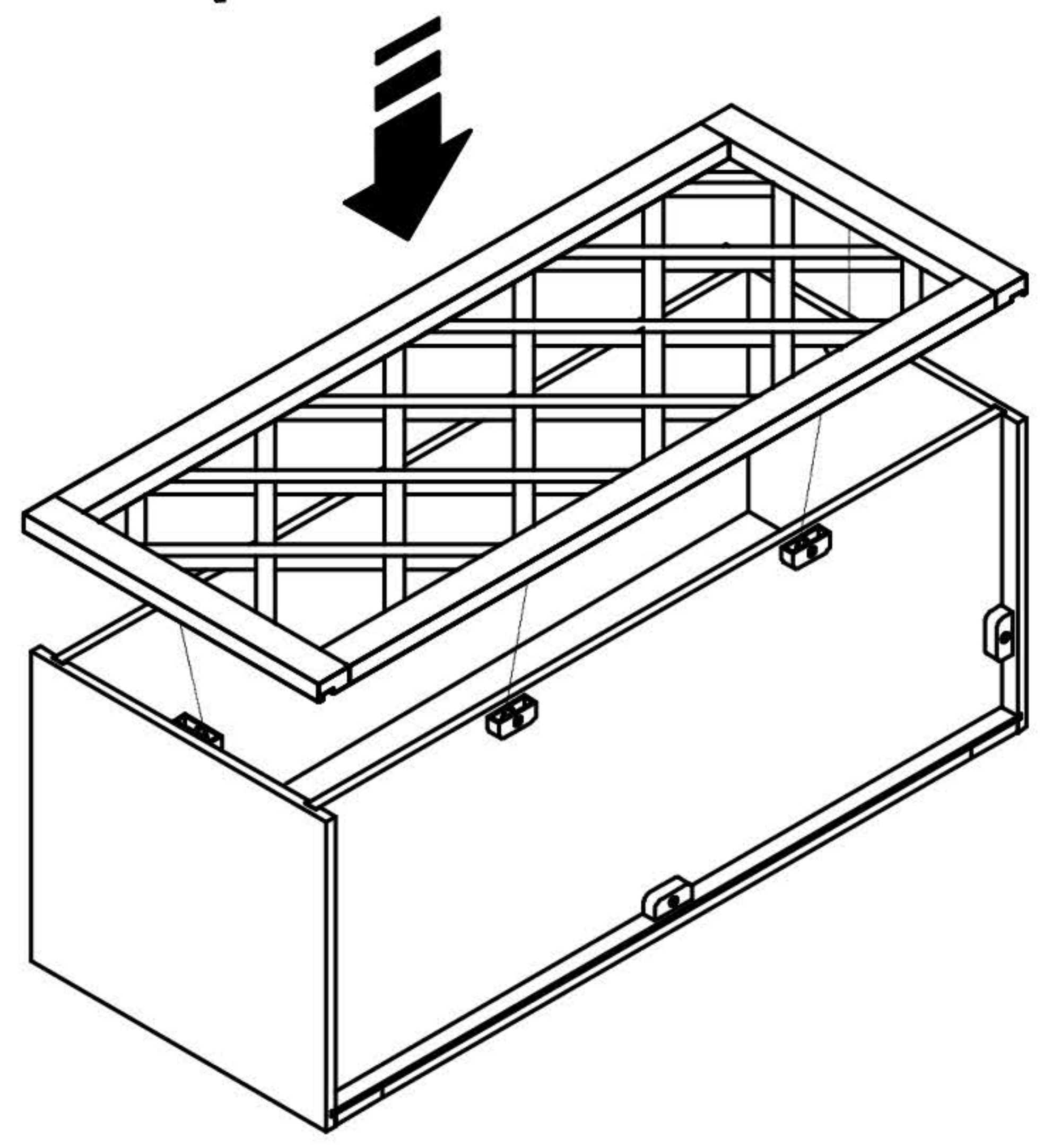
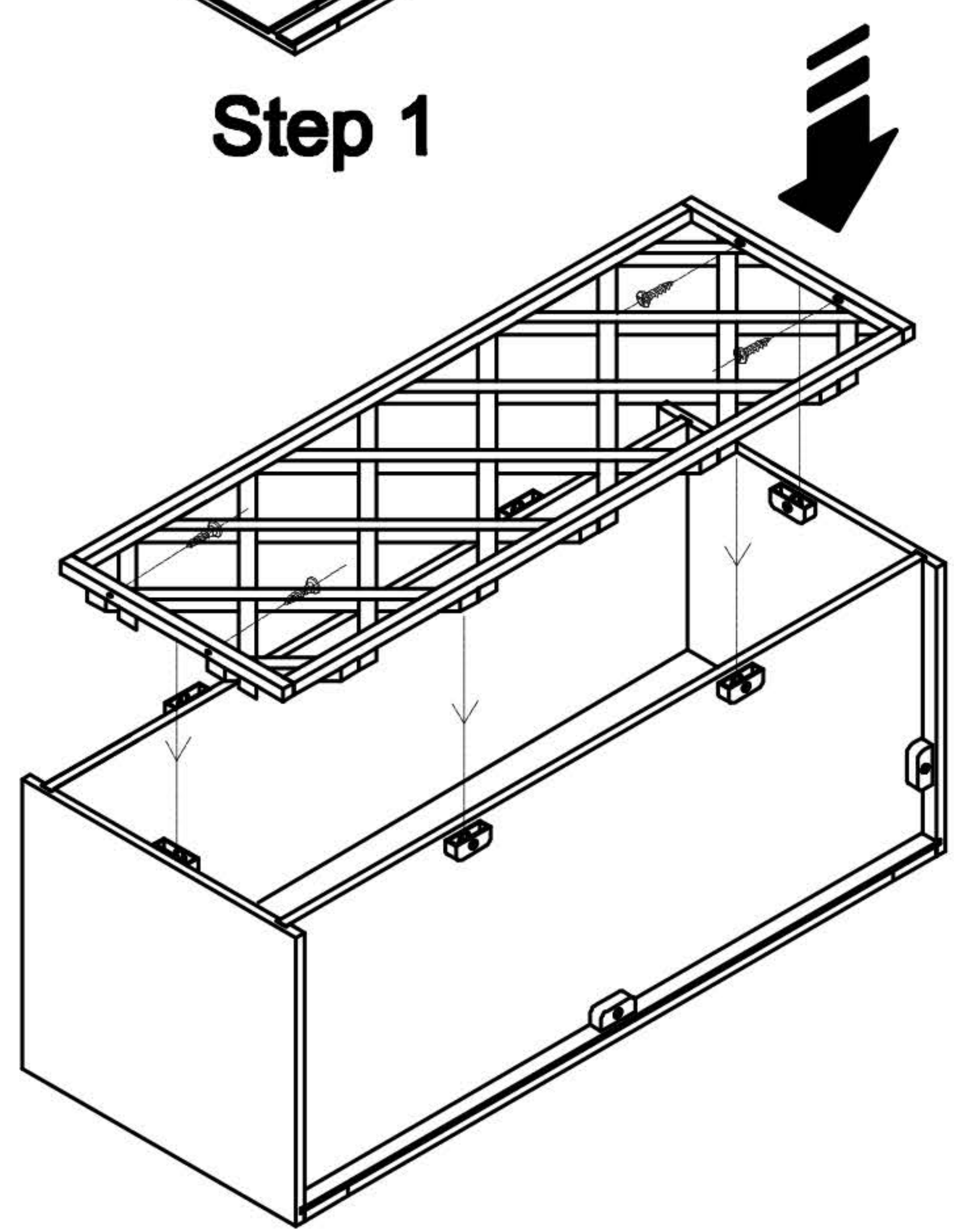
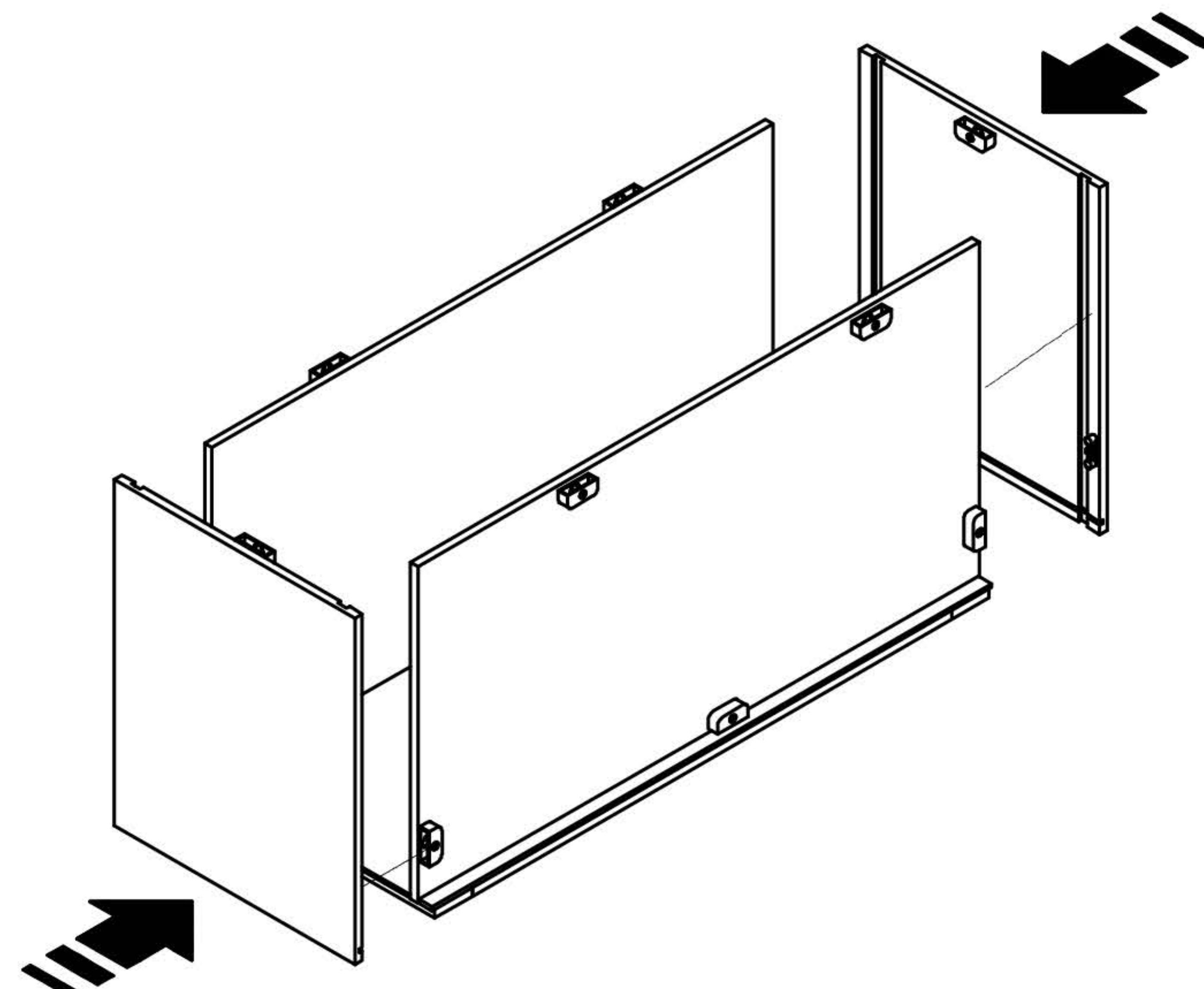
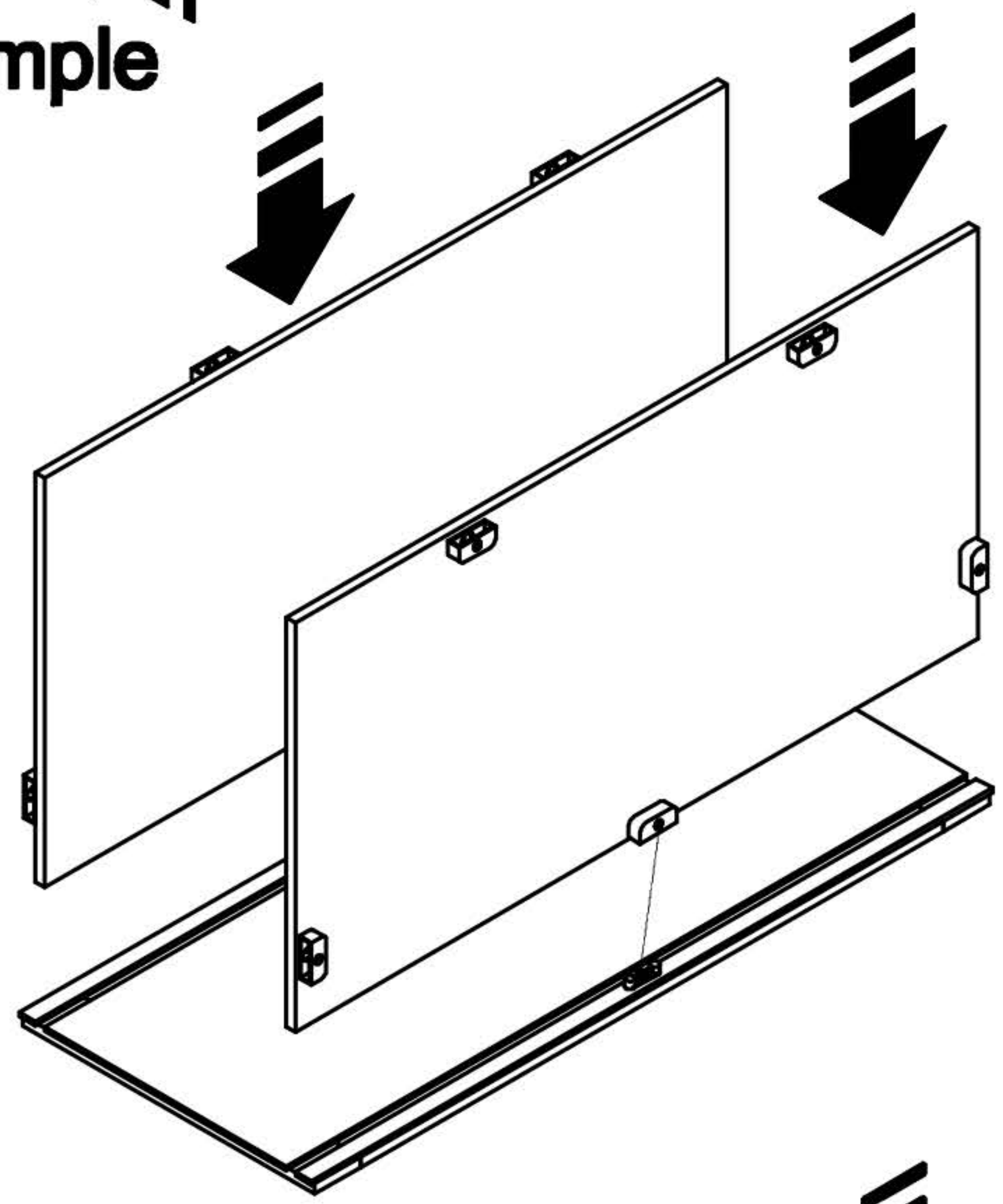
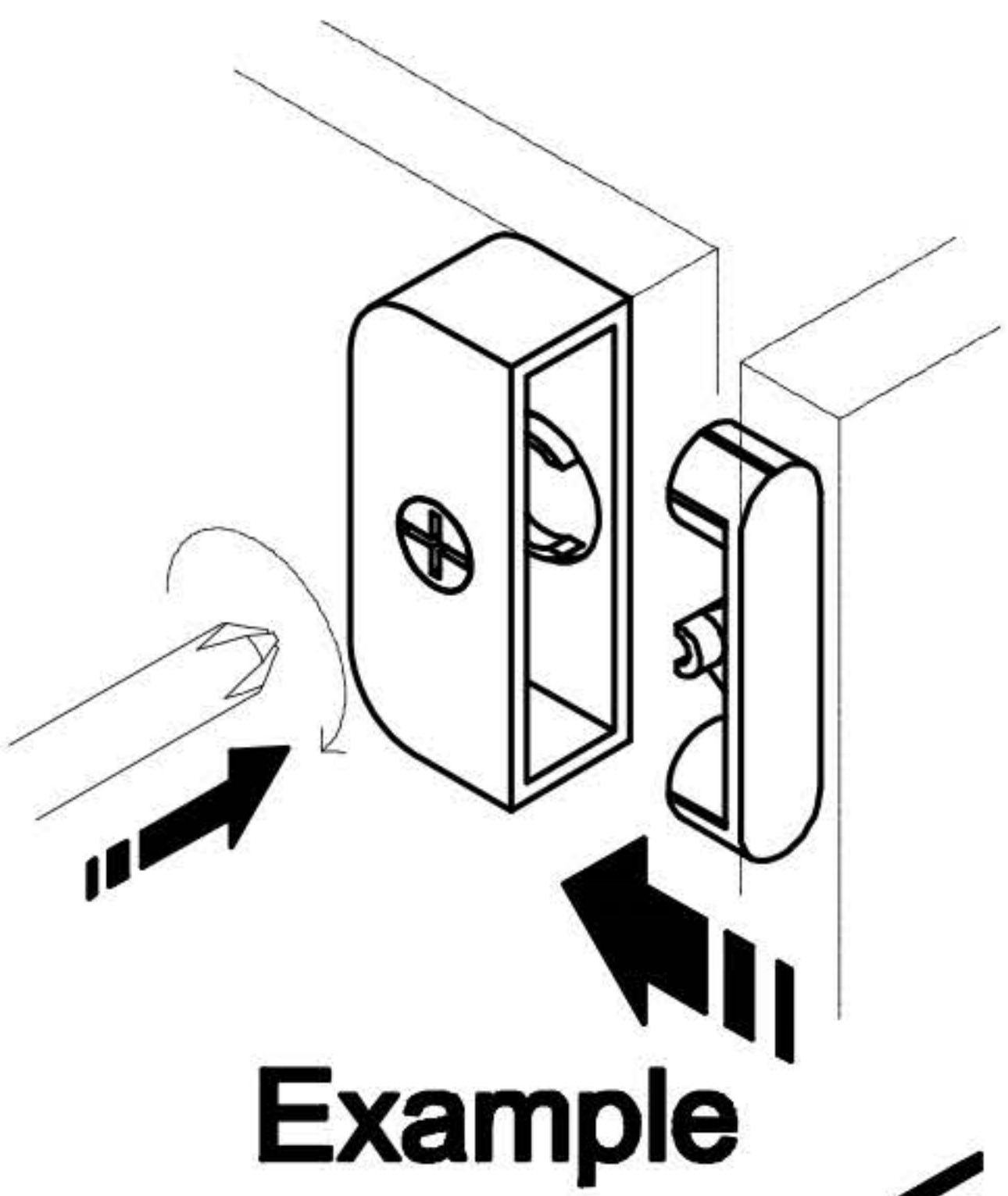
WM3342



# LORY CABINETS

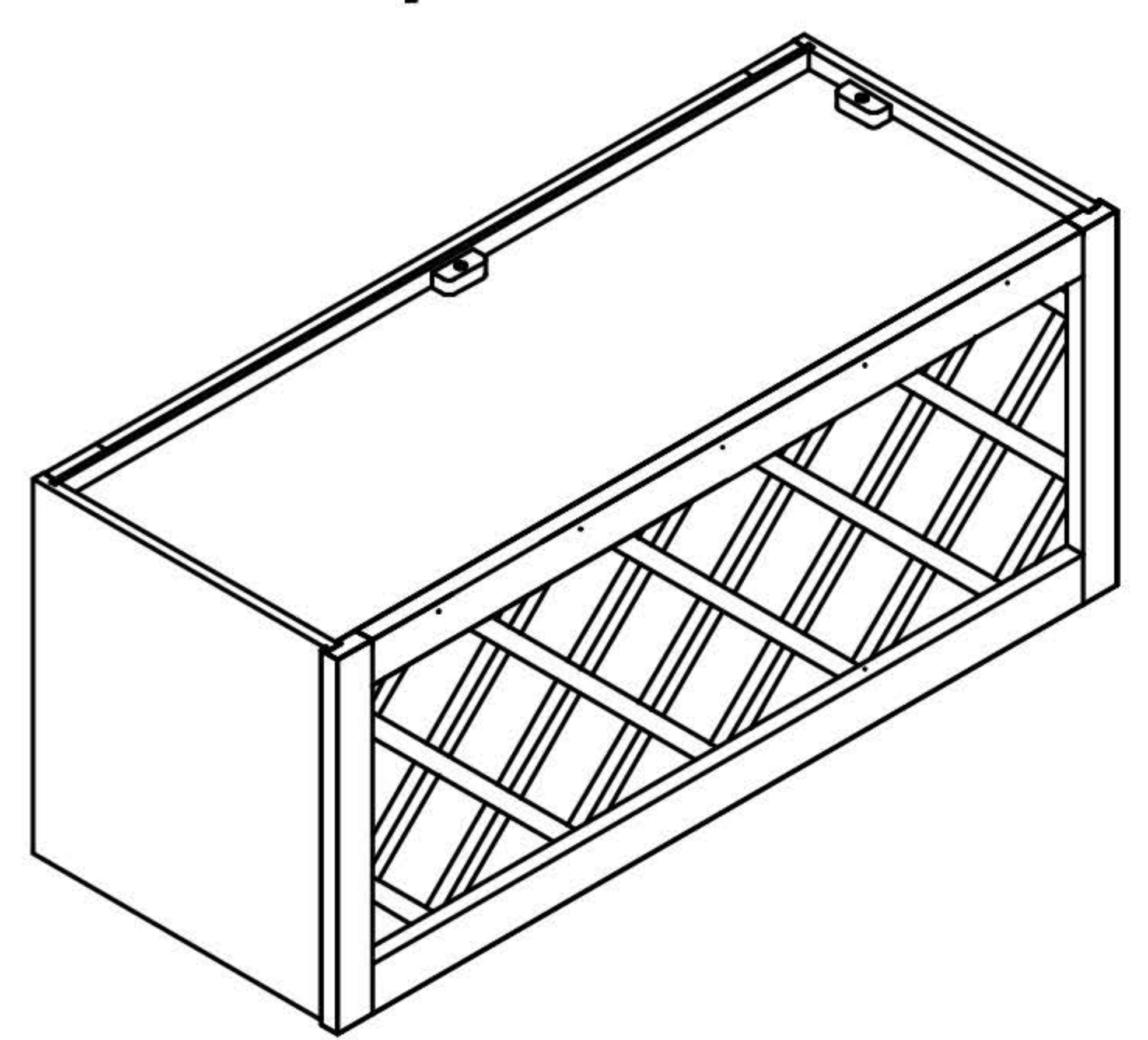
## Mocha Shaker Pg. 47

WR3015, WR3615  
WR3018, WR3618



Step 3

Step 4

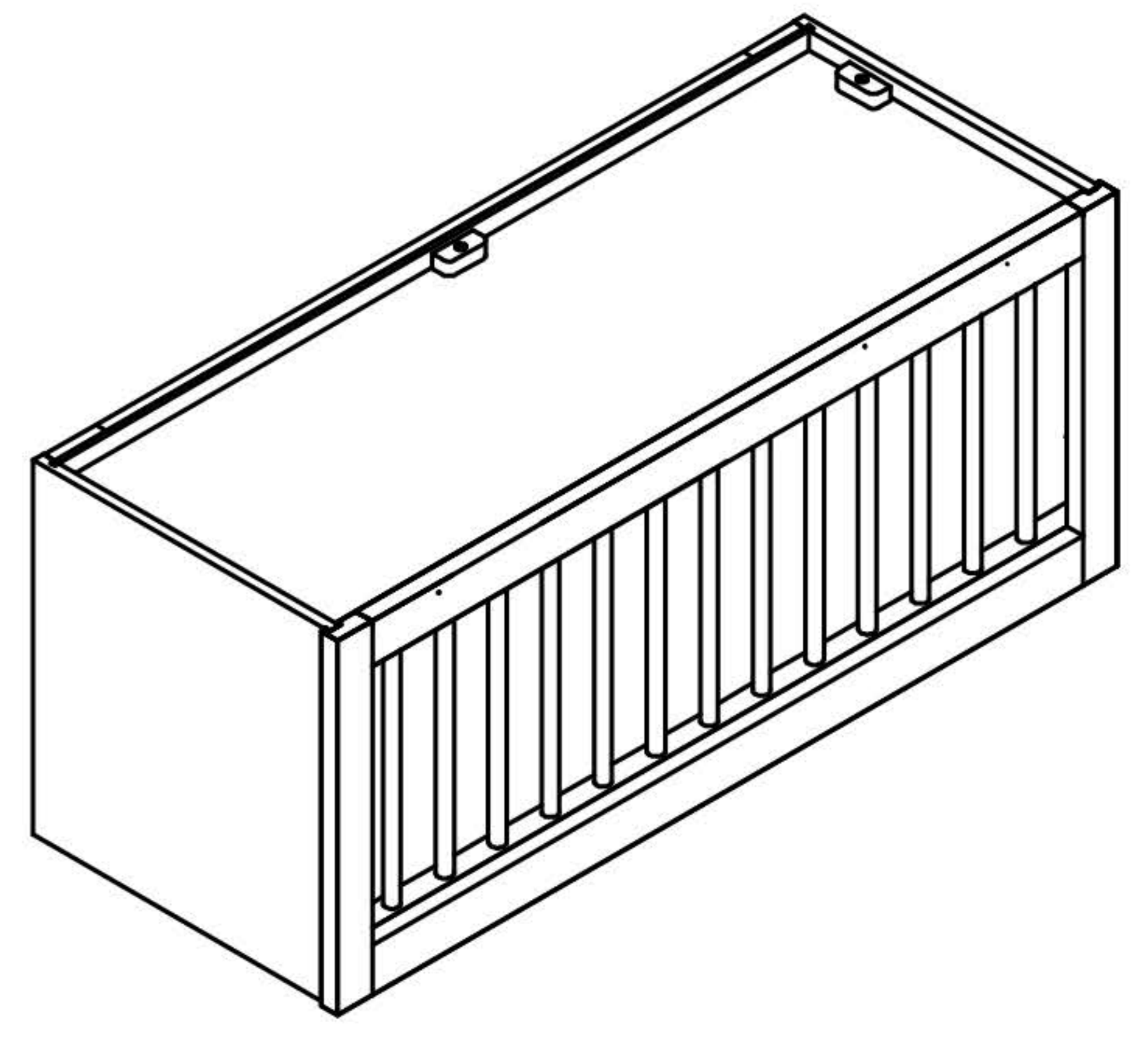
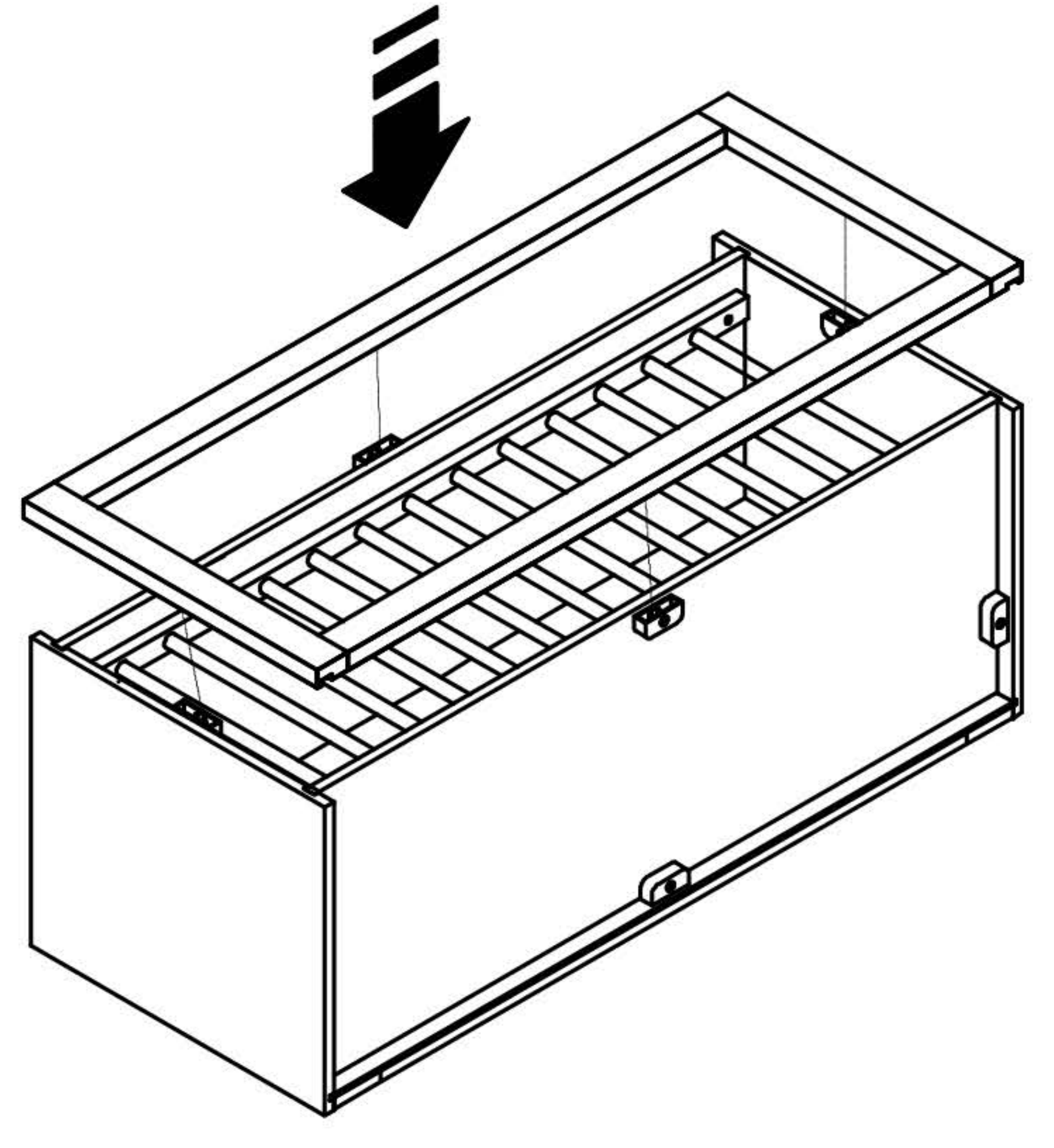
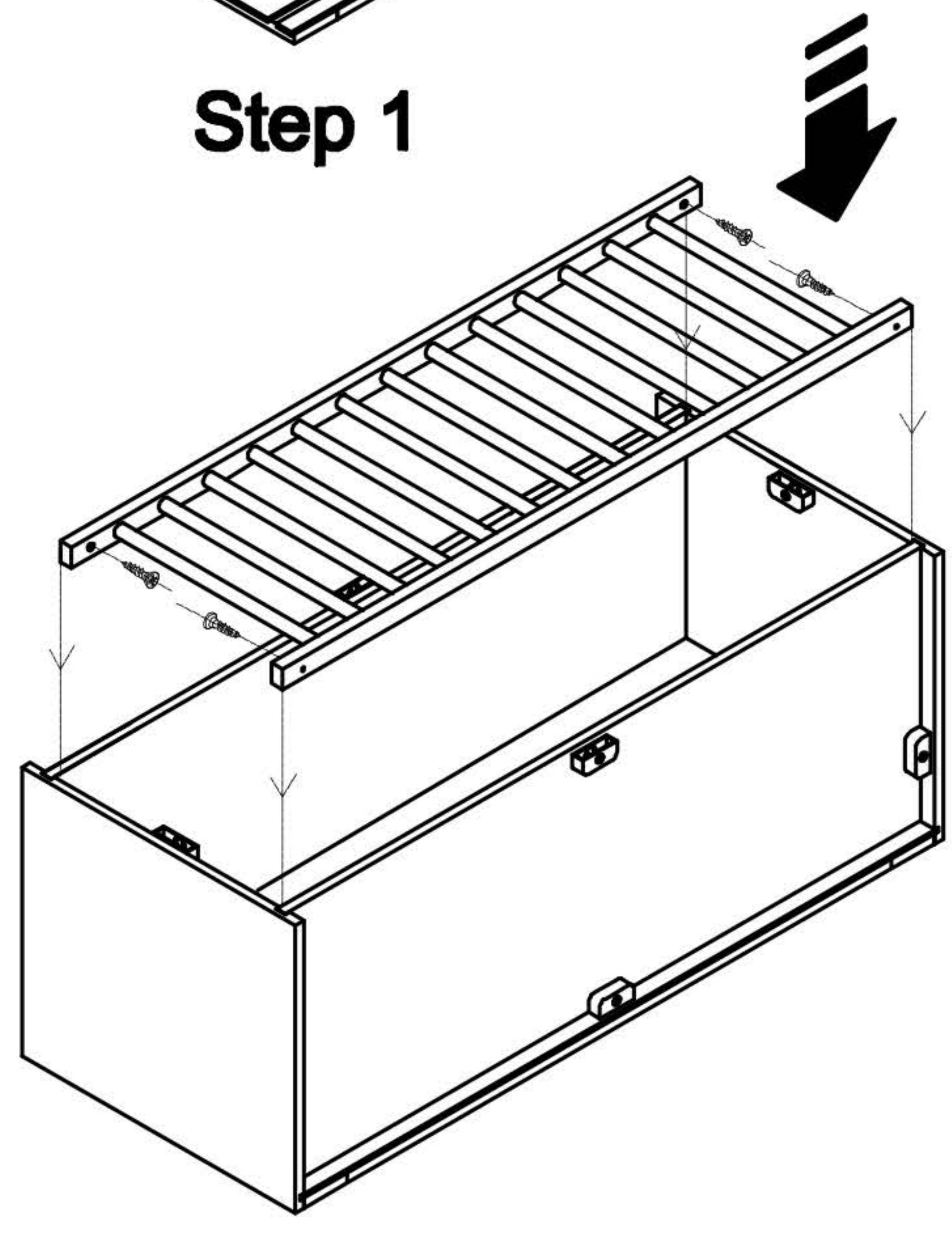
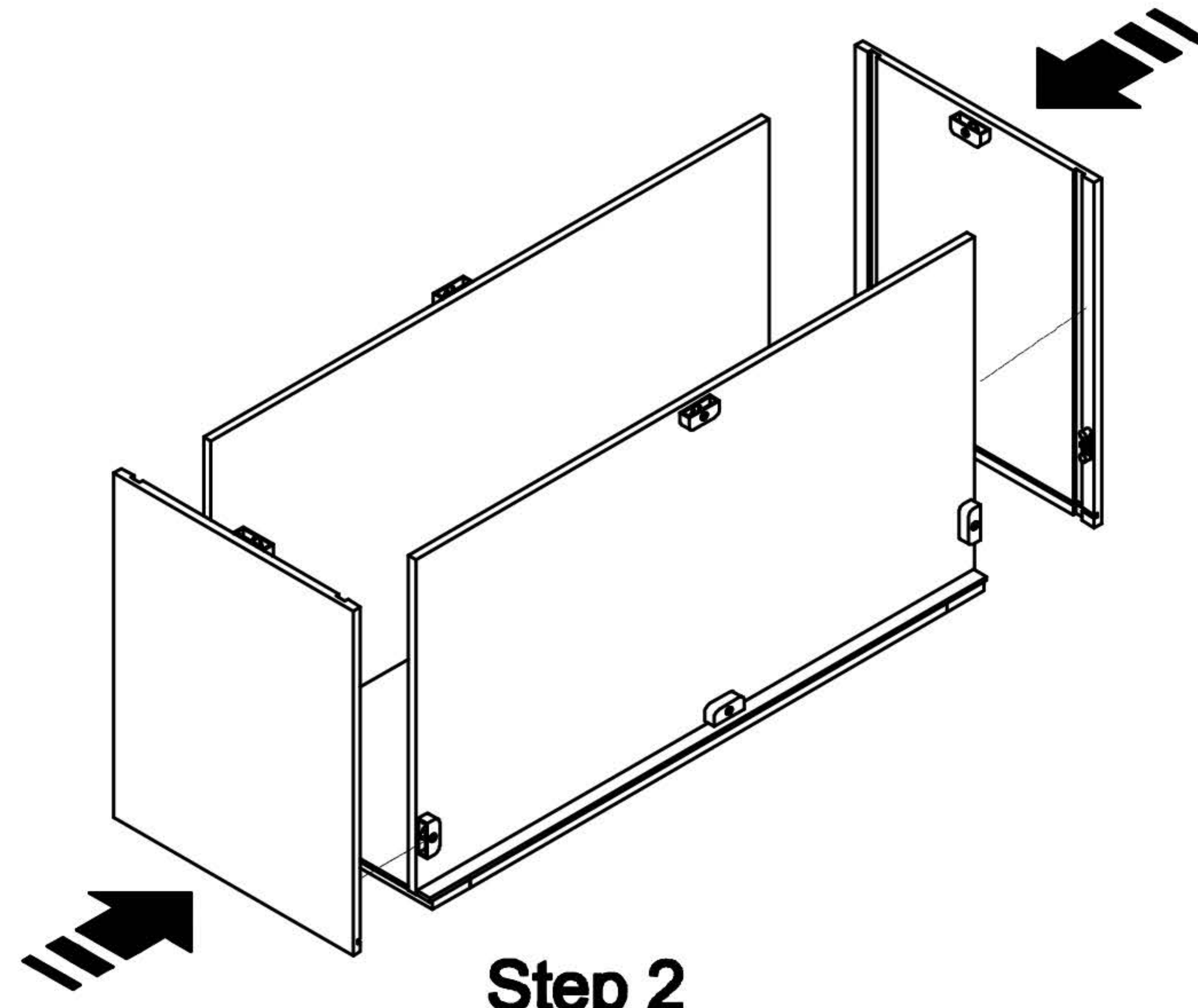
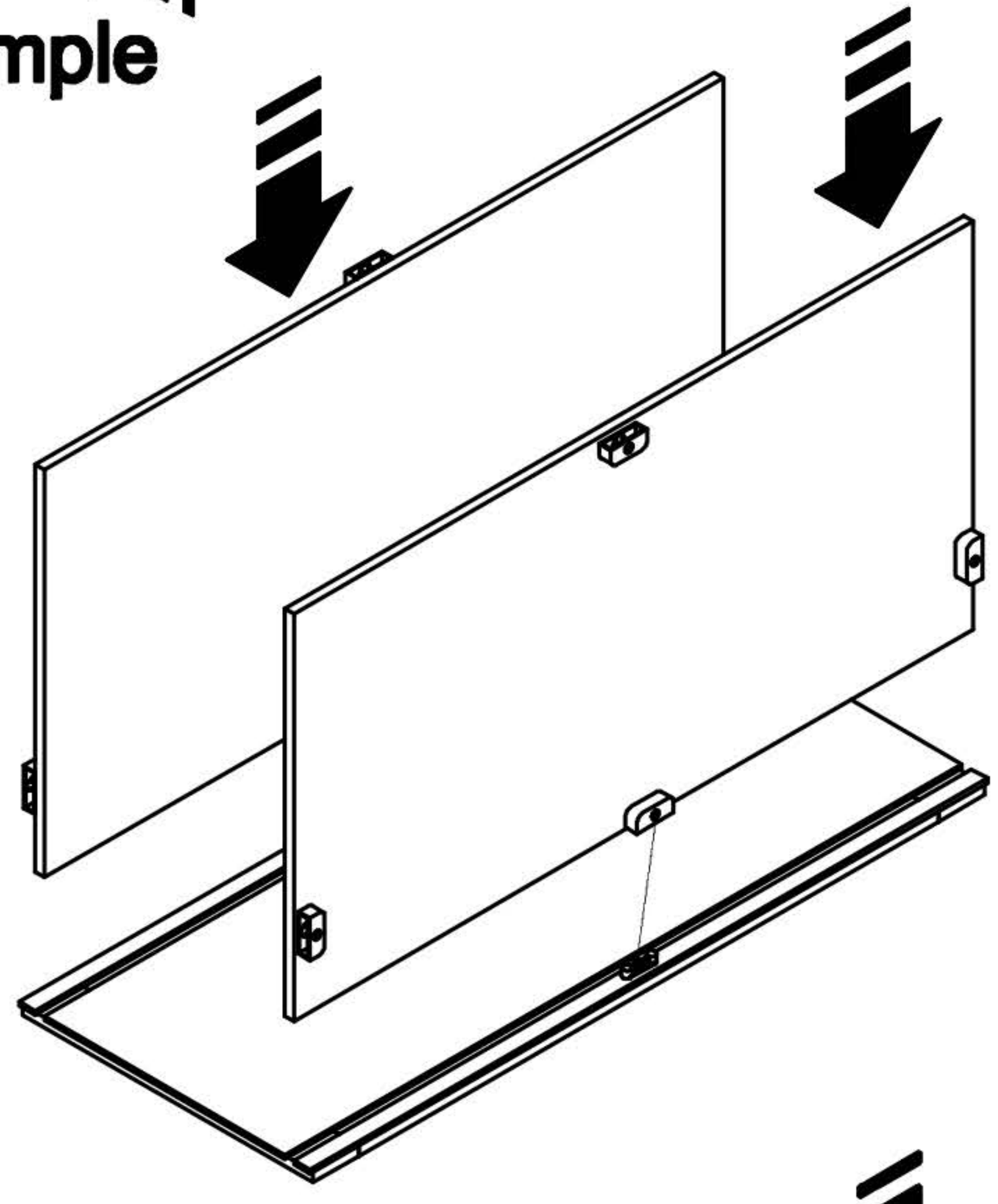
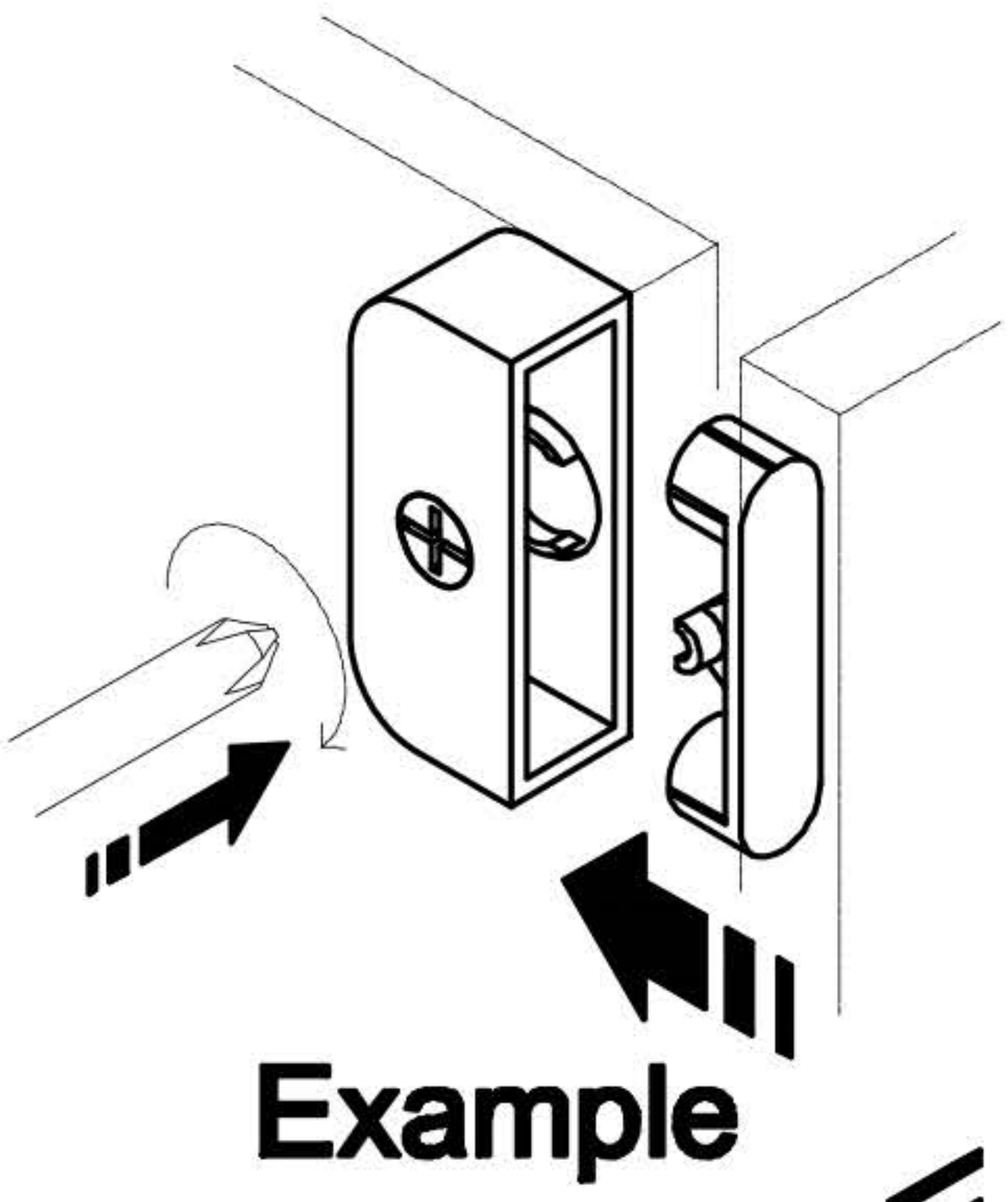


Step 5

# LORY CABINETS

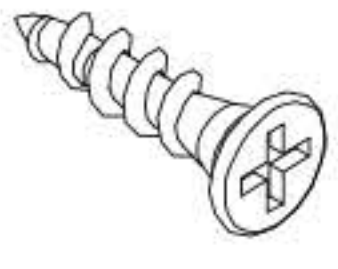
## Mocha Shaker Pg. 48

PR3015, PR3615

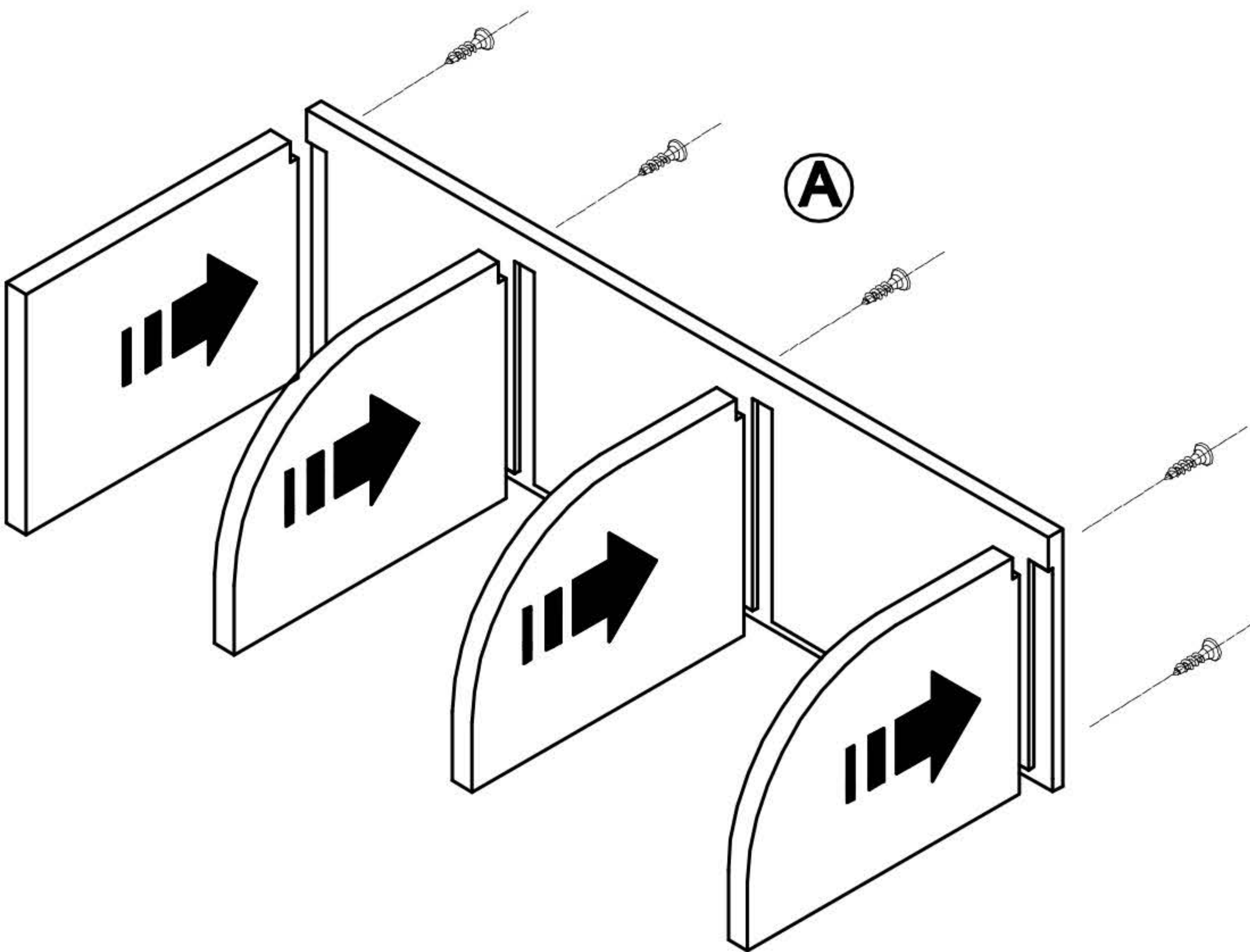


# LORY CABINETS

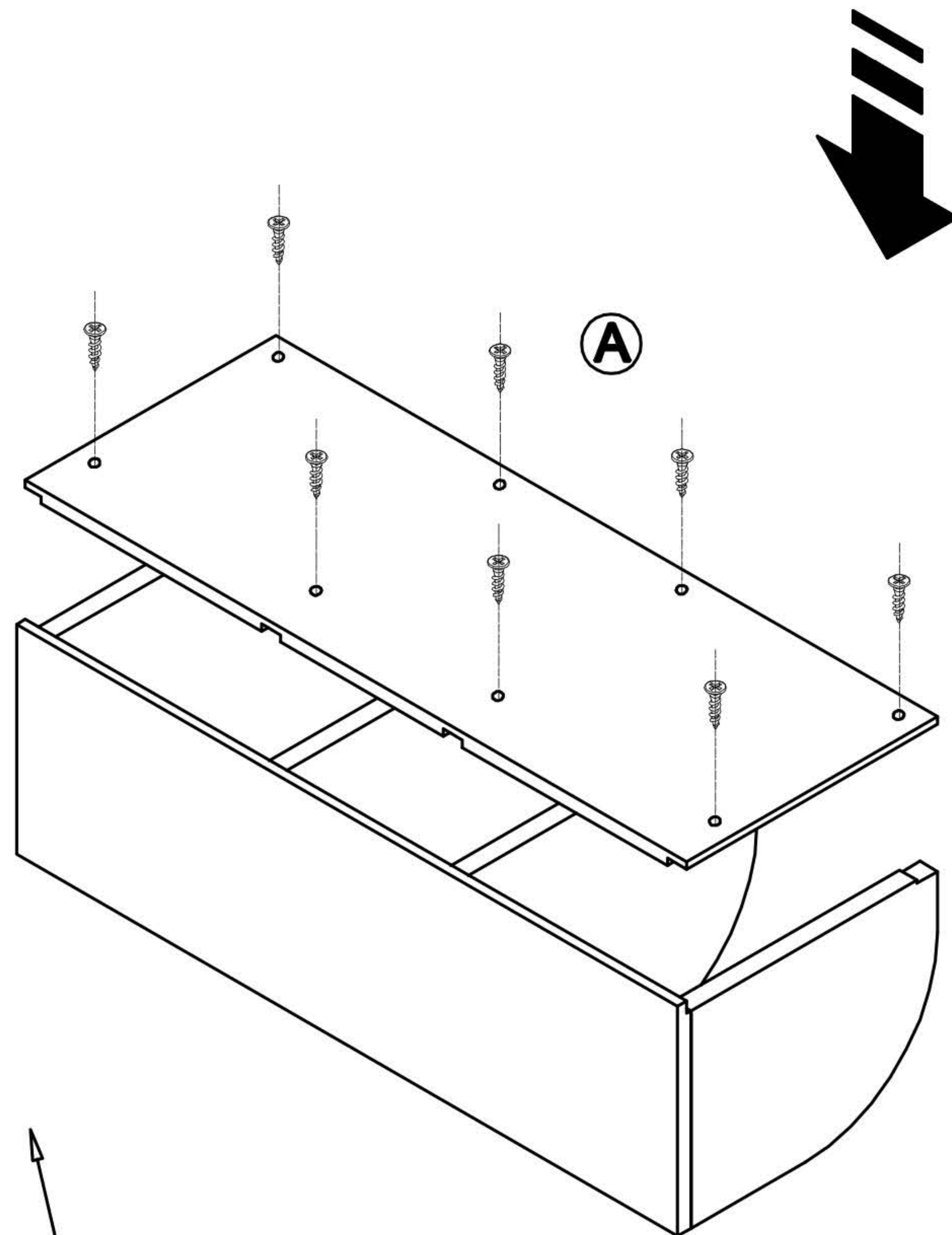
## Mocha Shaker Pg. 49

Code	A
Icon	1" 
Number	16PS

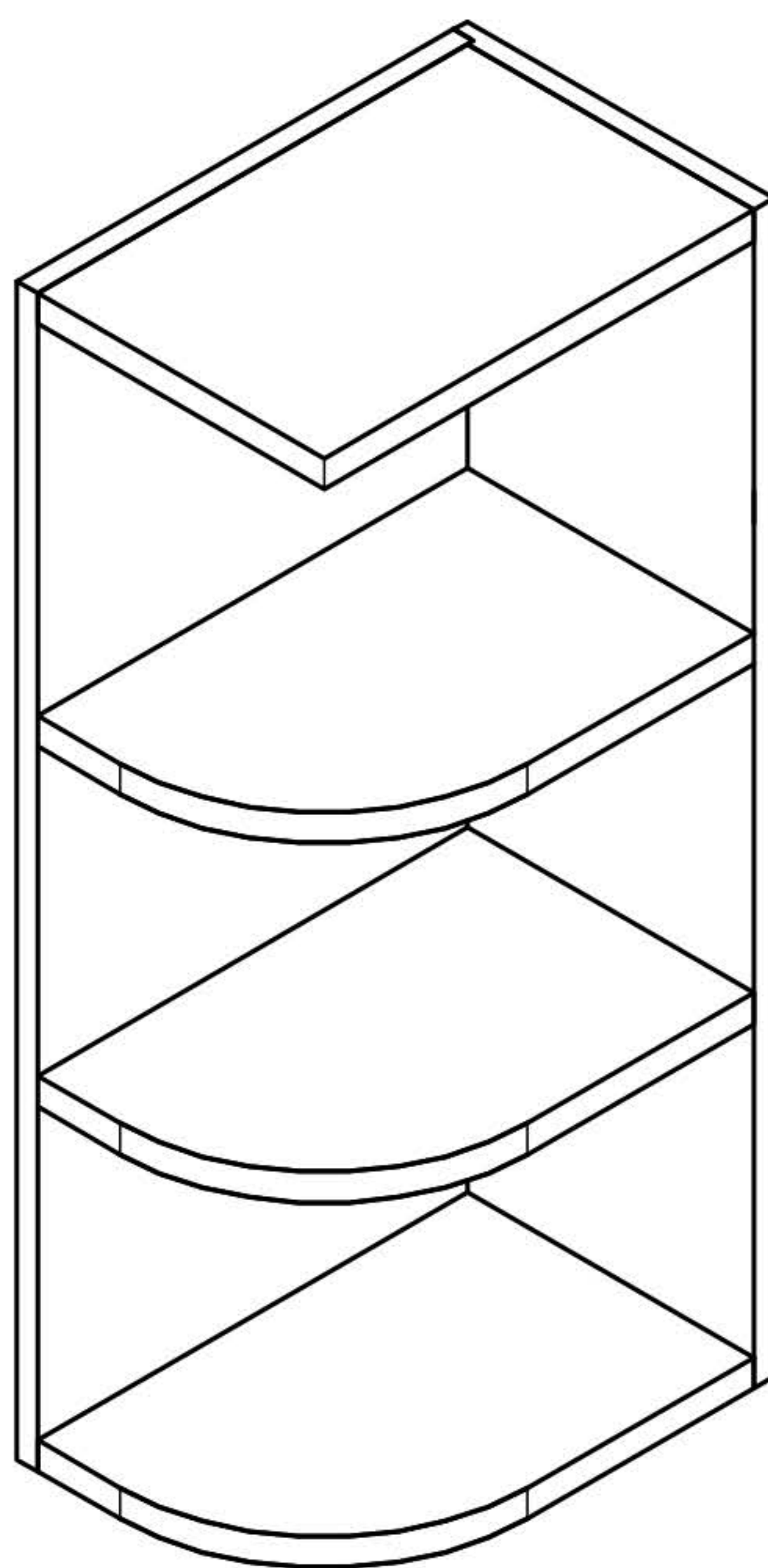
WES0930, WES0936



**Step 1**



**Step 2**

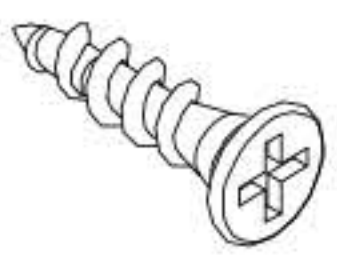


**Step 3**

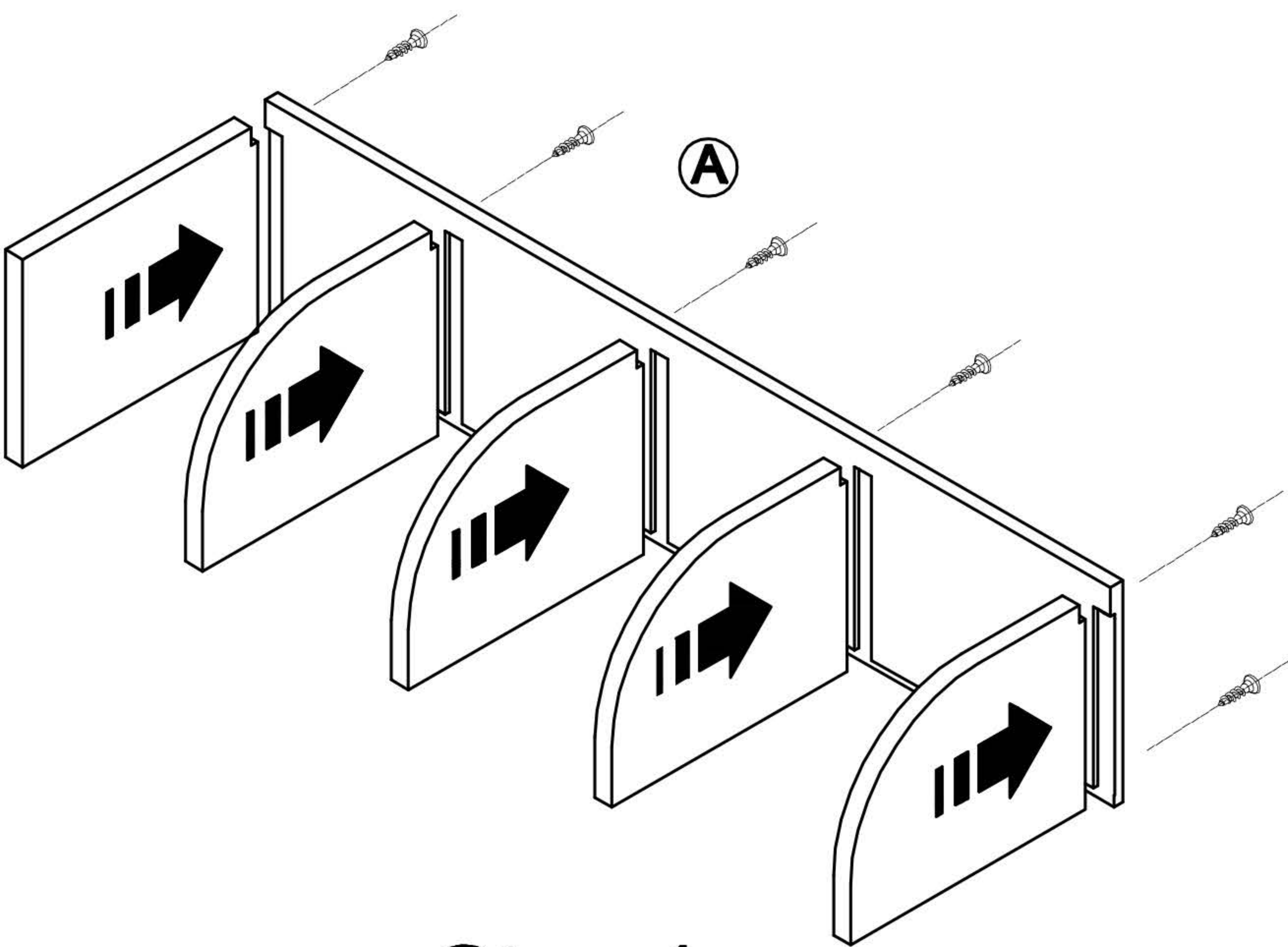
Upper and lower  
plates change is right

# LORY CABINETS

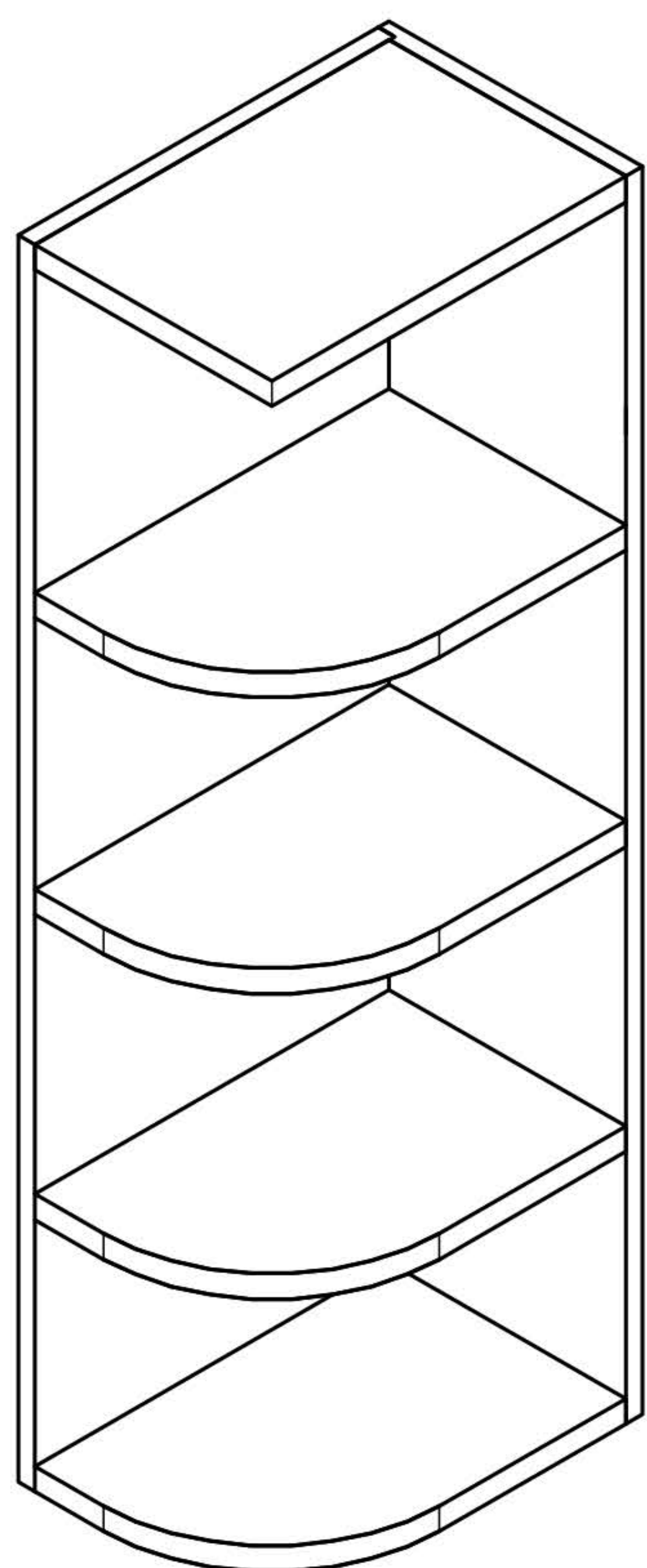
## Mocha Shaker Pg. 50

Code	A
Icon	1" 
Number	16PS

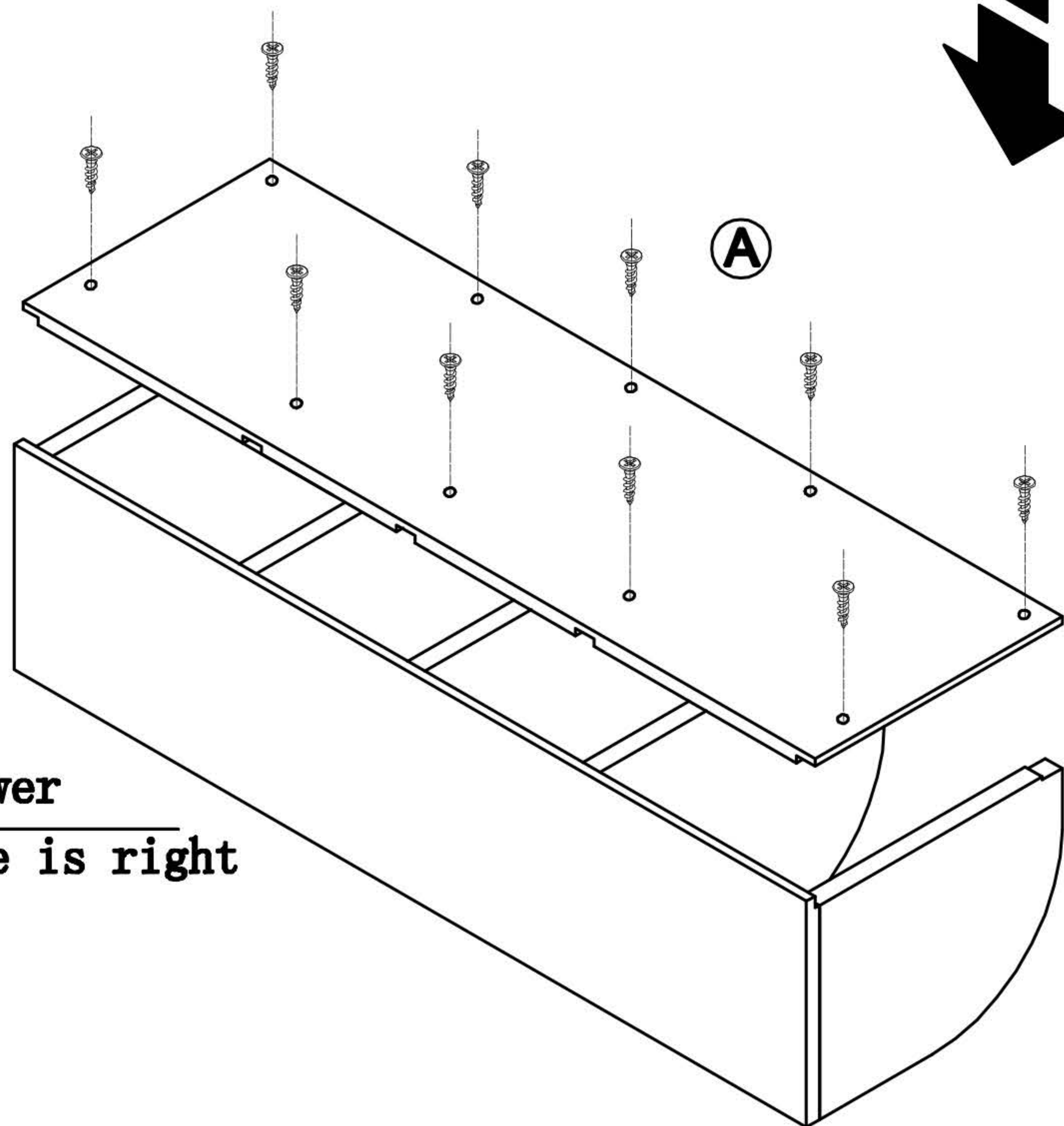
WES0942



Step 1



Step 3

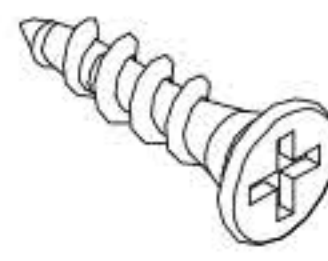


Step 2

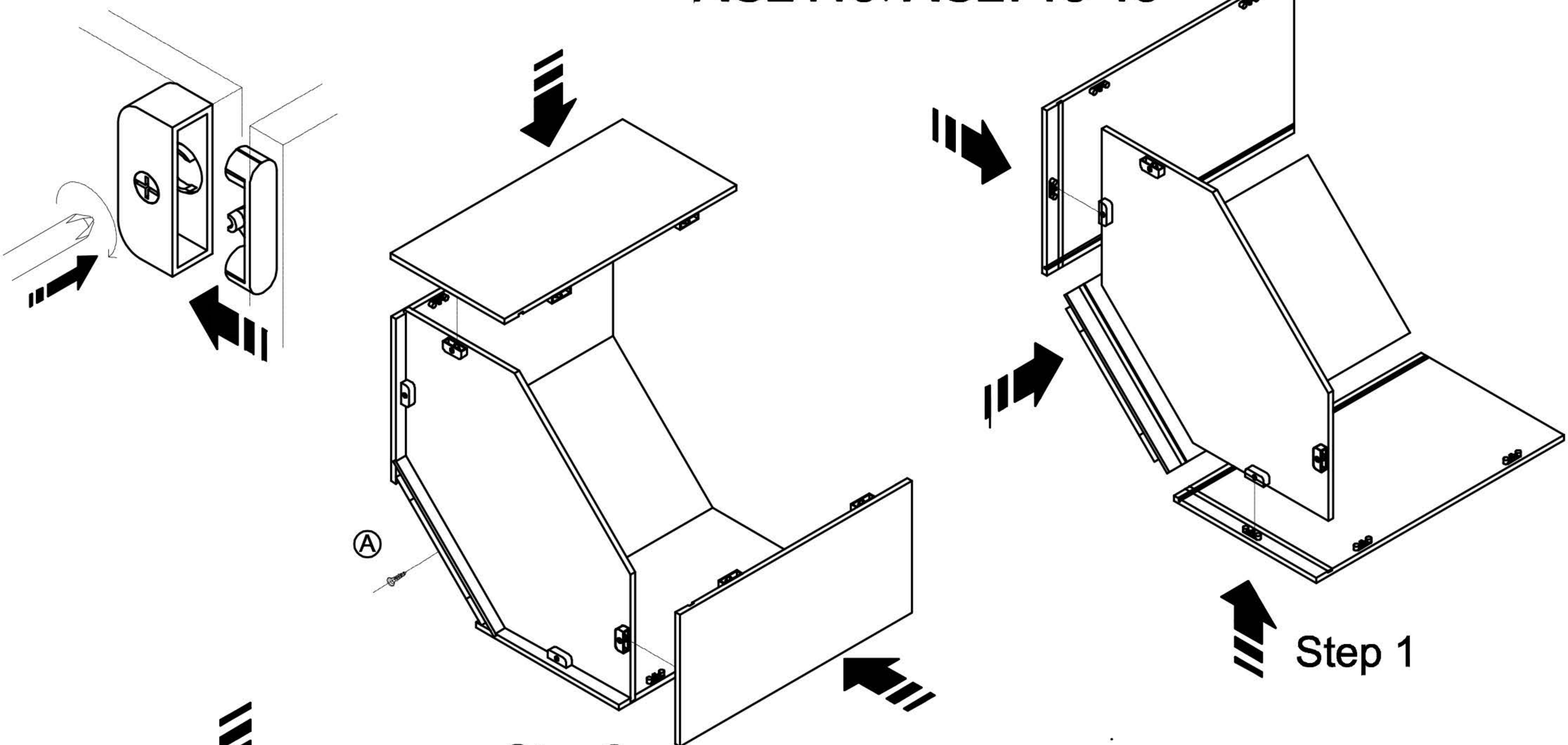
Upper and lower  
plates change is right

# LORY CABINETS

## Mocha Shaker Pg. 51

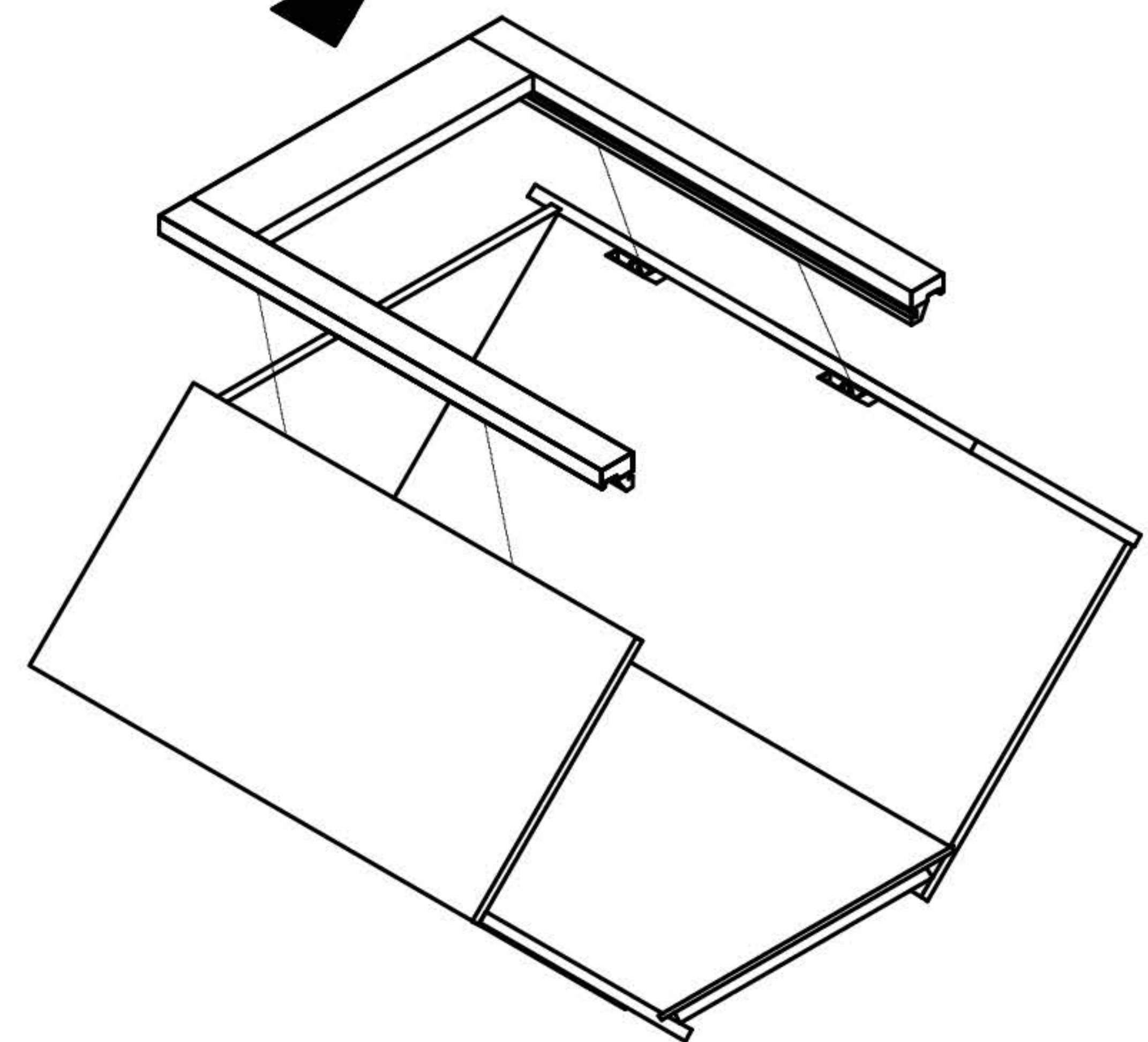
Code	A
Icon	
Number	7PS

AG2418, AG2718-15

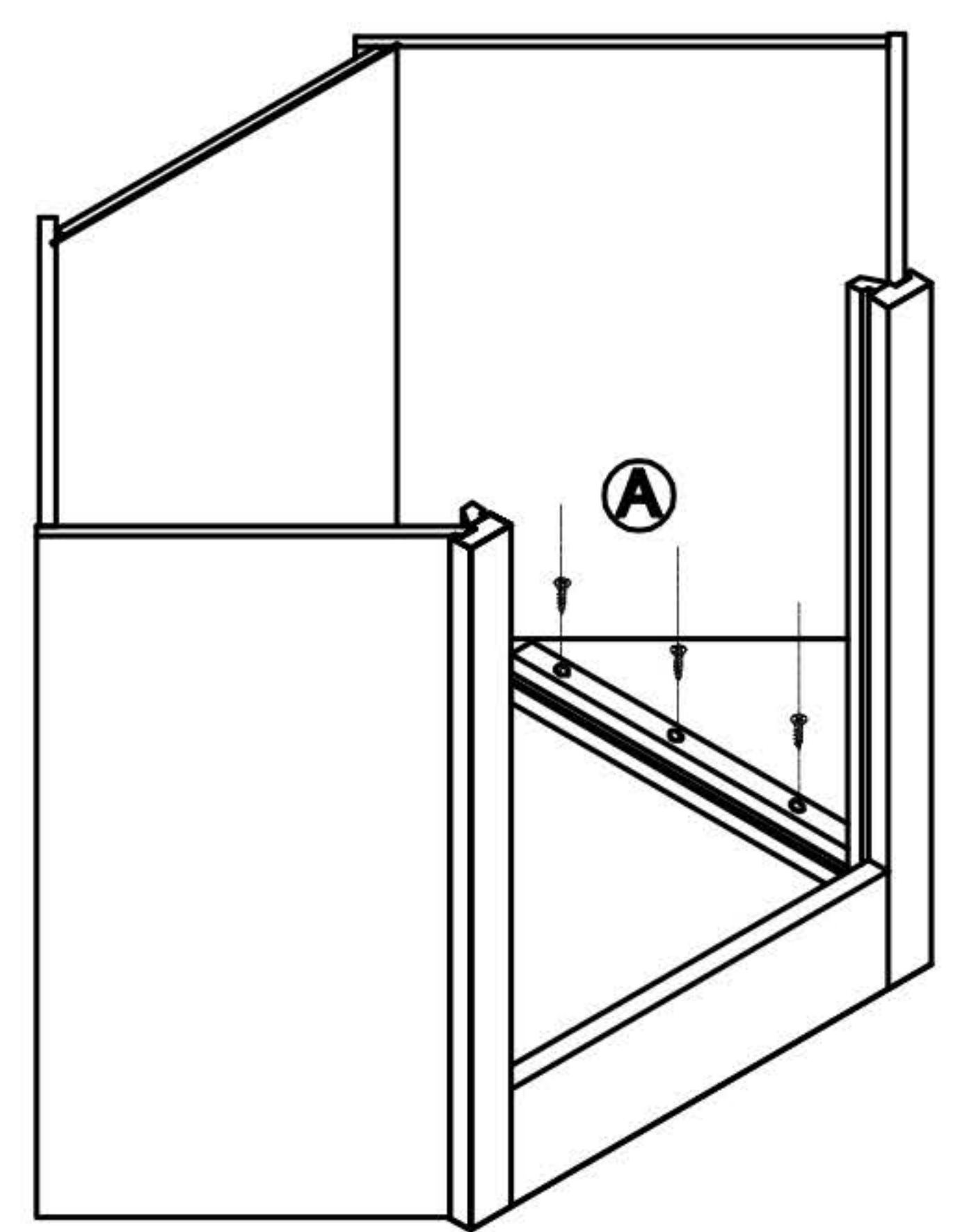


Step 1

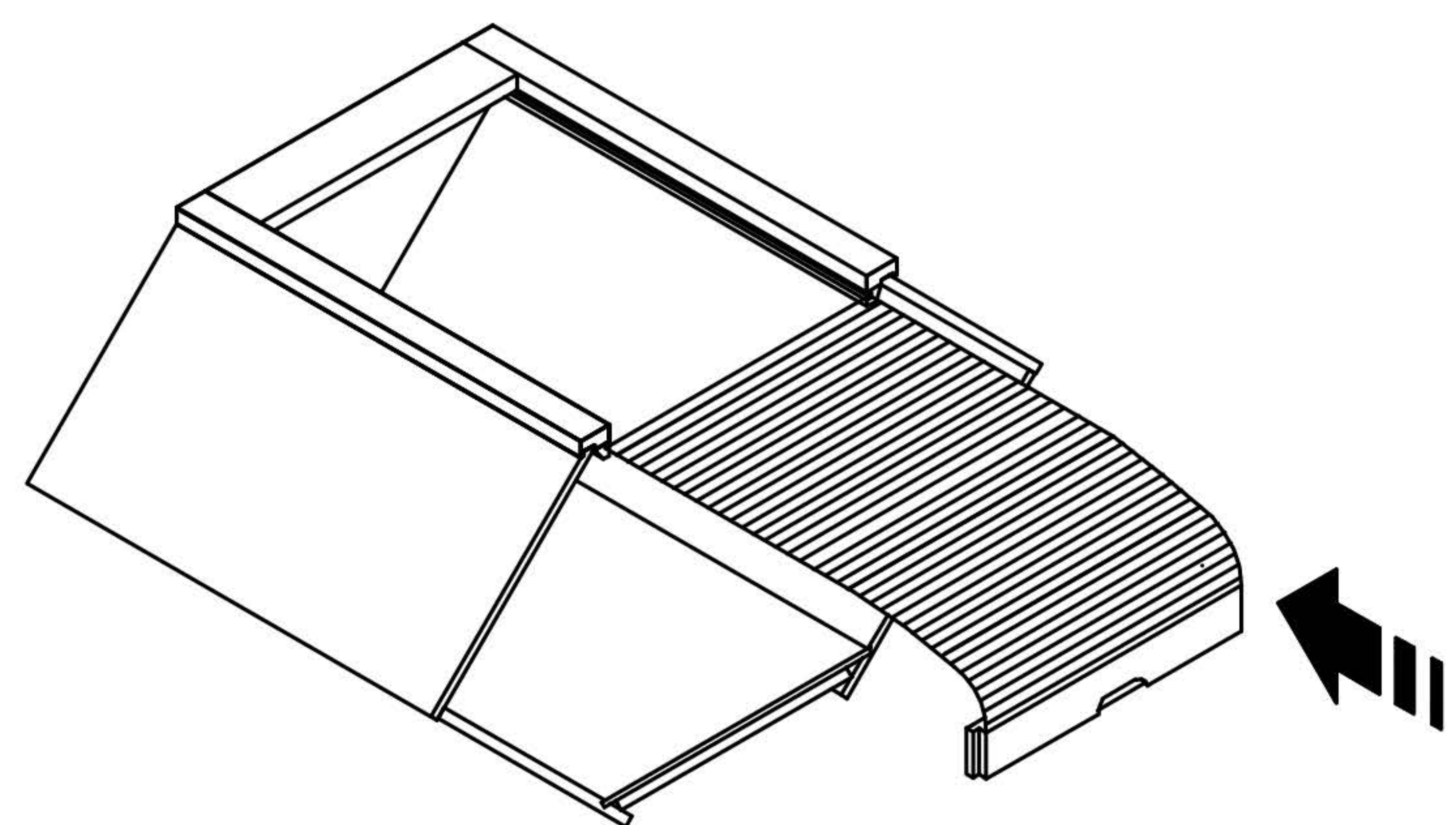
Step 2



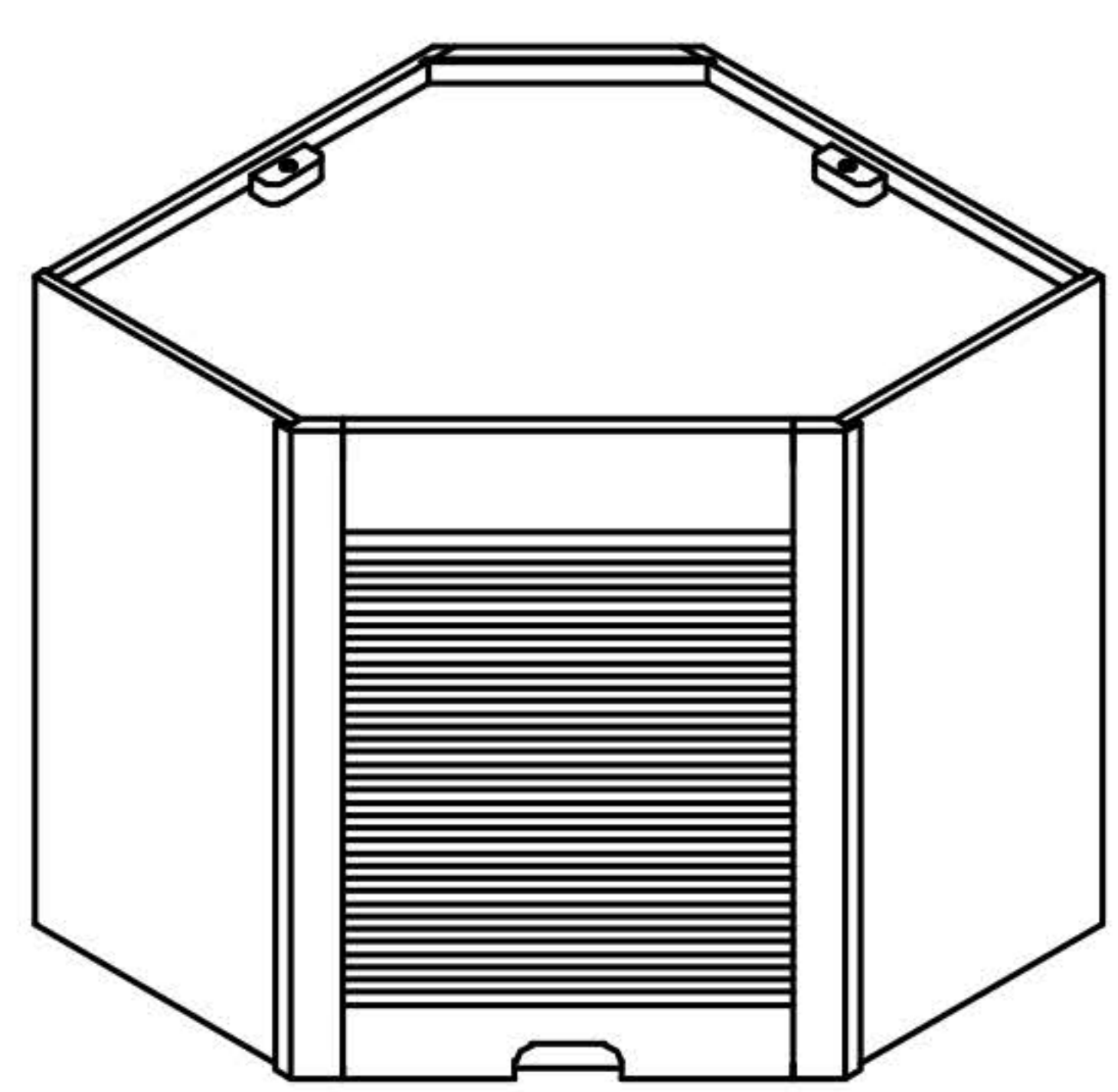
Step 3



Step 4



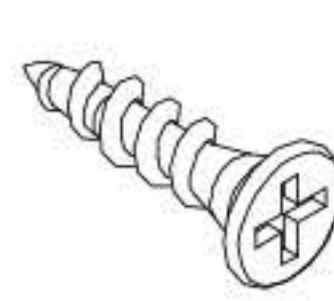
Step 4



Step 5

# LORY CABINETS

## Mocha Shaker Pg. 52

Code	A
Icon	
Number	4PS

**AG1818**

